

1 No TO THIS
VIEWED EXTERNALLY

VIEWED INTERNALLY

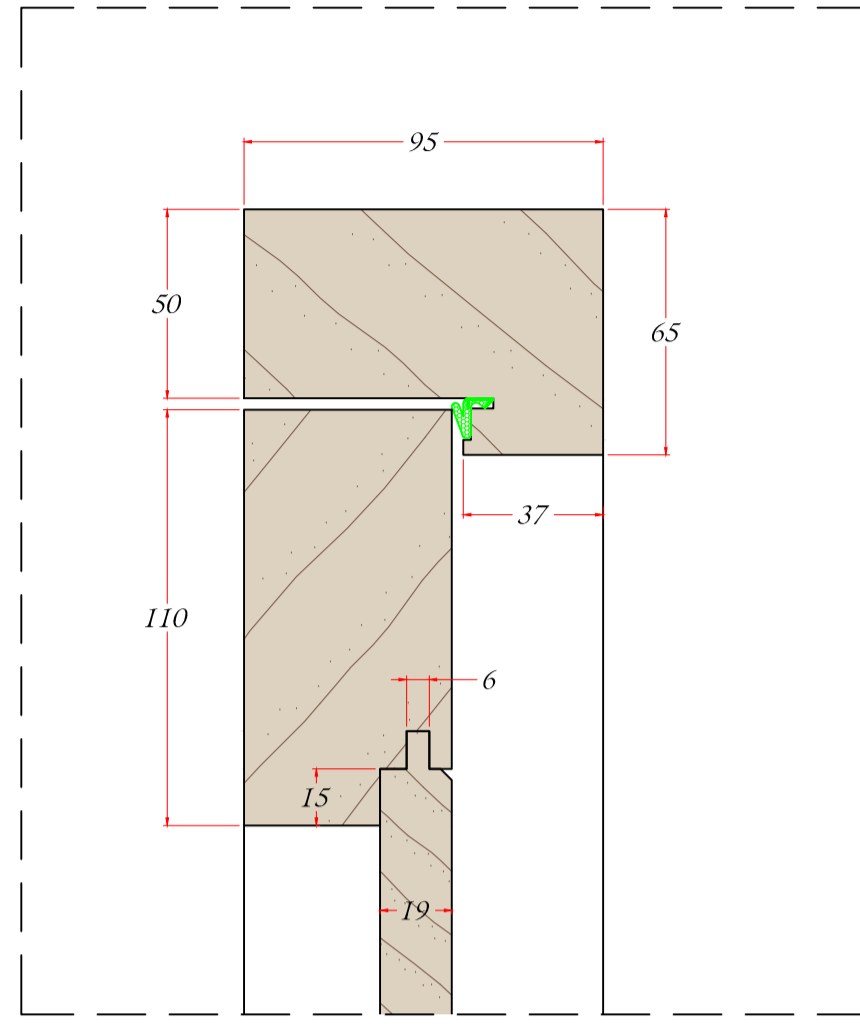
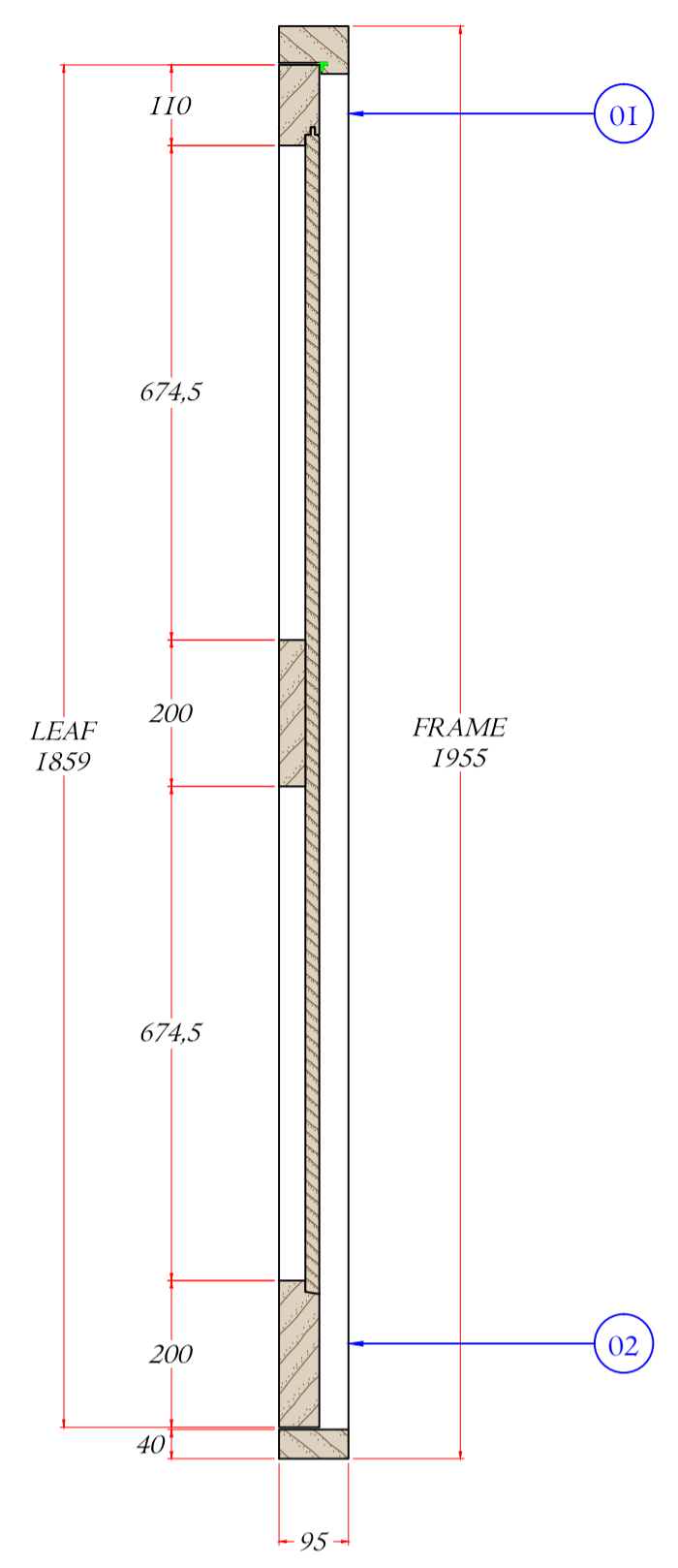
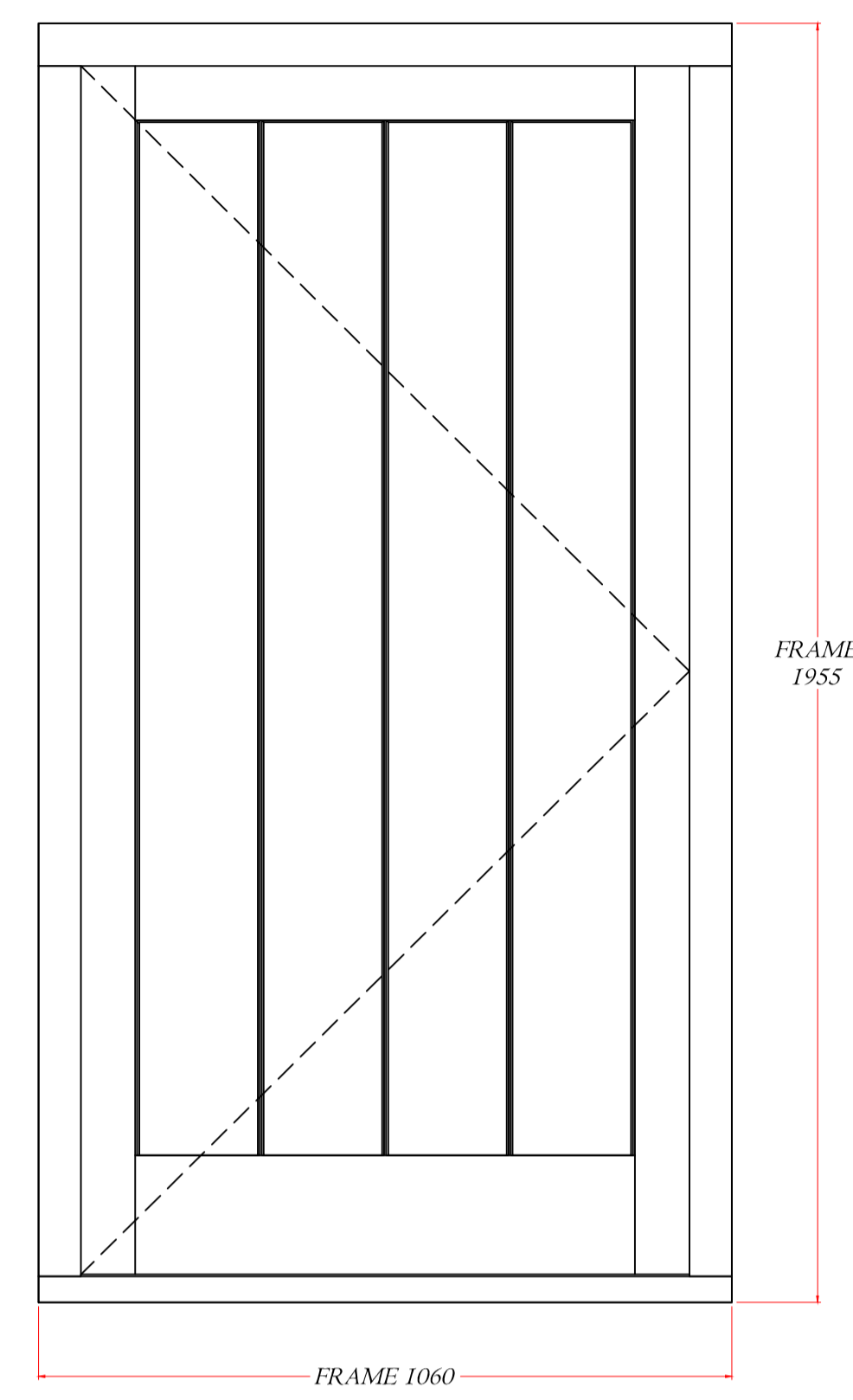


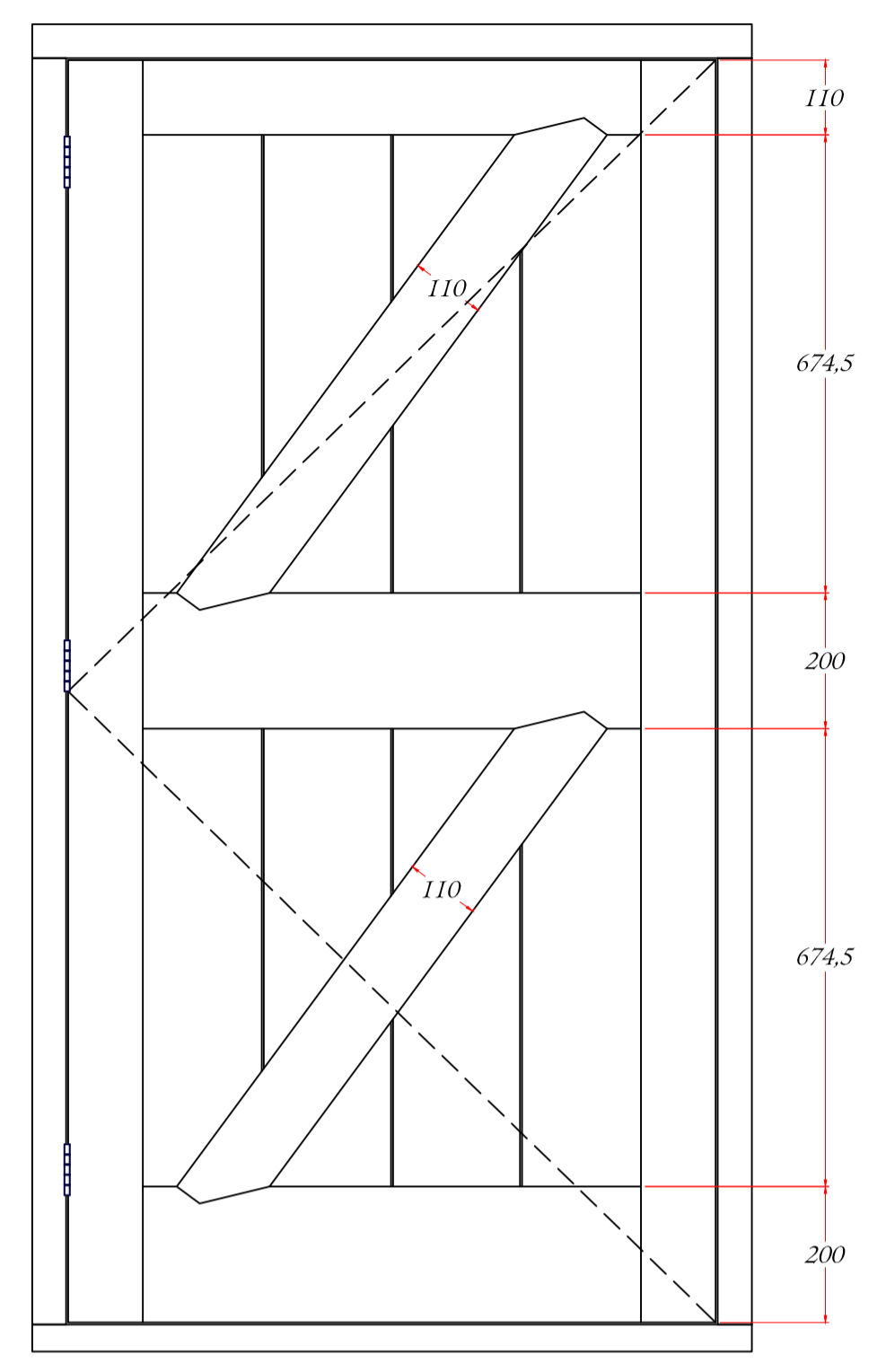
FIG.01
Scale 1:2



A - A



EXT ELEVATION
Scale 1:10



INT ELEVATION
Scale 1:10

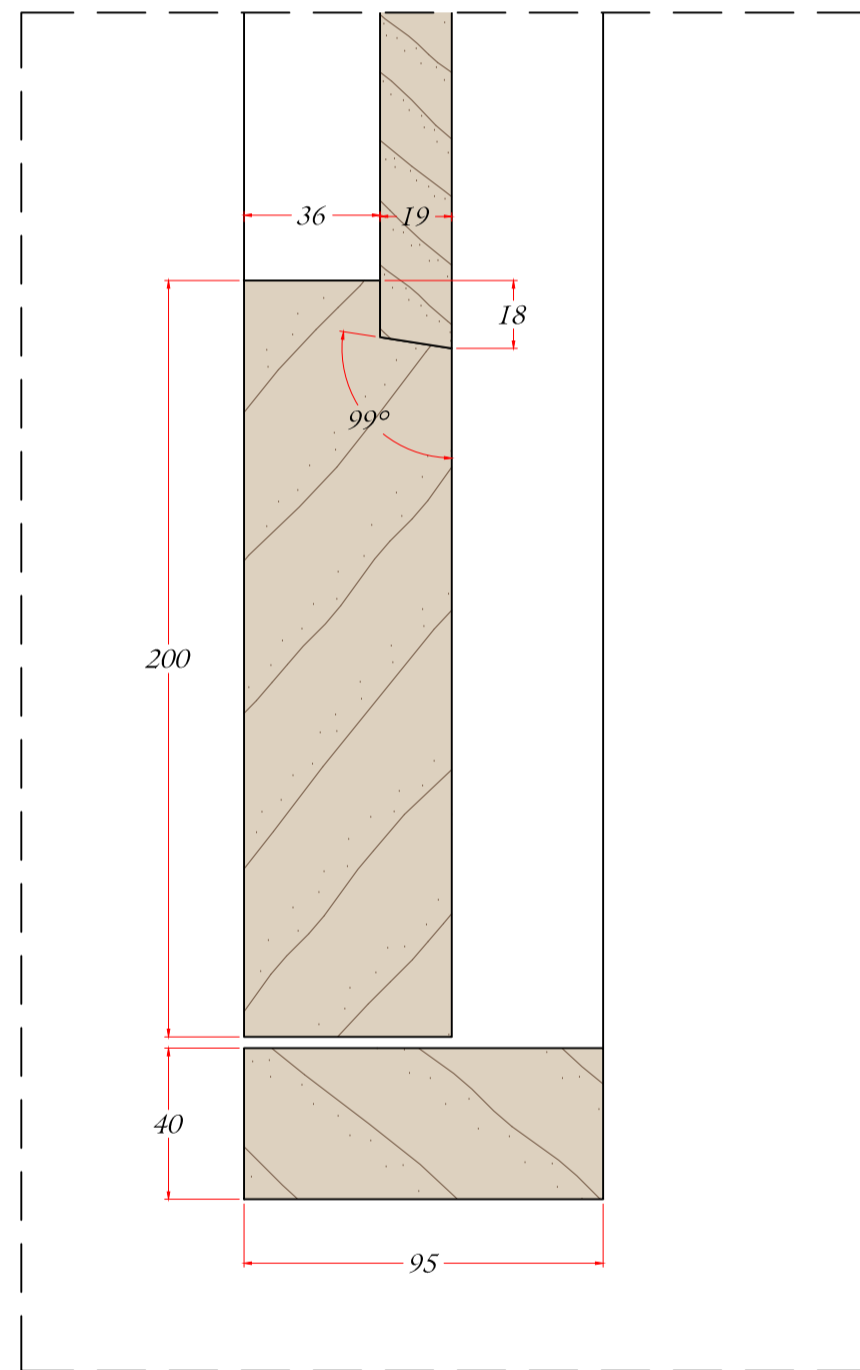
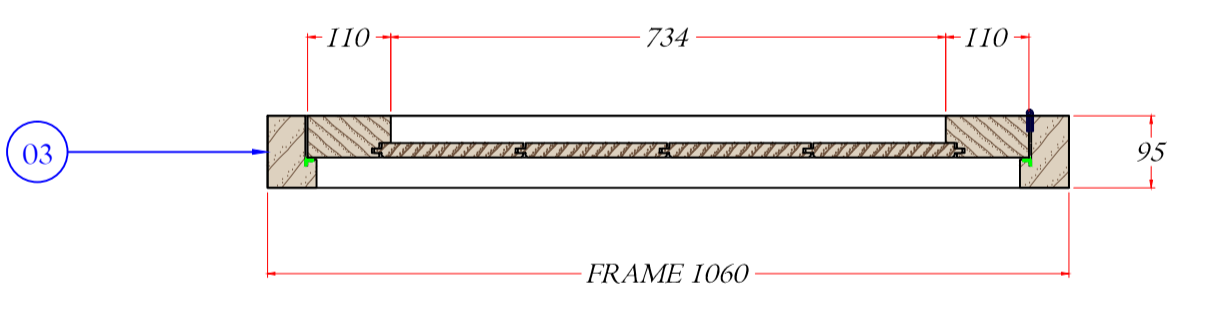


FIG.02
Scale 1:2



B - B

A - A

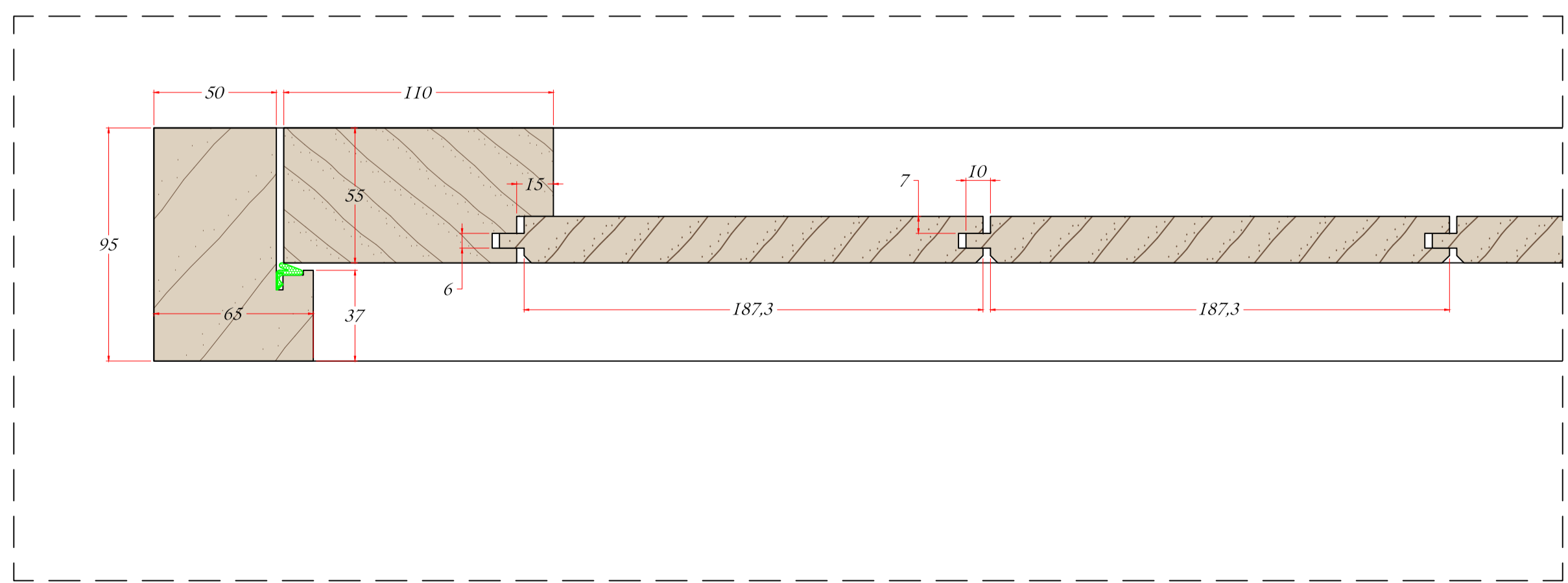


FIG.03
Scale 1:2

- NOTES
1. This drawing has been prepared to cover matters which are the requirements of the Company listed below and do not constitute a full specification of the work.
 2. All dimensions, details, components, and assemblies are to be verified by the Contractor PRIOR to construction, manufacture or supply.
 3. Any conflicting information, errors or omissions shown or implied on this drawing shall be referred to the Contractor PRIOR to construction or ordering of materials.
 4. Do not scale this drawing.
 5. This drawing is the Copyright of Joinery Cad Solutions Ltd and may not be copied in part or whole without written permission.

- REVISIONS :
- 13.12.2023
 - FIRST ISSUE FOR APPROVAL

- SPECIFICATIONS :
- MATERIAL:
- OAK FRAME
 - OAK LEAF
- GLASS:
- N/A
- HARDWARE:
- HANDLE TBC
 - LOCK TBC
 - BUTT HINGES TBC
 - WHITE AQUAMAC 21 WEATHERSEALS
- FINISH:
- TBC
- NOTES:
- CLIENT TO CONFIRM DESIGN PRIOR TO MANUFACTURE



CLIENT		MR ROBIN CRAIK	
PROJECT		PROPOSED NEW OAK BOARDED DOOR	
TITLE		DOOR CONSTRUCTION DETAIL	
ISSUE		CLIENT APPROVAL	
JOB No	2972		
DRAWING No	2972/001		
CUT LIST No			
SCALE	1:2, 1:10 @ A1		
DRAWN BY	JCS	REV	~
CHECKED BY			