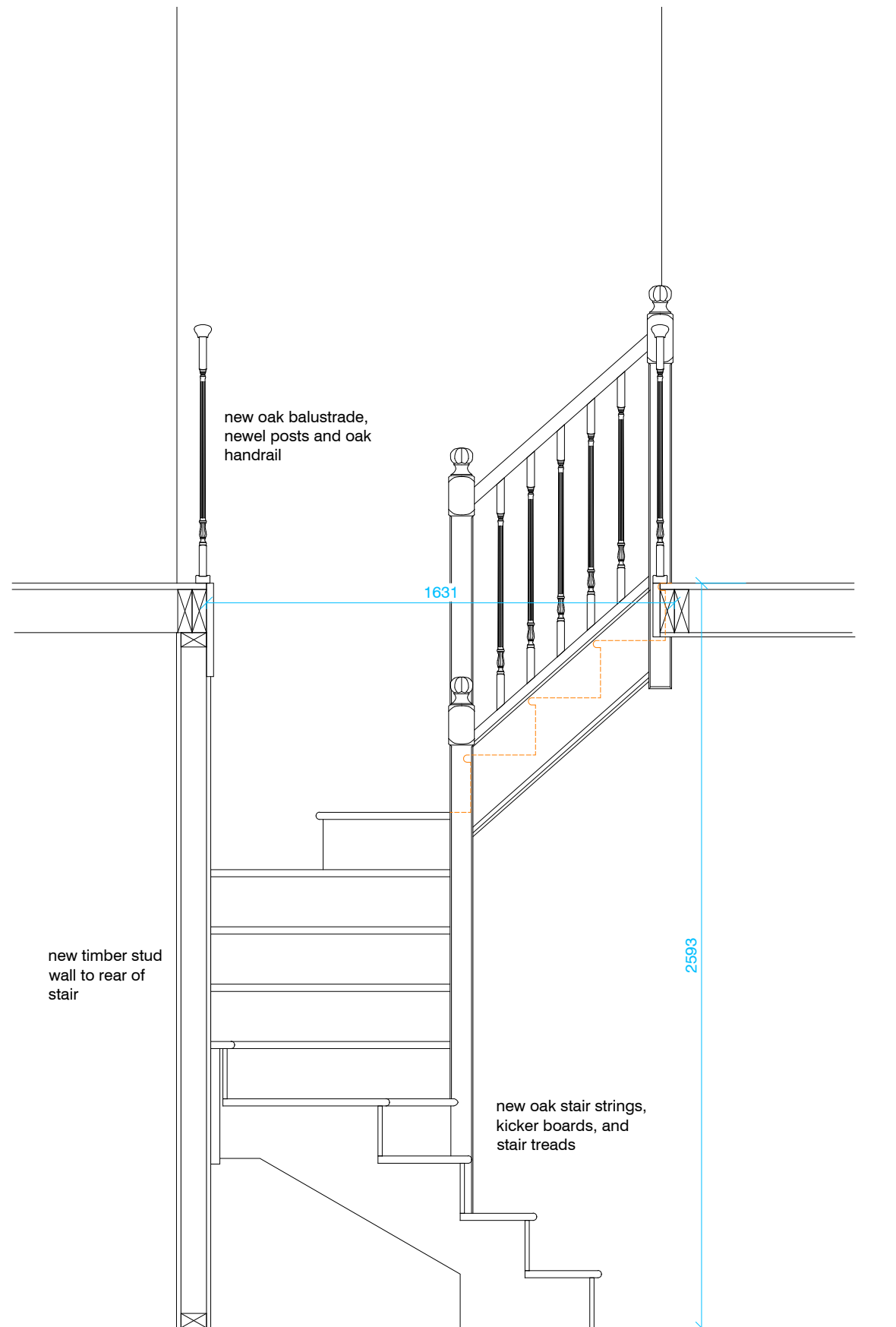
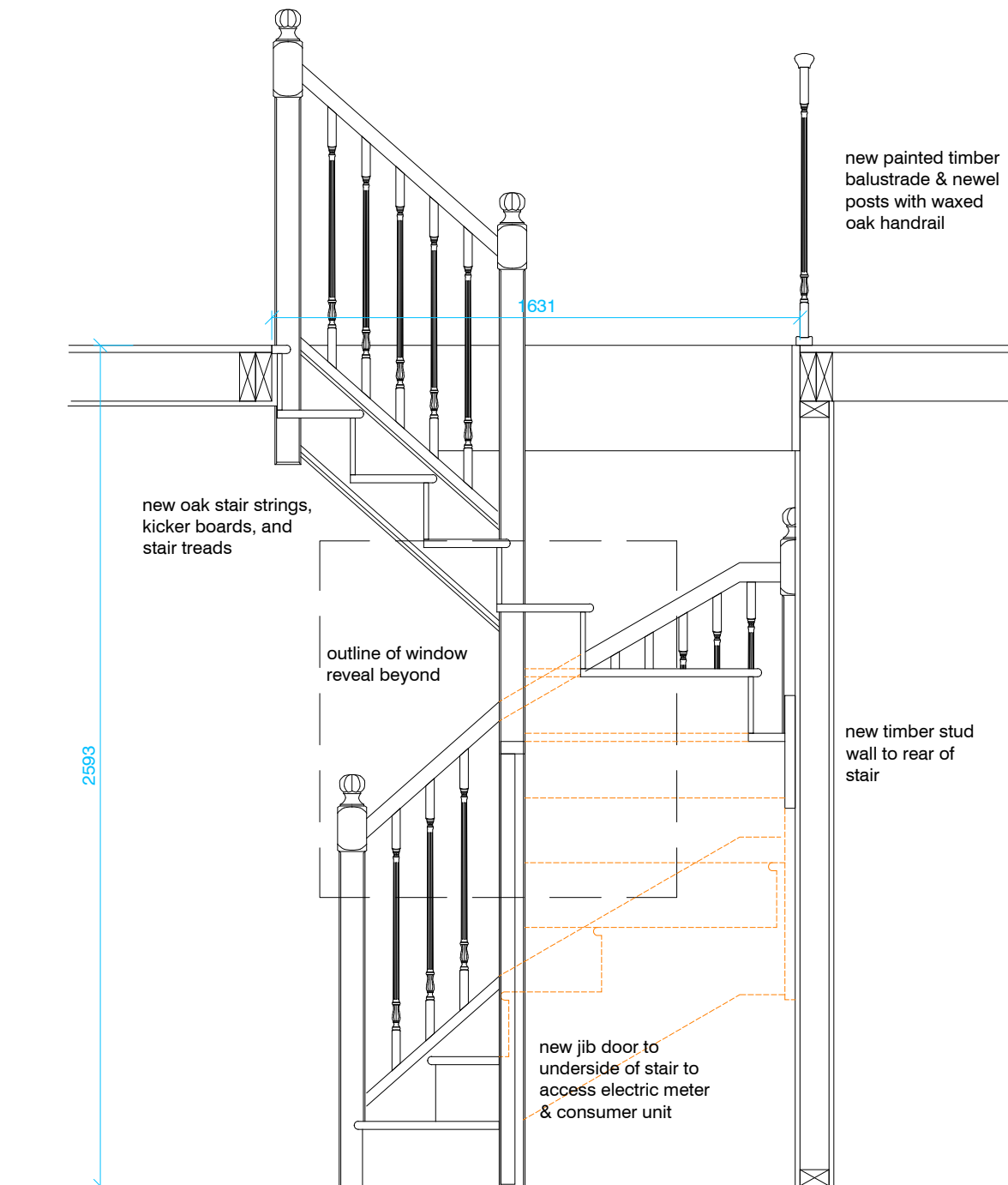
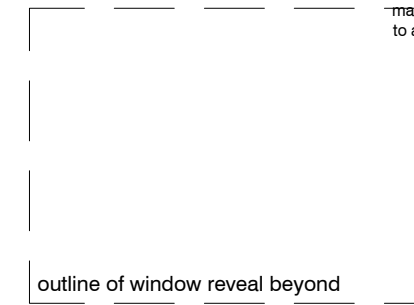
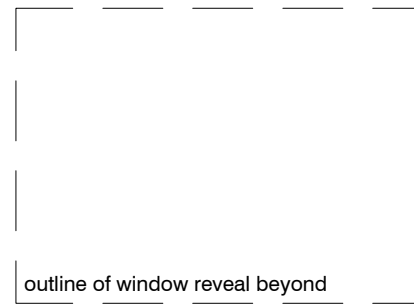


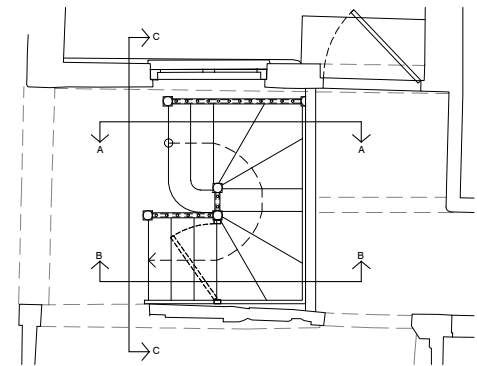
NOTES:  
 Dimensions to be checked on site before commencing work. any discrepancies shall be reported to Curtis Leeves Technical Ltd. immediately.  
 Do not scale from these drawings except for planning purposes. Use figured dimensions only.  
 Where applicable this drawing is to be read in conjunction with other consultants' drawings.  
 This drawing is the copyright of Curtis Leeves Technical Ltd. and may not be copied, altered or reproduced in any way, or passed to a third party, without written authority.



Stair Section AA



Stair Section BB



new timber stud wall to rear of stair

new oak balustrade, newel posts and oak handrail

1631

2593

new oak stair strings, kicker boards, and stair treads

new oak stair strings, kicker boards, and stair treads

outline of window reveal beyond

2593

1631

new painted timber balustrade & newel posts with waxed oak handrail

new timber stud wall to rear of stair

new jib door to underside of stair to access electric meter & consumer unit

rev	description	date
<b>PLANNING</b>		



CURTIS LEEVES TECHNICAL LTD  
 01243 378070 | mail@cltechnical.co.uk

client	Mr & Mrs Sohl		
project	Whitfield Court, Kanphill, Woking, Surrey		

title	Stair Proposal Stair Sections AA + BB		
-------	--	--	--

date	scale @ A3	drawn	chkd
June 2023	1:20	MRL	GBC
project no.	drawing no.	rev	
2314	P106	P1	

