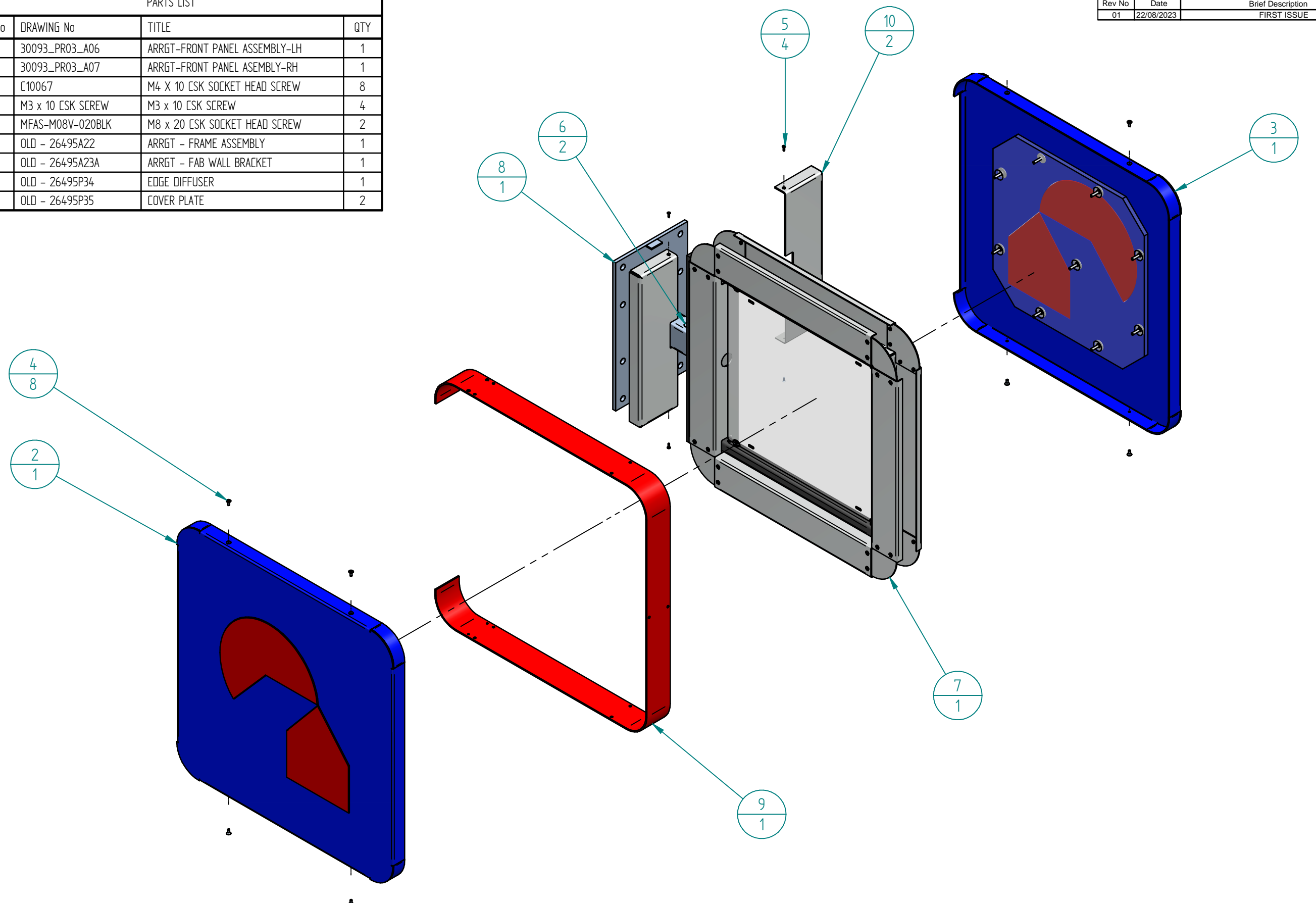


PARTS LIST			
ITEM No	DRAWING No	TITLE	QTY
2	30093_PR03_A06	ARRGT-FRONT PANEL ASSEMBLY-LH	1
3	30093_PR03_A07	ARRGT-FRONT PANEL ASSEMBLY-RH	1
4	C10067	M4 X 10 CSK SOCKET HEAD SCREW	8
5	M3 x 10 CSK SCREW	M3 x 10 CSK SCREW	4
6	MFAS-M08V-020BLK	M8 x 20 CSK SOCKET HEAD SCREW	2
7	OLD - 26495A22	ARRGT - FRAME ASSEMBLY	1
8	OLD - 26495A23A	ARRGT - FAB WALL BRACKET	1
9	OLD - 26495P34	EDGE DIFFUSER	1
10	OLD - 26495P35	COVER PLATE	2

Revisions			
Rev No	Date	Brief Description	Actioned
01	22/08/2023	FIRST ISSUE	TH



THIS DRAWING IS THE PROPERTY OF OMEGA SIGNS LTD AND MUST NOT BE PASSED TO THIRD PARTIES WITHOUT PRIOR CONSENT. ANY UNAUTHORISED USE OF THIS DRAWING WILL RESULT IN A DESIGN FEE BEING CHARGED.

ALL DIMENSIONS IN MILLIMETRES (mm) UNLESS STATED OTHERWISE - DO NOT SCALE -  
 DECIMAL X.X ± 0.1  
 DECIMAL X.XX ± 0.05  
 ANGLE X.Xº ± 0.1

THIRD ANGLE PROJECTION

SCALE @ A3: 1:7.5  
 SHEET: SHEET 1 OF 3  
 DATE: 31/07/2023

CLIENT: NATIONWIDE  
 DRAWN BY: ian wilson  
 APPROVED BY: Tom Howley

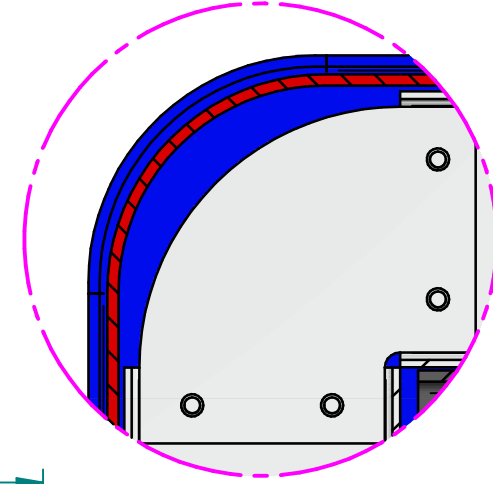
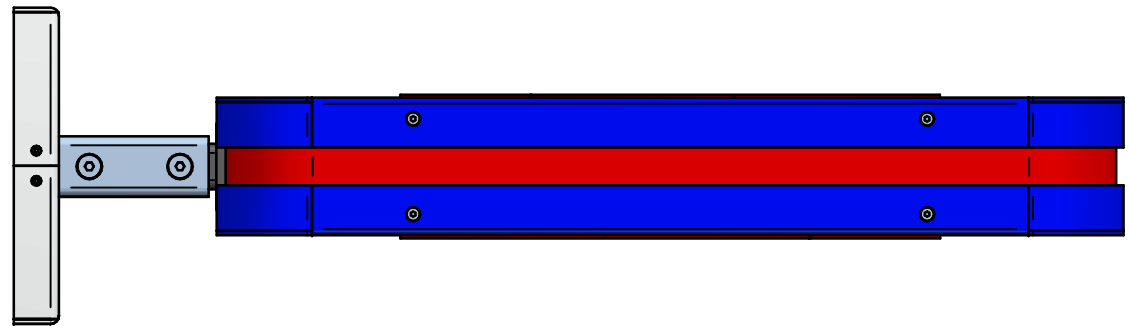
MATERIAL:  
 TREATMENT:  
 MASS: 24.713 kg

REV NO: 01

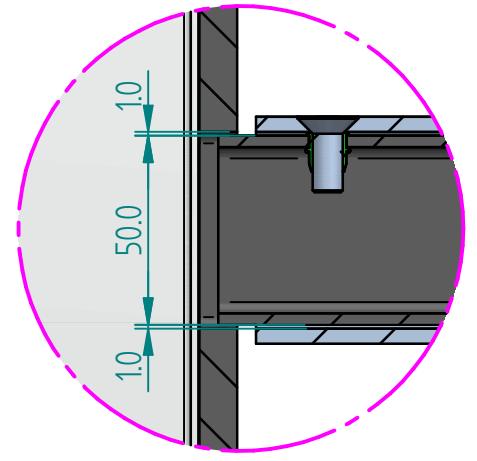
DRAWING NO: 30093\_PR03\_A01  
 TITLE: ARRGT-GENERAL ASSEMBLY

ASSY / ELEC

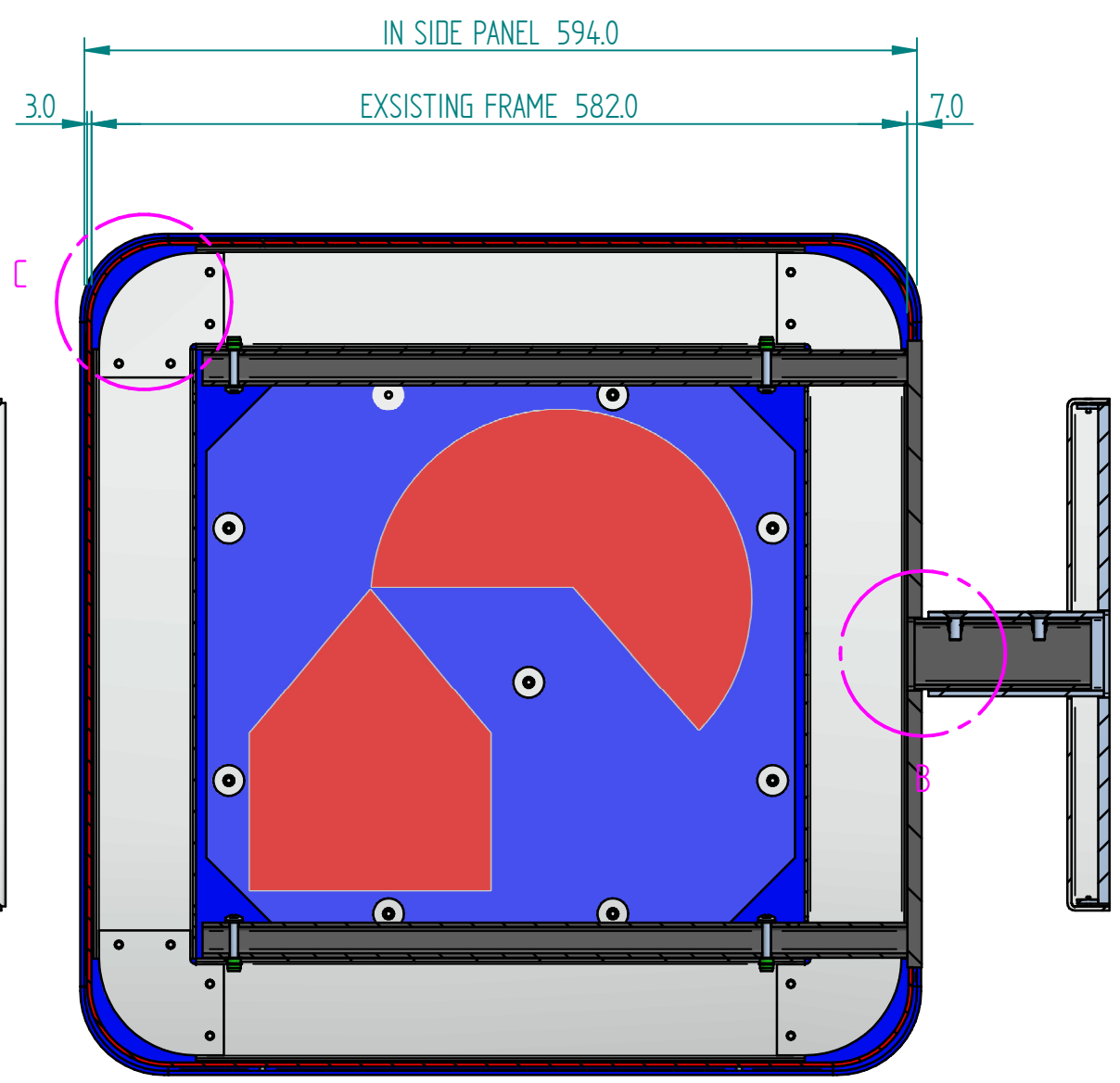
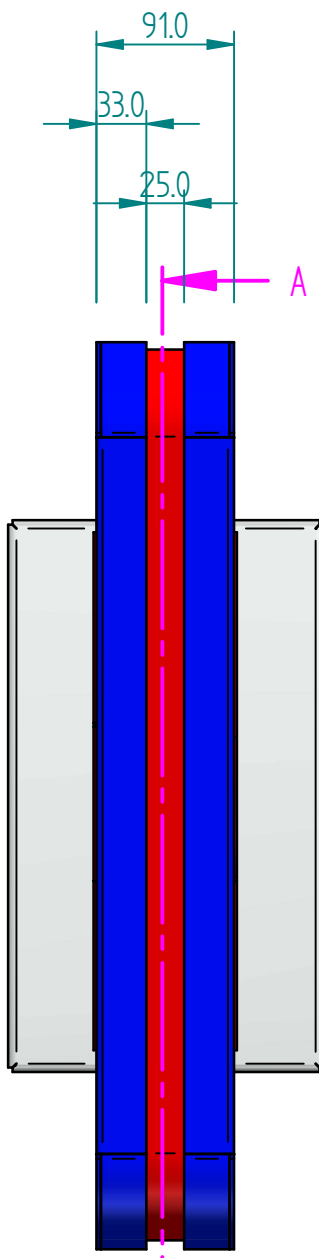
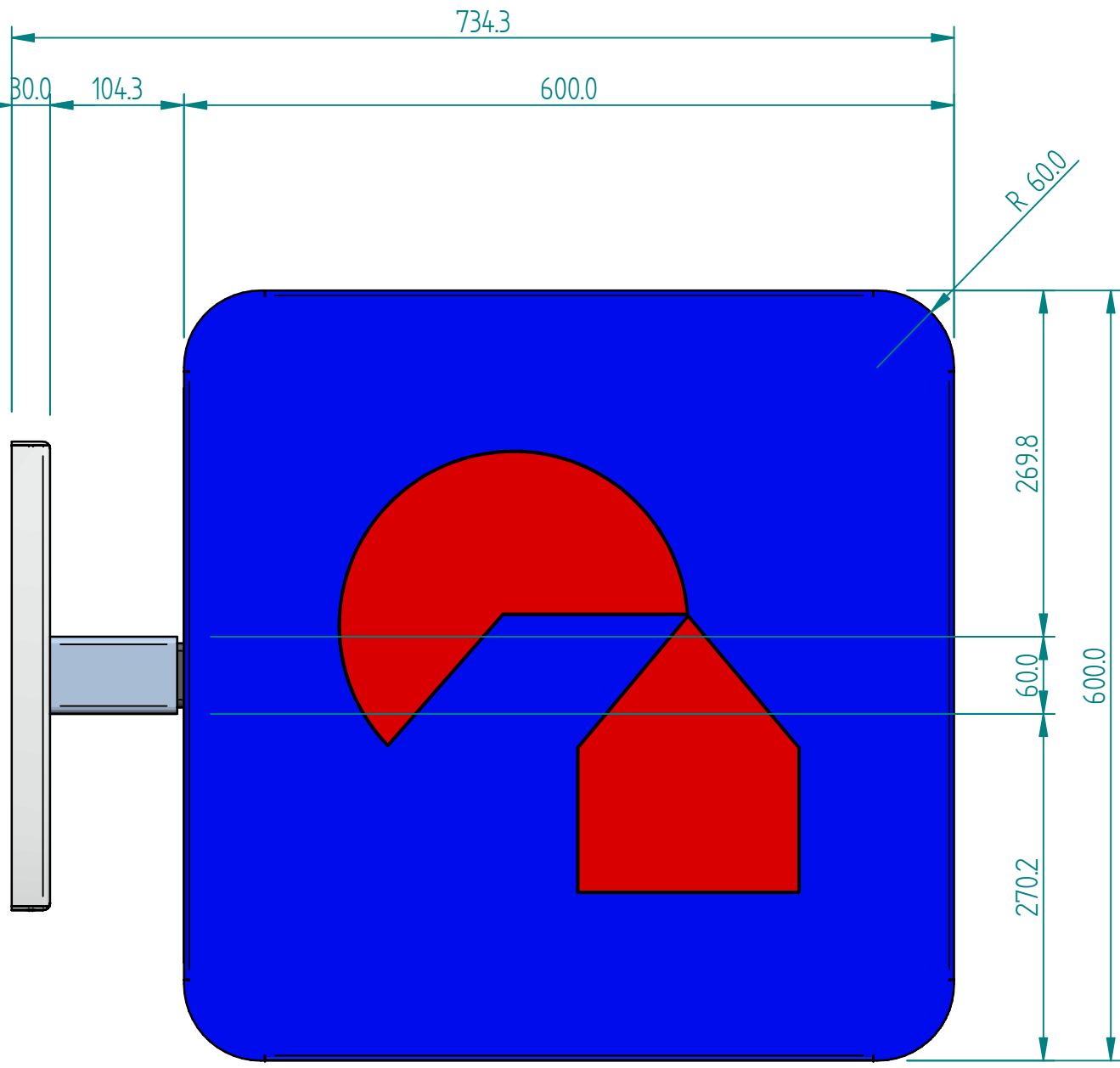
Revisions			
Rev No	Date	Brief Description	Actioned
01	22/08/2023	FIRST ISSUE	TH



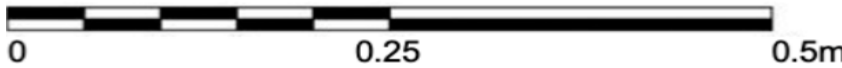
DETAIL C  
SCALE 1:2



DETAIL B  
SCALE 1:2



SECTION A-A  
SCALE 1:5



**OmegaSigns**  
the sign of excellence

THIS DRAWING IS THE PROPERTY OF OMEGA SIGNS LTD AND MUST NOT BE PASSED TO THIRD PARTIES WITHOUT PRIOR CONSENT. ANY UNAUTHORISED USE OF THIS DRAWING WILL RESULT IN A DESIGN FEE BEING CHARGED.

ALL DIMENSIONS IN MILLIMETRES (mm) UNLESS STATED OTHERWISE - DO NOT SCALE -  
DECIMAL X.X ± 0.1  
DECIMAL X.XX ± 0.05  
ANGLE X.Xº ± 0.1

THIRD ANGLE PROJECTION

SCALE @ A3:  
1:5

SHEET:  
SHEET 2 OF 3

DATE:  
31/07/2023

CLIENT:  
NATIONWIDE

DRAWN BY:  
ian wilson

APPROVED BY:  
Tom Howley

MATERIAL:

TREATMENT:

MASS:  
24.713 kg

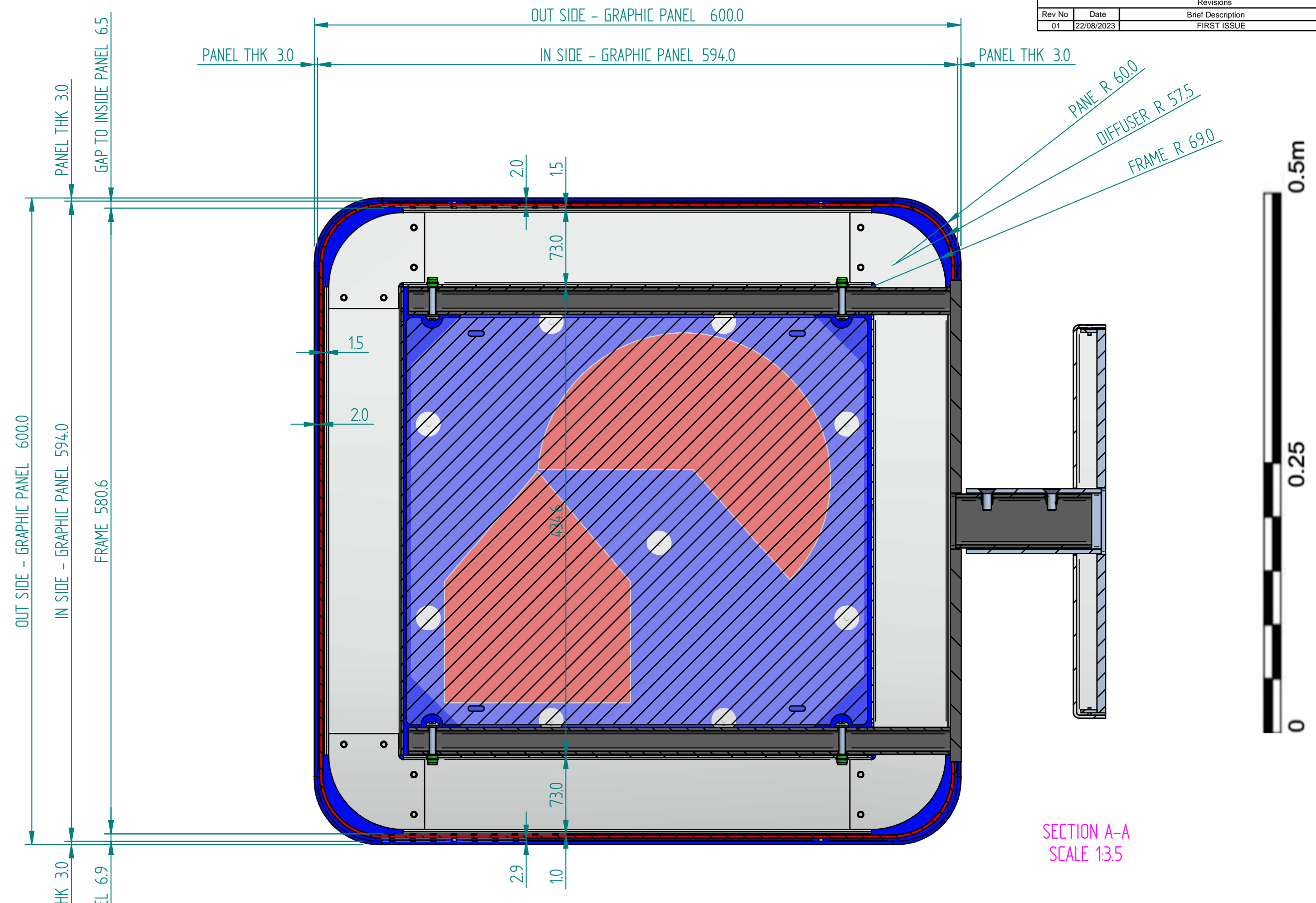
REV NO:  
01

DRAWING NO:  
30093\_PR03\_A01

TITLE:  
ARRGT-GENERAL ASSEMBLY

ASSY / ELEC

Revisions			
Rev No	Date	Brief Description	Actioned
01	22/08/2023	FIRST ISSUE	TH



SECTION A-A  
SCALE 1:3.5

the sign of excellence

THIS DRAWING IS THE PROPERTY OF OMEGA SIGNS LTD AND MUST NOT BE PASSED TO THIRD PARTIES WITHOUT PRIOR CONSENT. ANY UNAUTHORISED USE OF THIS DRAWING WILL RESULT IN A DESIGN FEE BEING CHARGED.

ALL DIMENSIONS IN MILLIMETRES (mm) UNLESS STATED OTHERWISE - DO NOT SCALE -  
 DECIMAL X.X ± 0.1  
 DECIMAL X.XX ± 0.05  
 ANGLE X.X° ± 0.1

THIRD ANGLE PROJECTION

SCALE @ A3:  
1:3.5

SHEET:  
SHEET 3 OF 3

DATE:  
31/07/2023

CLIENT:  
NATIONWIDE

DRAWN BY:  
ian wilson

APPROVED BY:  
Tom Howley

MATERIAL:

TREATMENT:

MASS:  
24.713 kg

REV NO:  
01

DRAWING NO:  
30093\_PR03\_A01

TITLE:  
ARRGT-GENERAL ASSEMBLY

ASSY / ELEC