

SC Shaw Designs Ltd
creating beautiful spaces

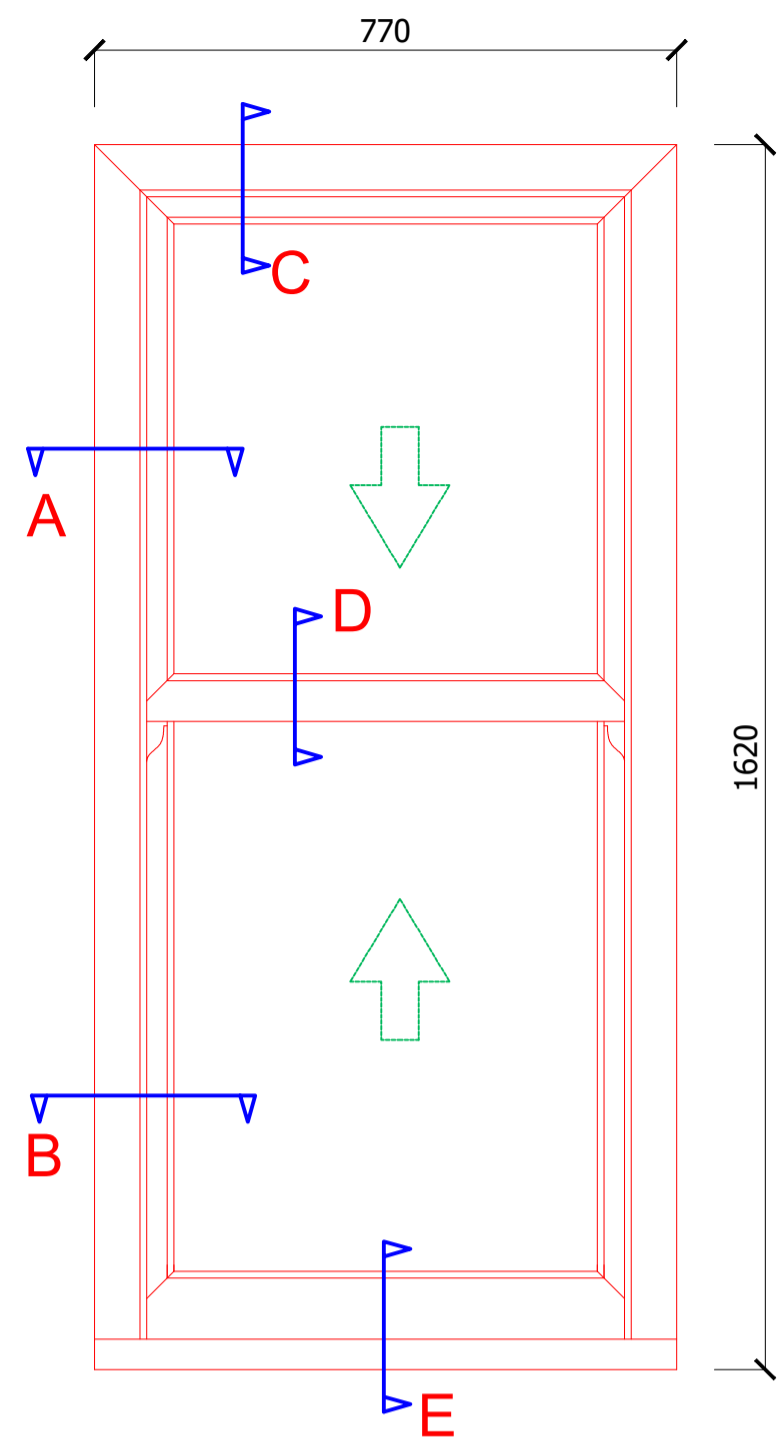
W: www.sshawdesigns.co.uk | M: 079 8382 2179
E: info@sshawdesigns.co.uk

Axis:

General Notes:

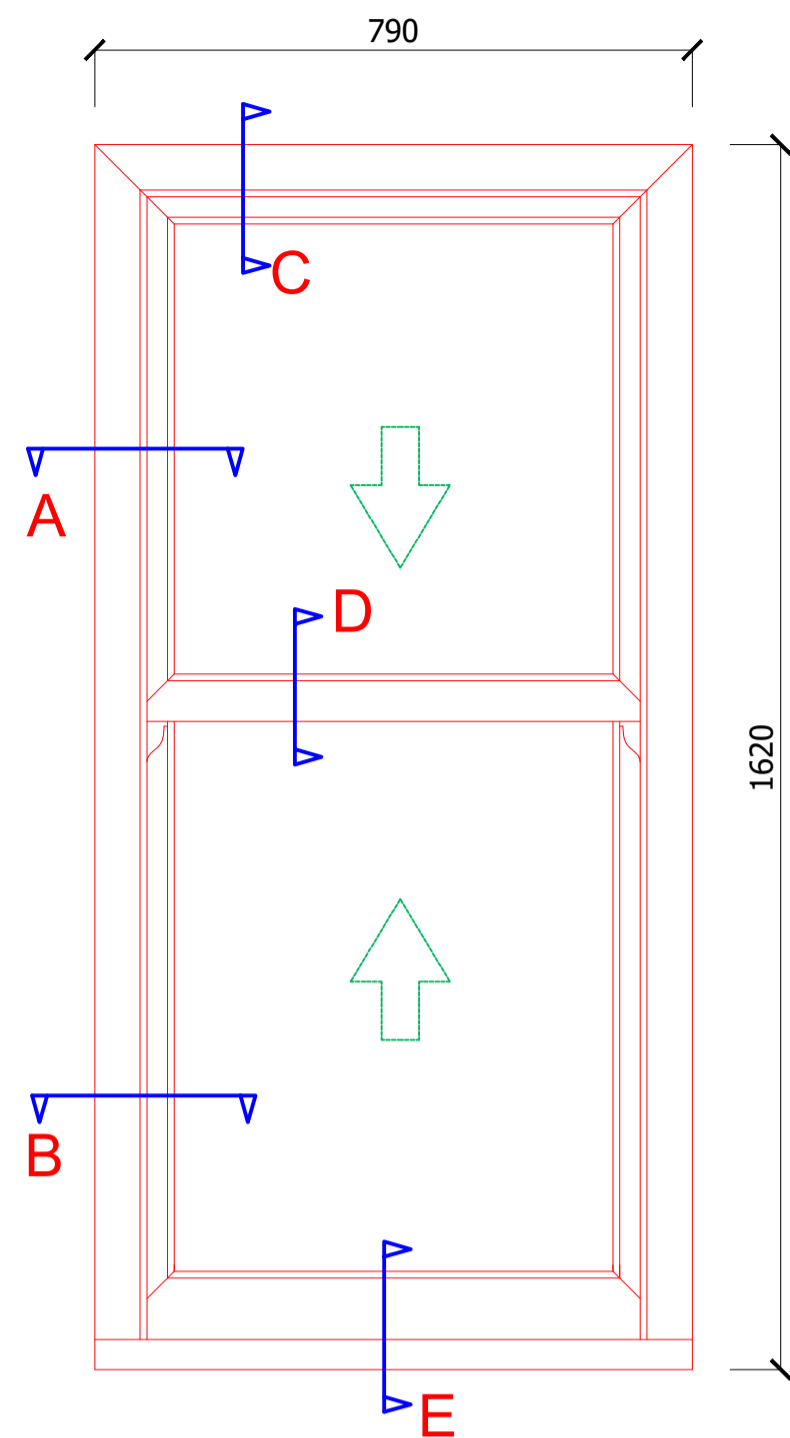
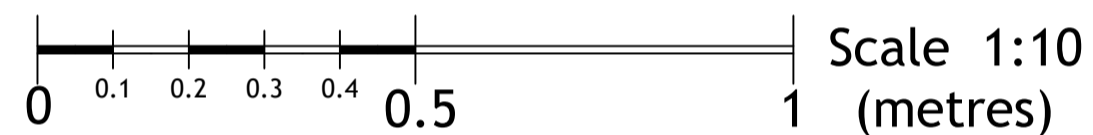
ALL LEVELS, ANGLES AND DIMENSIONS TO BE CHECKED ON SITE PRIOR TO COMMENCEMENT OF WORKS.

THIS DRAWING IS TO BE READ IN CONJUNCTION WITH ALL RELEVANT STRUCTURAL ENGINEERS AND MECHANICAL AND ELECTRICAL ENGINEERS DRAWINGS, DETAILS AND SPECIFICATIONS.



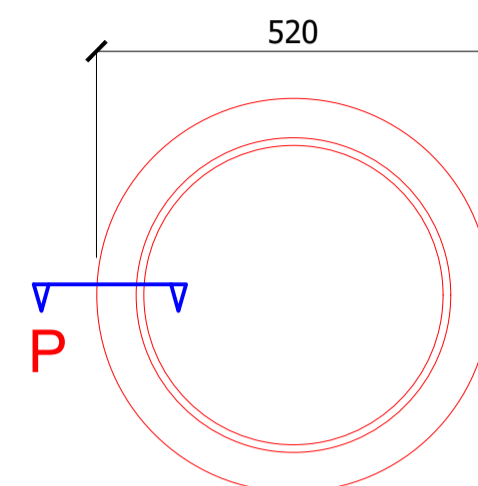
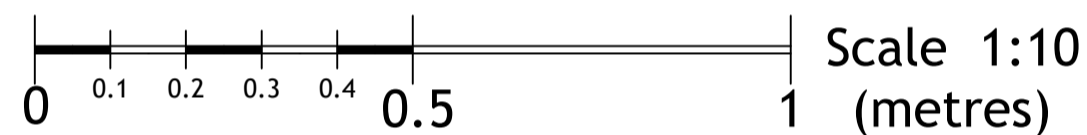
PROPOSED TYPICAL WINDOW TYPE - W12, W13

scale 1:10 @ A1



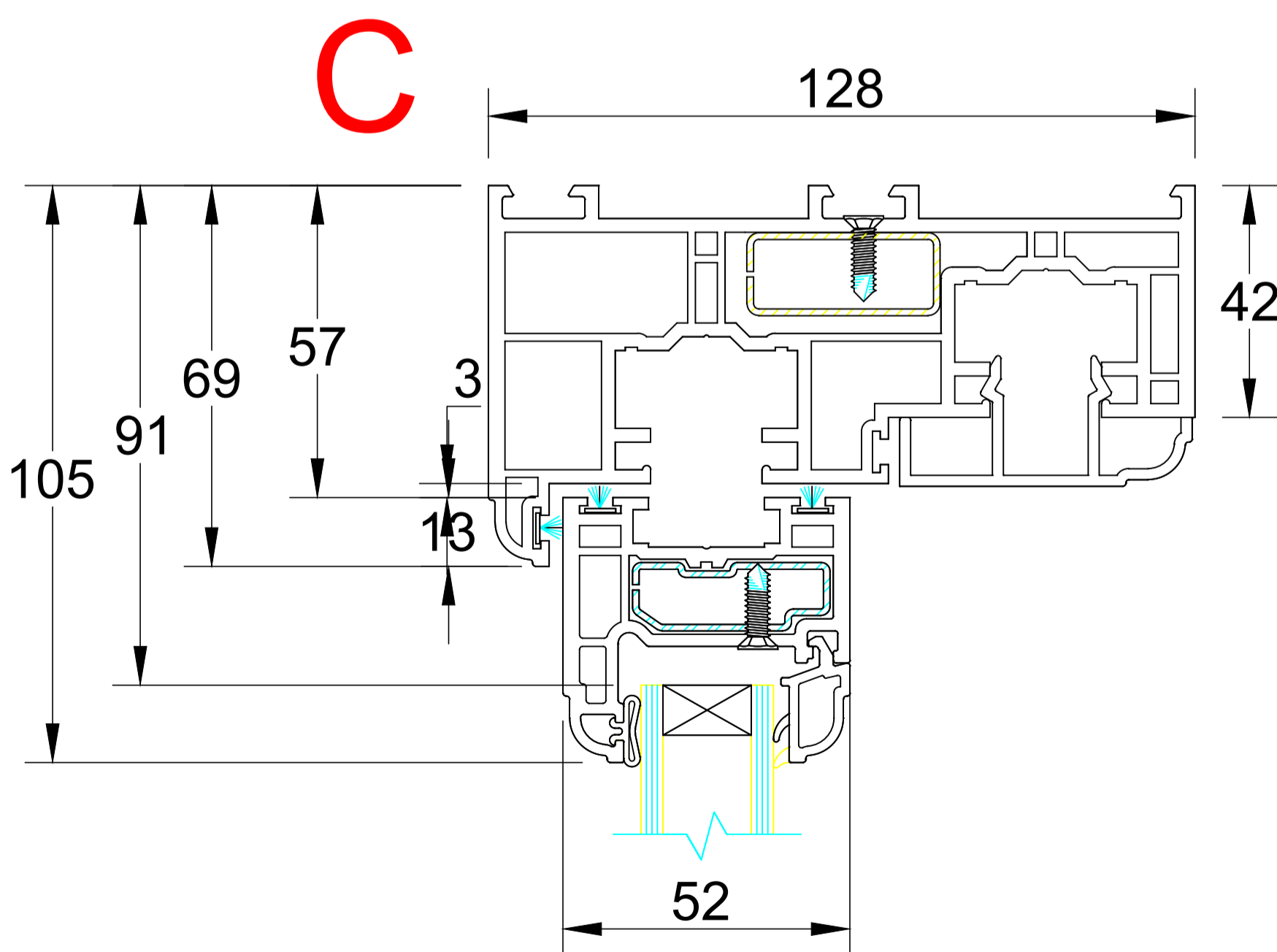
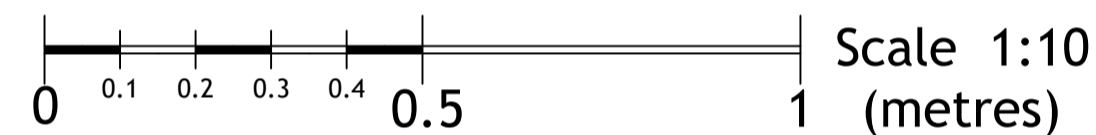
PROPOSED TYPICAL WINDOW TYPE - W15, W16, W17

scale 1:10 @ A1



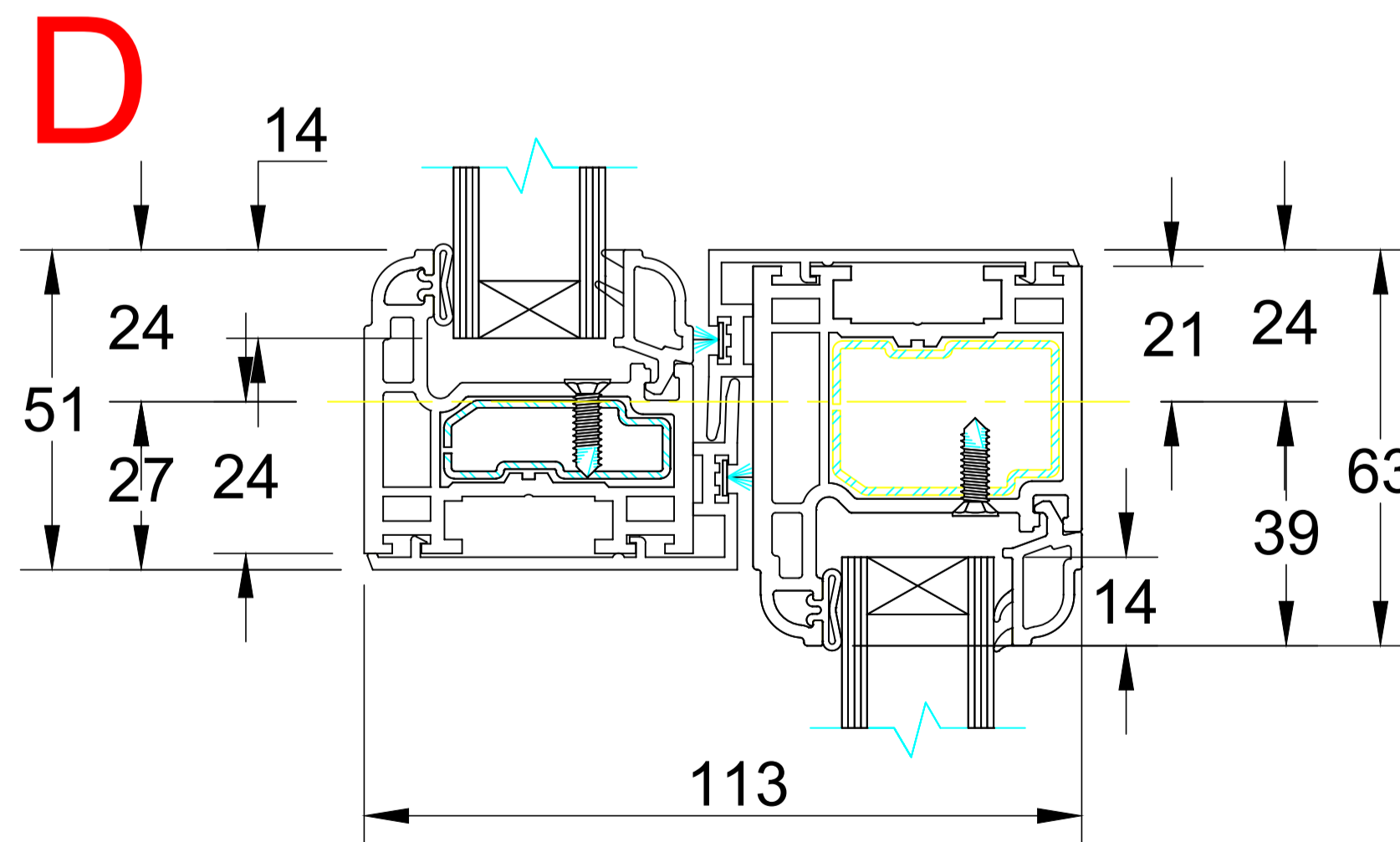
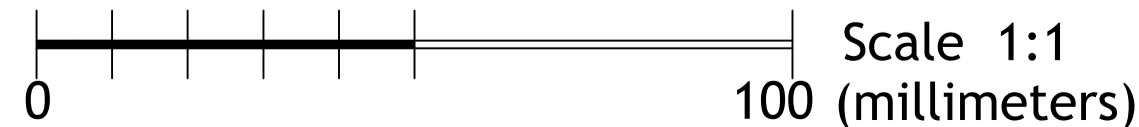
PROPOSED TYPICAL WINDOW TYPE - W20

scale 1:10 @ A1



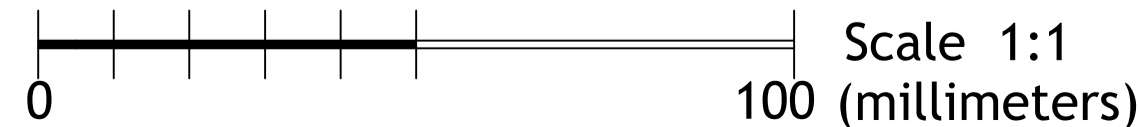
TYPICAL PROPOSED DETAIL "C"

scale 1:1 @ A1



TYPICAL PROPOSED DETAIL "D"

scale 1:1 @ A1



| Date | Issue | Revision | Initial |
|------|-------|----------|---------|
| | | | |

Status:

PLANNING

Client:



Customer:

Miss Fiona Fisher

Project:

Proposed windows replacement

Site Address:

The Birks
George Street
Blairgowrie, Perthshire
P10 6HP

Sheet Title:

- Typical Window Elevational View
- Typical Window Details

| Scale: | Date: | Drawn: | Checked: |
|---------------|----------|--------|----------|
| As Shown @ A1 | Feb 2024 | SCS | SCS |

Drawing Ref.

NH1751BD

Sheet No.

A-05

Revision No.: