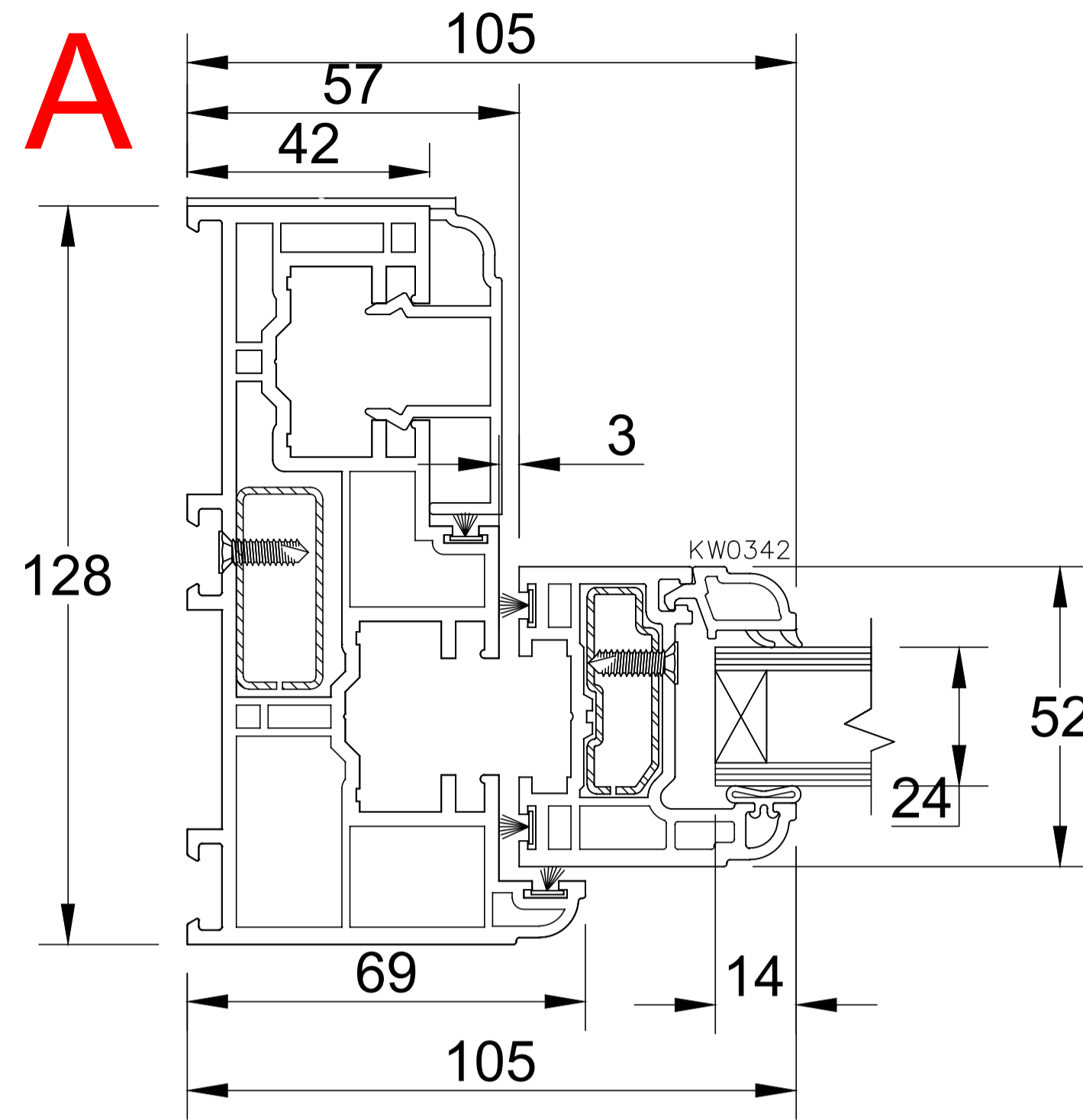
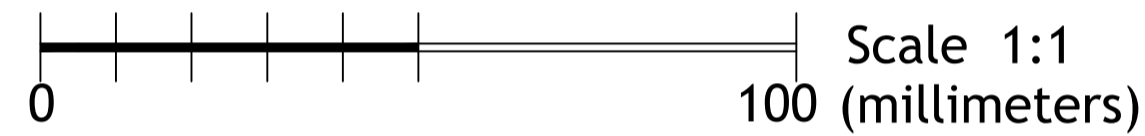


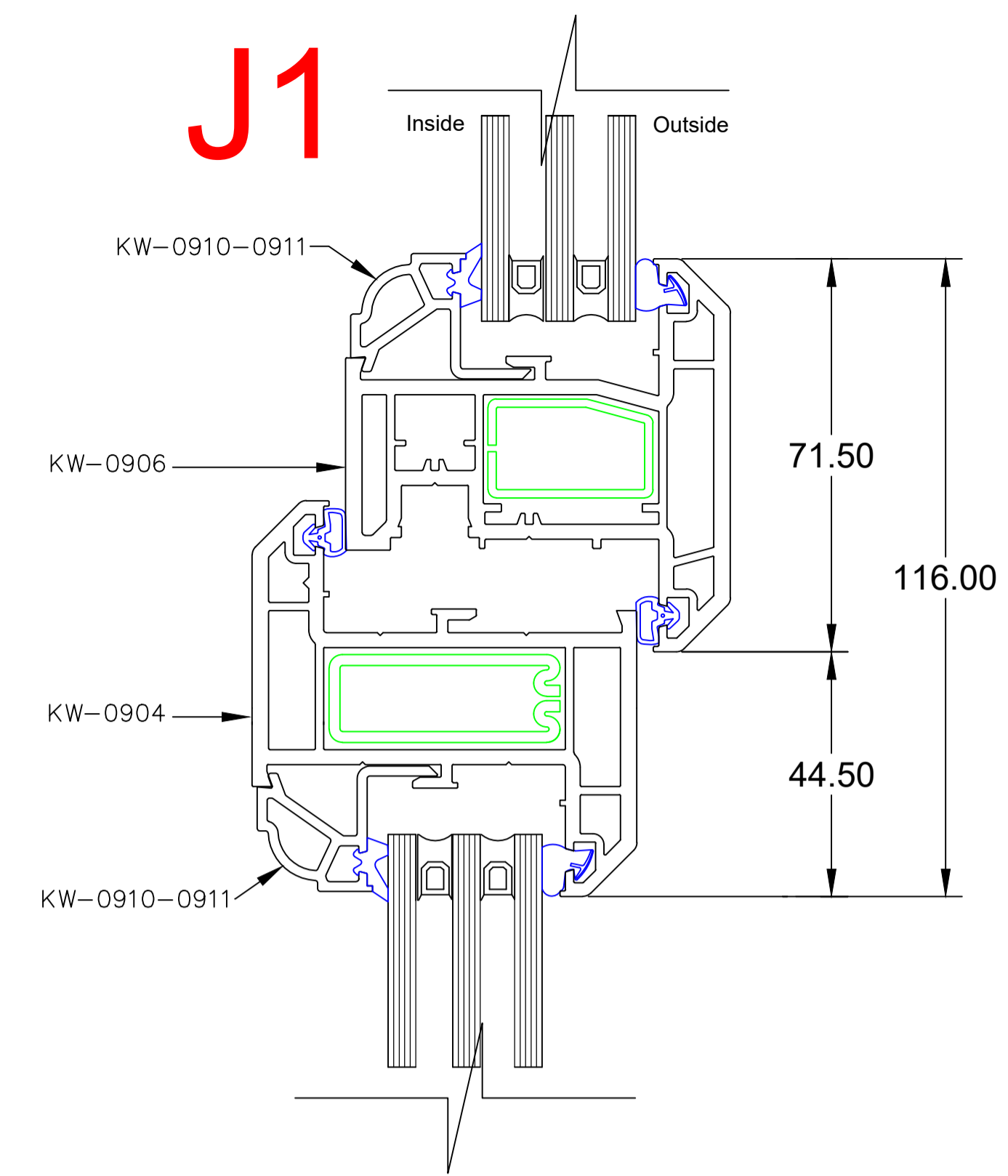
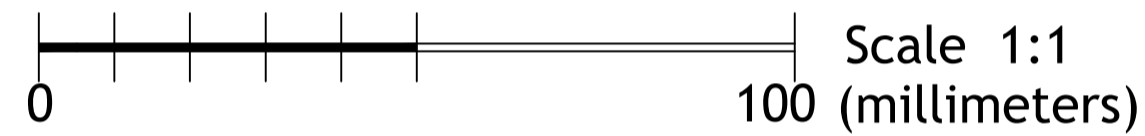
**TYPICAL PROPOSED DETAIL "E"**

scale 1:1 @ A1



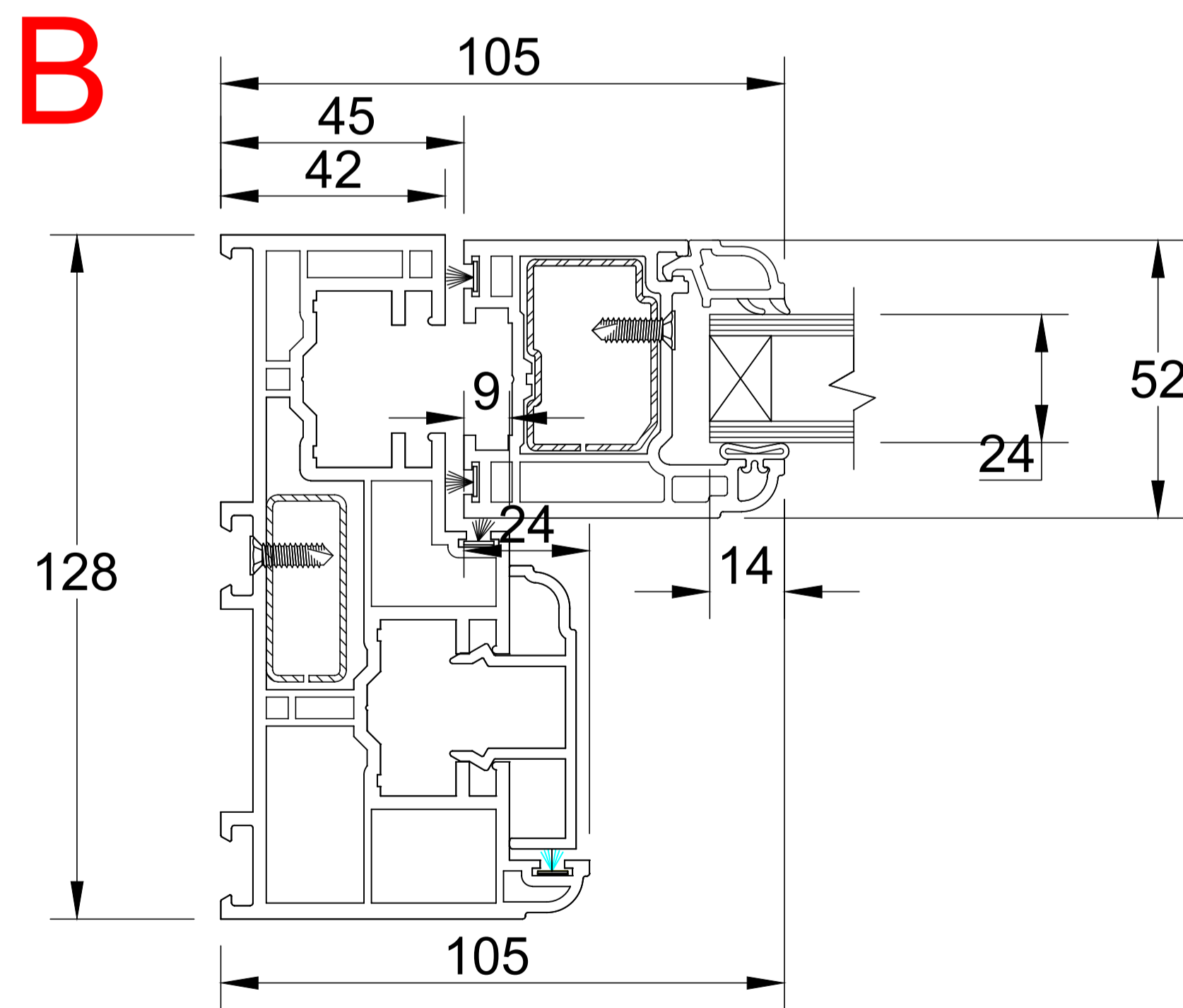
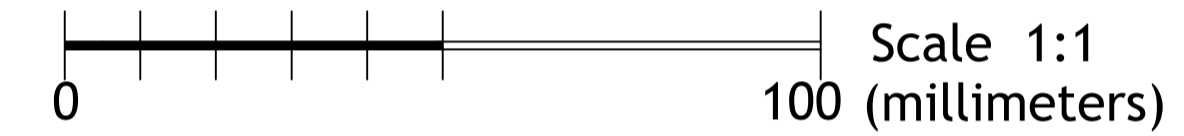
**TYPICAL PROPOSED DETAIL "A"**

scale 1:1 @ A1



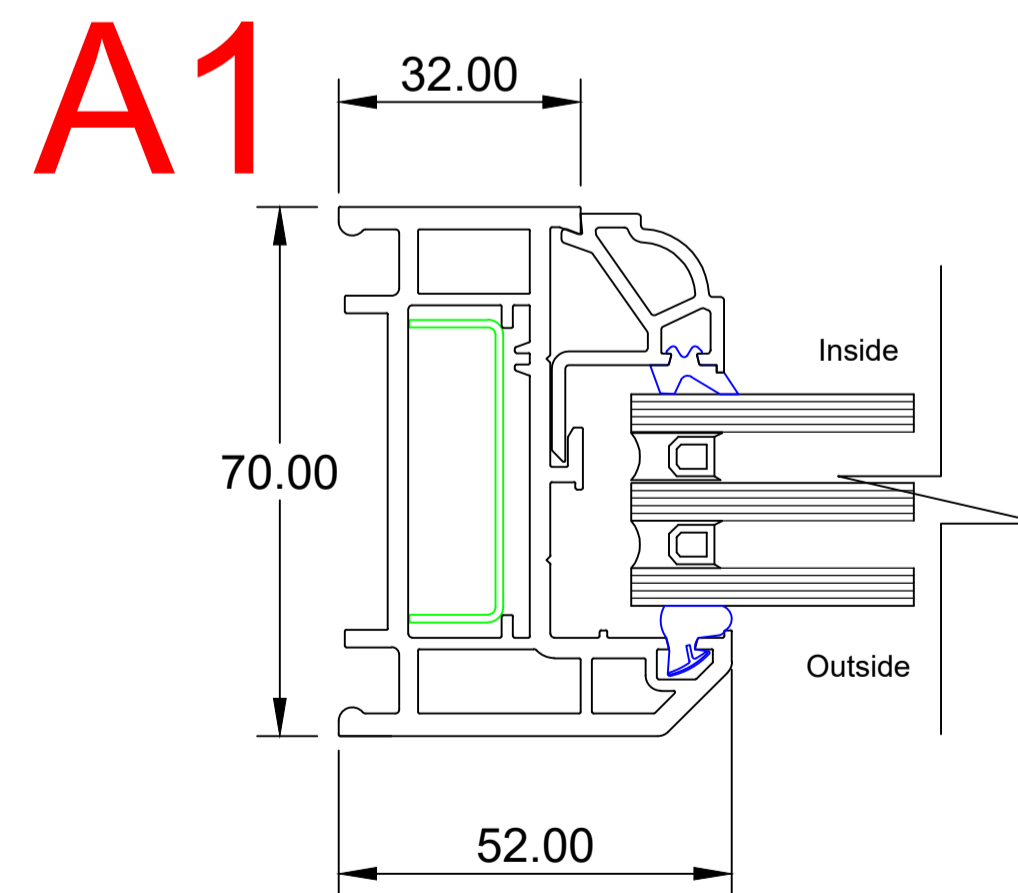
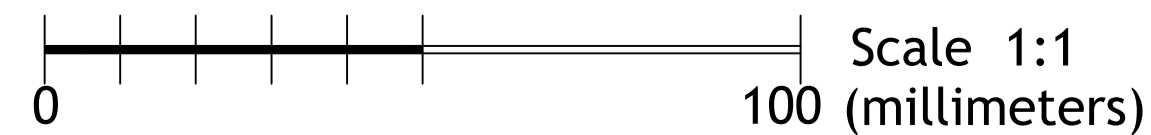
**TYPICAL PROPOSED DETAIL "J1"**

scale 1:1 @ A1



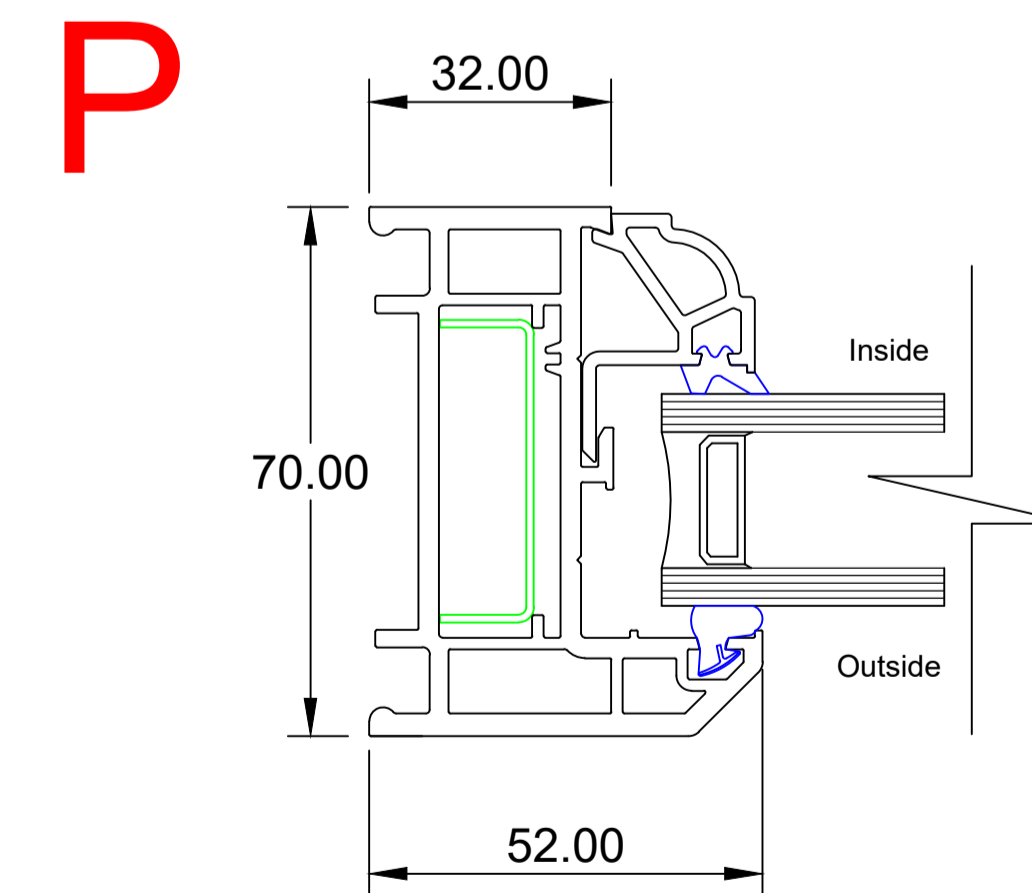
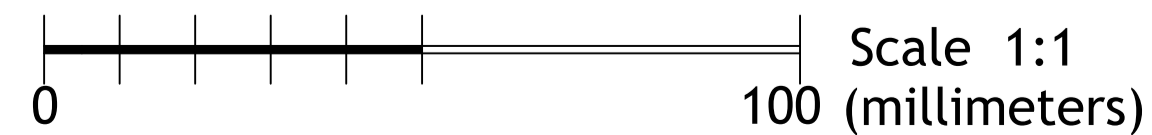
**TYPICAL PROPOSED DETAIL "B"**

scale 1:1 @ A1



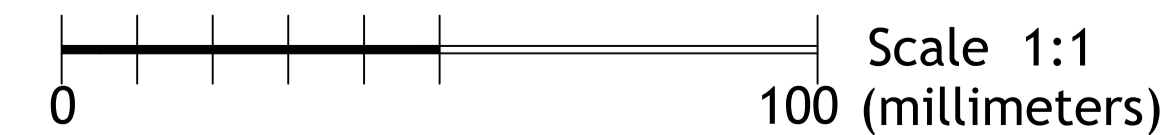
**TYPICAL PROPOSED DETAIL "A1"**

scale 1:1 @ A1



**TYPICAL PROPOSED DETAIL "P"**

scale 1:1 @ A1



Axis:

**General Notes:**

ALL LEVELS, ANGLES AND DIMENSIONS TO BE CHECKED ON SITE PRIOR TO COMMENCEMENT OF WORKS.  
THIS DRAWING IS TO BE READ IN CONJUNCTION WITH ALL RELEVANT STRUCTURAL ENGINEERS AND MECHANICAL AND ELECTRICAL ENGINEERS DRAWINGS, DETAILS AND SPECIFICATIONS.

Date	Issue	Revision	Initial

Status:

**PLANNING**

Client:



Customer:

Miss Fiona Fisher

Project:

Proposed windows replacement

Site Address:

The Birks  
George Street  
Blairgowrie, Perthshire  
P10 6HP

Sheet Title:

- Typical Window Details

Scale:	Date:	Drawn:	Checked:
As Shown @ A1	Feb 2024	SCS	SCS

Drawing Ref.

NH1751BD

Sheet No.

**A-06**

Revision No.: