

SC Shaw Designs Ltd
creating beautiful spaces

W: www.sshawdesigns.co.uk | M: 079 8382 2179
E: info@sshawdesigns.co.uk

Axis:

General Notes:

ALL LEVELS, ANGLES AND DIMENSIONS TO BE CHECKED ON SITE PRIOR TO COMMENCEMENT OF WORKS.

THIS DRAWING IS TO BE READ IN CONJUNCTION WITH ALL RELEVANT STRUCTURAL ENGINEERS AND MECHANICAL AND ELECTRICAL ENGINEERS DRAWINGS, DETAILS AND SPECIFICATIONS.

Date	Issue	Revision	Initial

Status:

PLANNING

Client:



Customer:
Miss Fiona Fisher

Project:
Proposed windows replacement

Site Address:
The Birks
George Street
Blairgowrie, Perthshire
P10 6HP

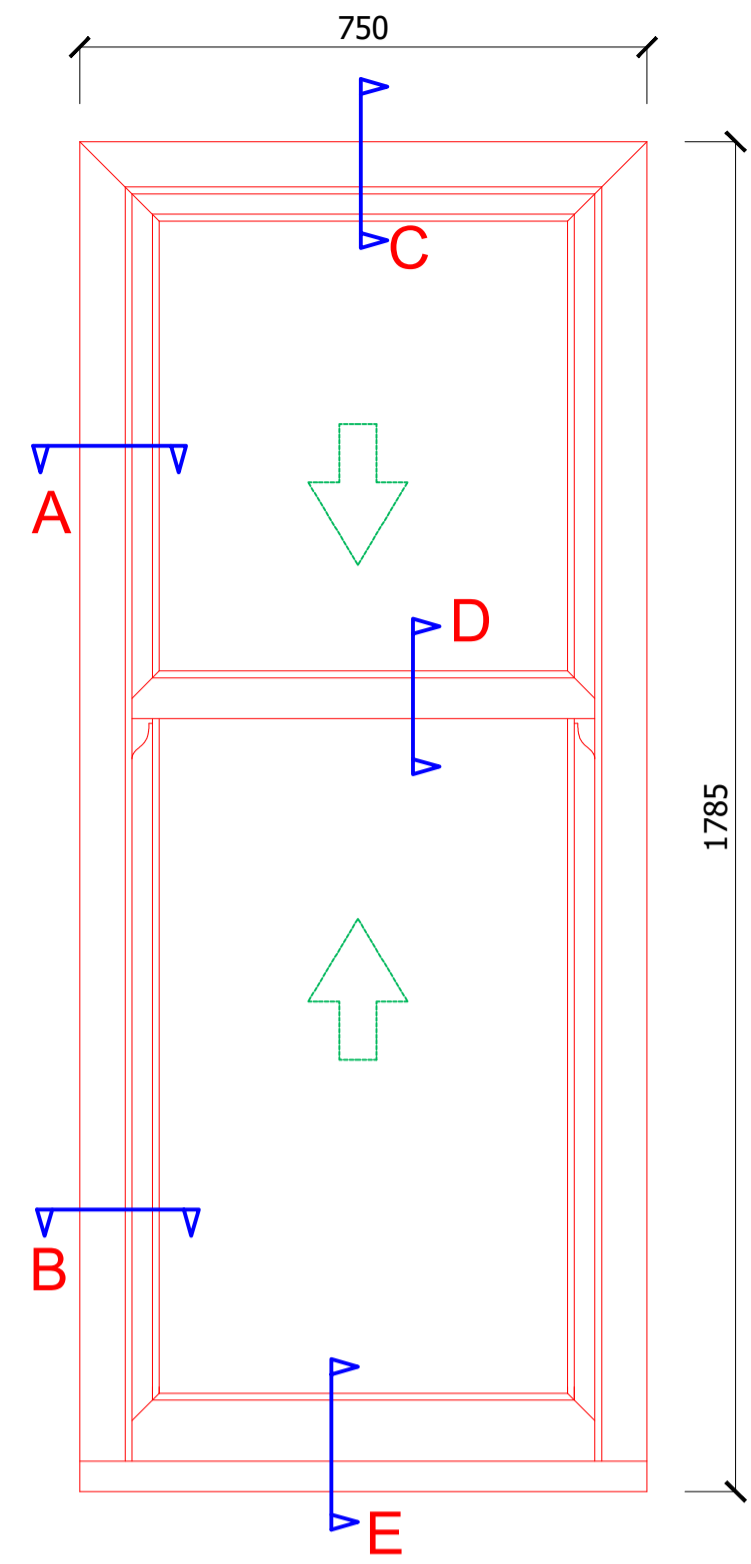
Sheet Title:
- Typical Window Elevational View

Scale:	Date:	Drawn:	Checked:
As Shown @ A1	Feb 2024	SCS	SCS

Drawing Ref. **NH1751BD**

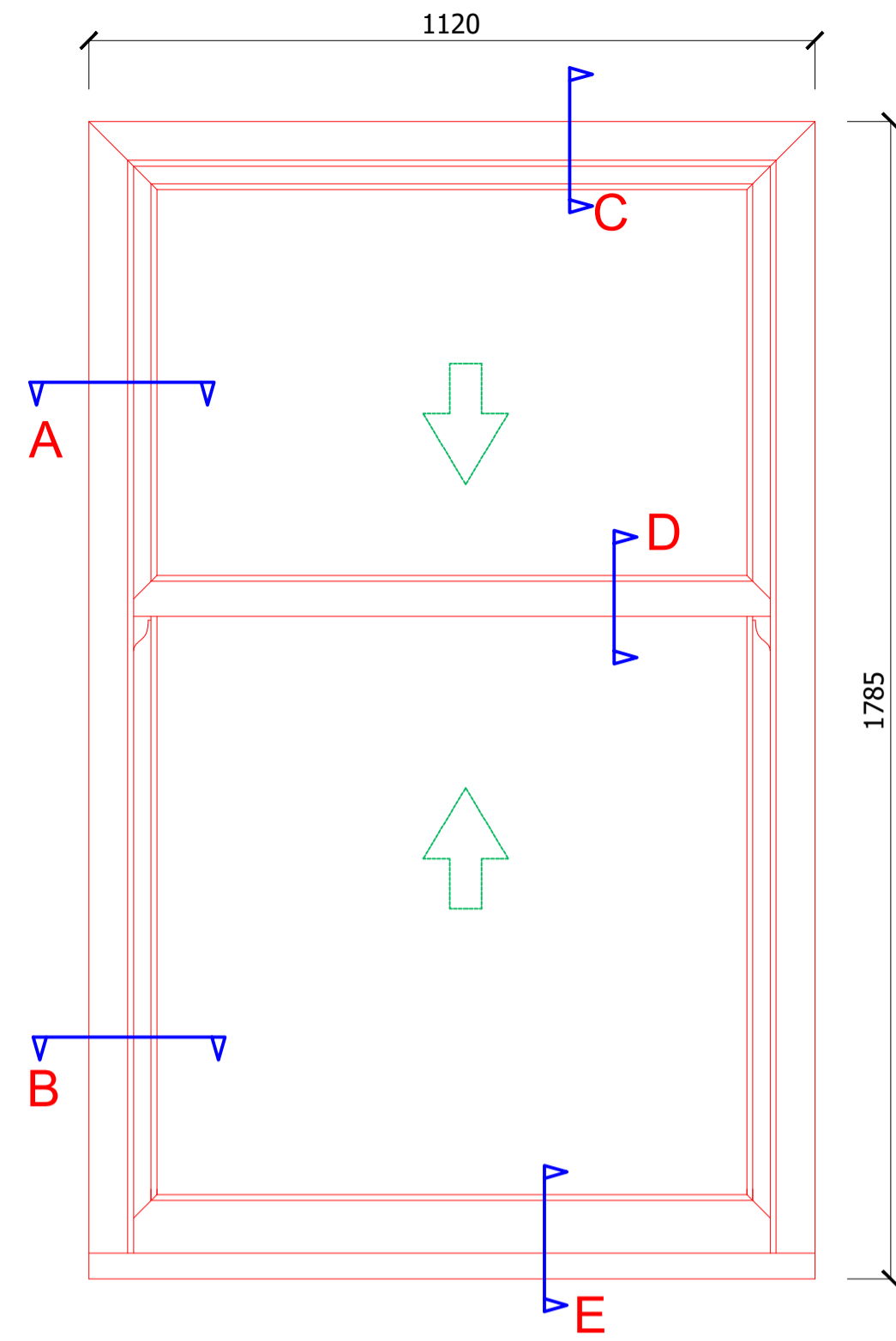
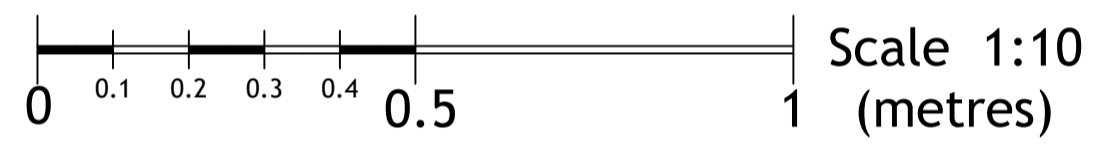
Sheet No. **A-04** Revision No.:

© THIS DRAWING IS A COPYRIGHT OF SC SHAW DESIGNS LTD.
© CROWN COPYRIGHT 2024. ALL RIGHTS RESERVED.
LICENCE NUMBER 0100031673



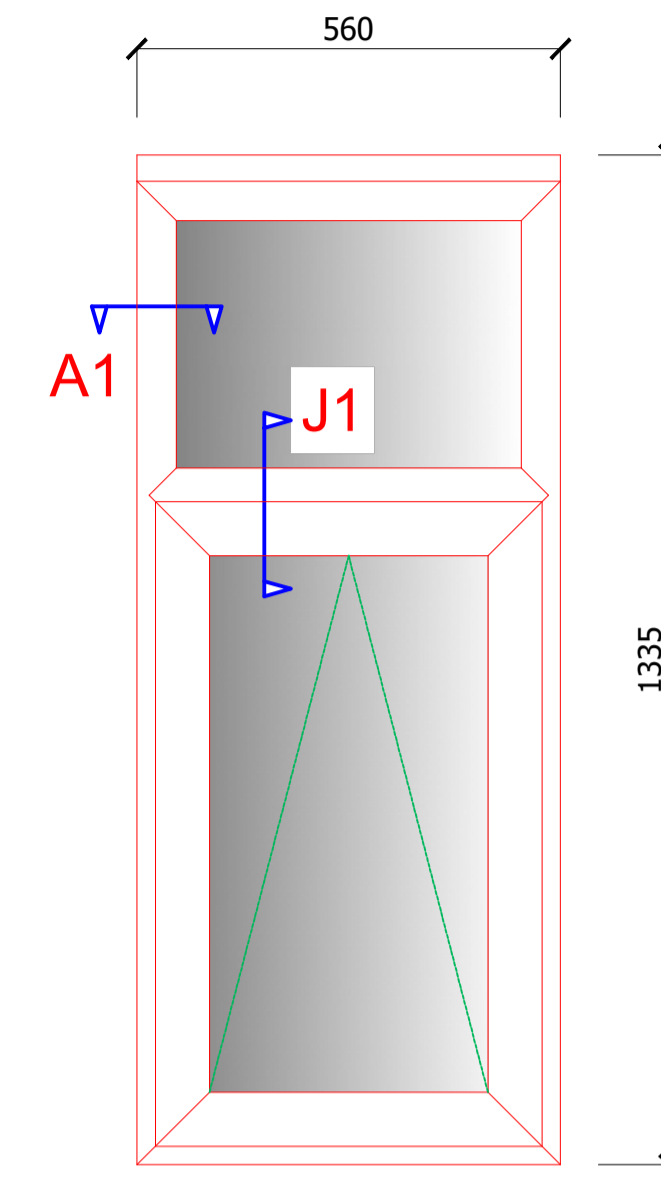
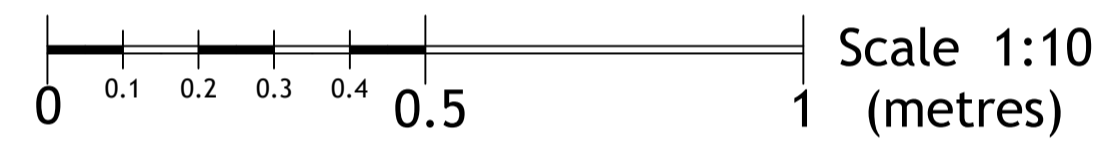
PROPOSED TYPICAL WINDOW TYPE - W1, W3, W5, W7

scale 1:10 @ A1



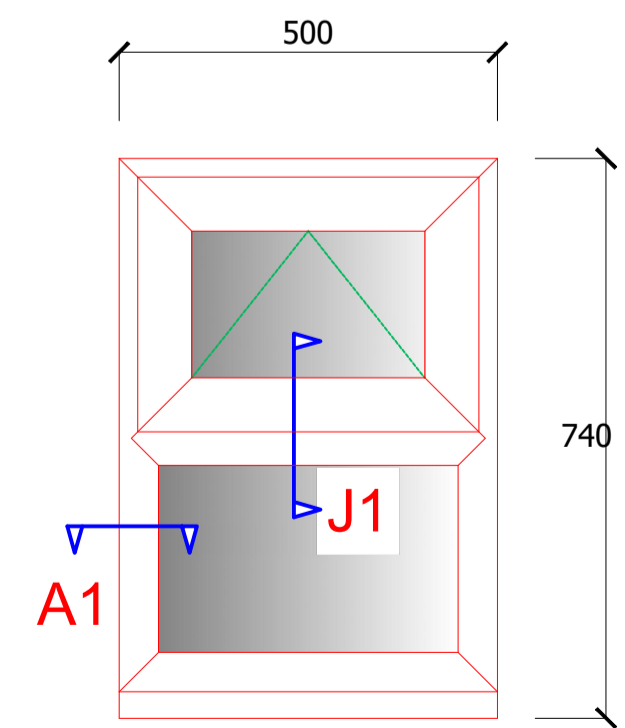
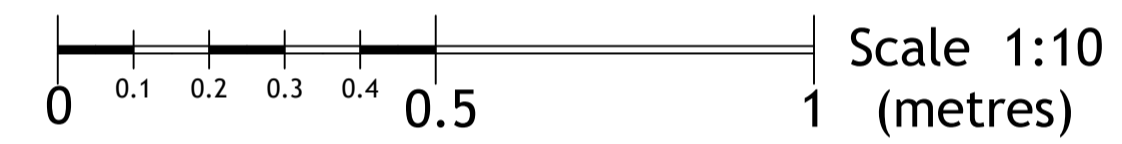
PROPOSED TYPICAL WINDOW TYPE - W2, W6

scale 1:10 @ A1



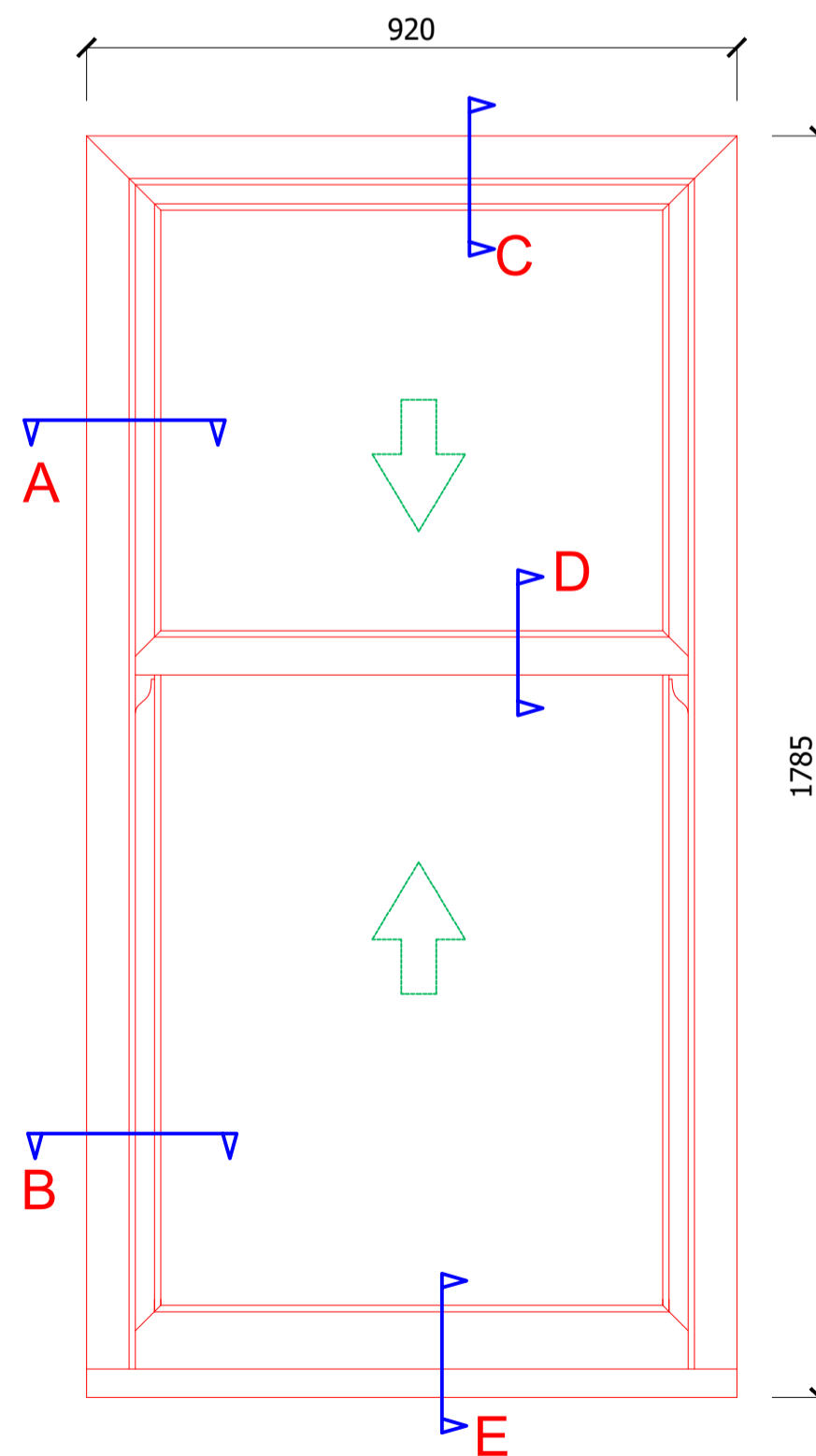
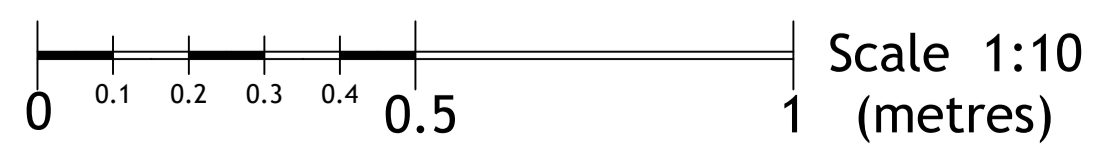
PROPOSED TYPICAL WINDOW TYPE - W4

scale 1:10 @ A1



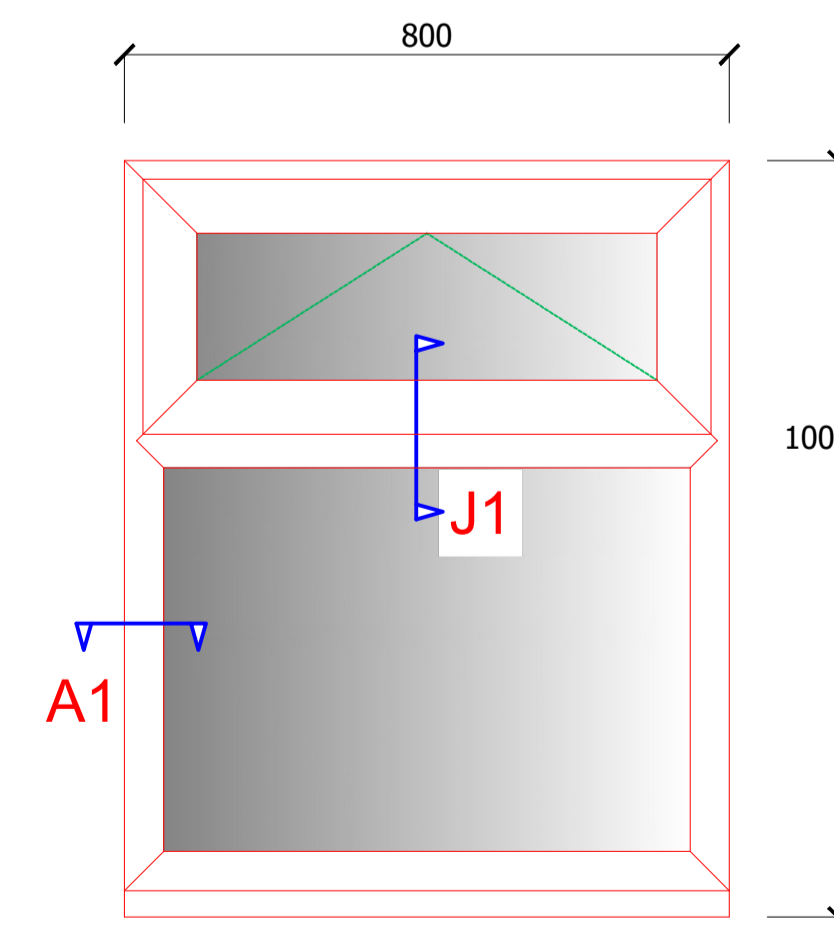
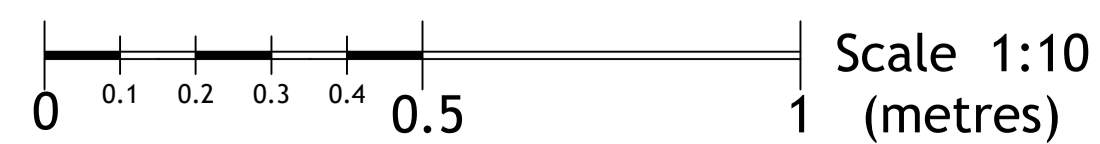
PROPOSED TYPICAL WINDOW TYPE - W8

scale 1:10 @ A1



PROPOSED TYPICAL WINDOW TYPE - W9, W10

scale 1:10 @ A1



PROPOSED TYPICAL WINDOW TYPE - W11

scale 1:10 @ A1

