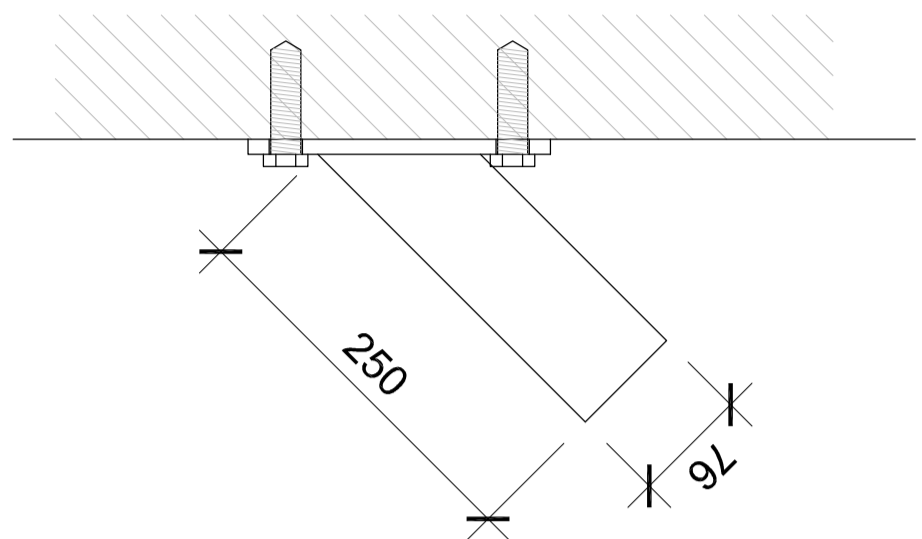
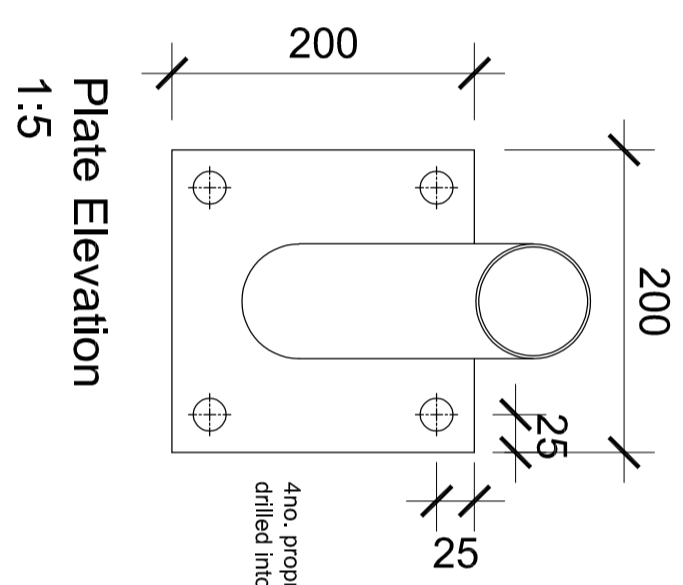


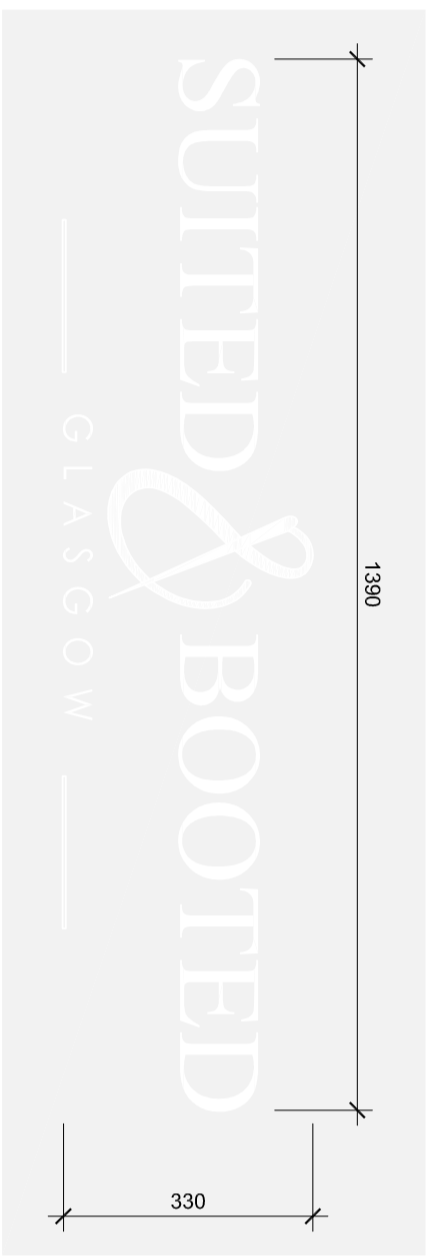
**NOTE**  
 DO NOT SCALE FROM THIS DRAWING.  
 IF IN DOUBT, ASK  
 THIS DRAWING IS THE PROPERTY OF  
 LUCID INTERIORS LTD AND MUST NOT BE COPIED  
 REPRODUCED OR DISCLOSED WITHOUT PRIOR  
 WRITTEN PERMISSION



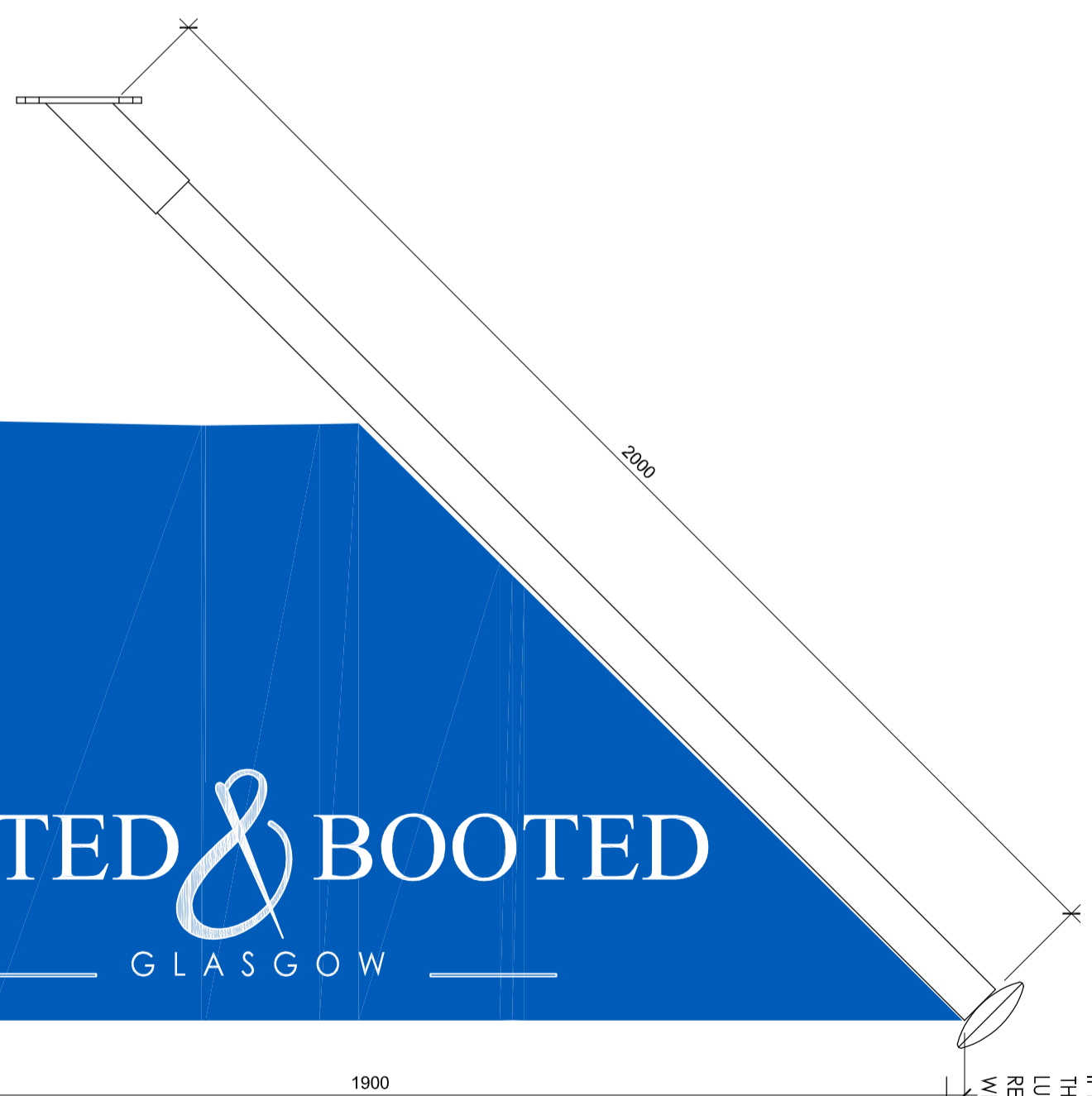
**Plate Fixing Detail**  
 1:5



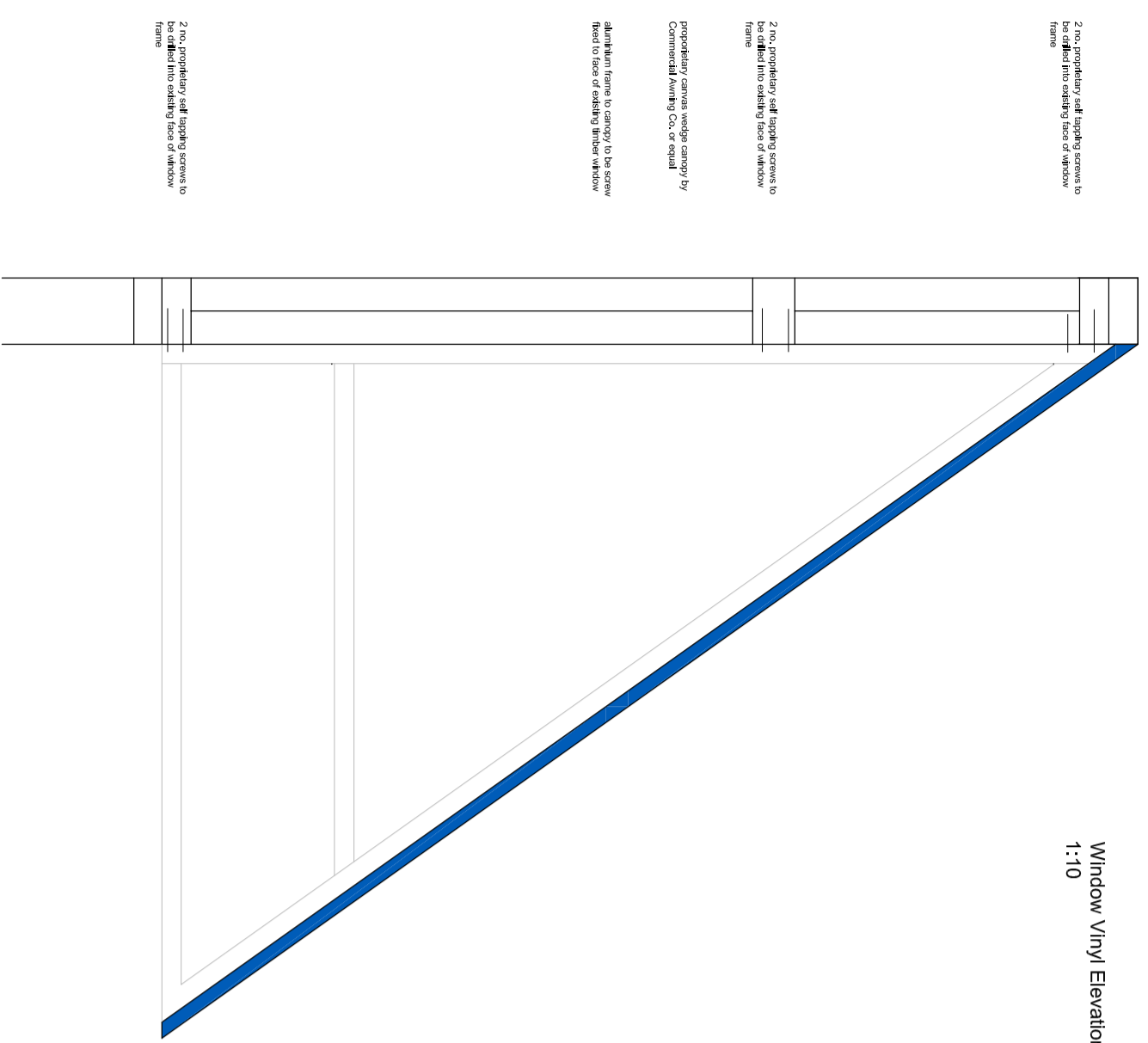
**Plate Elevation**  
 1:5



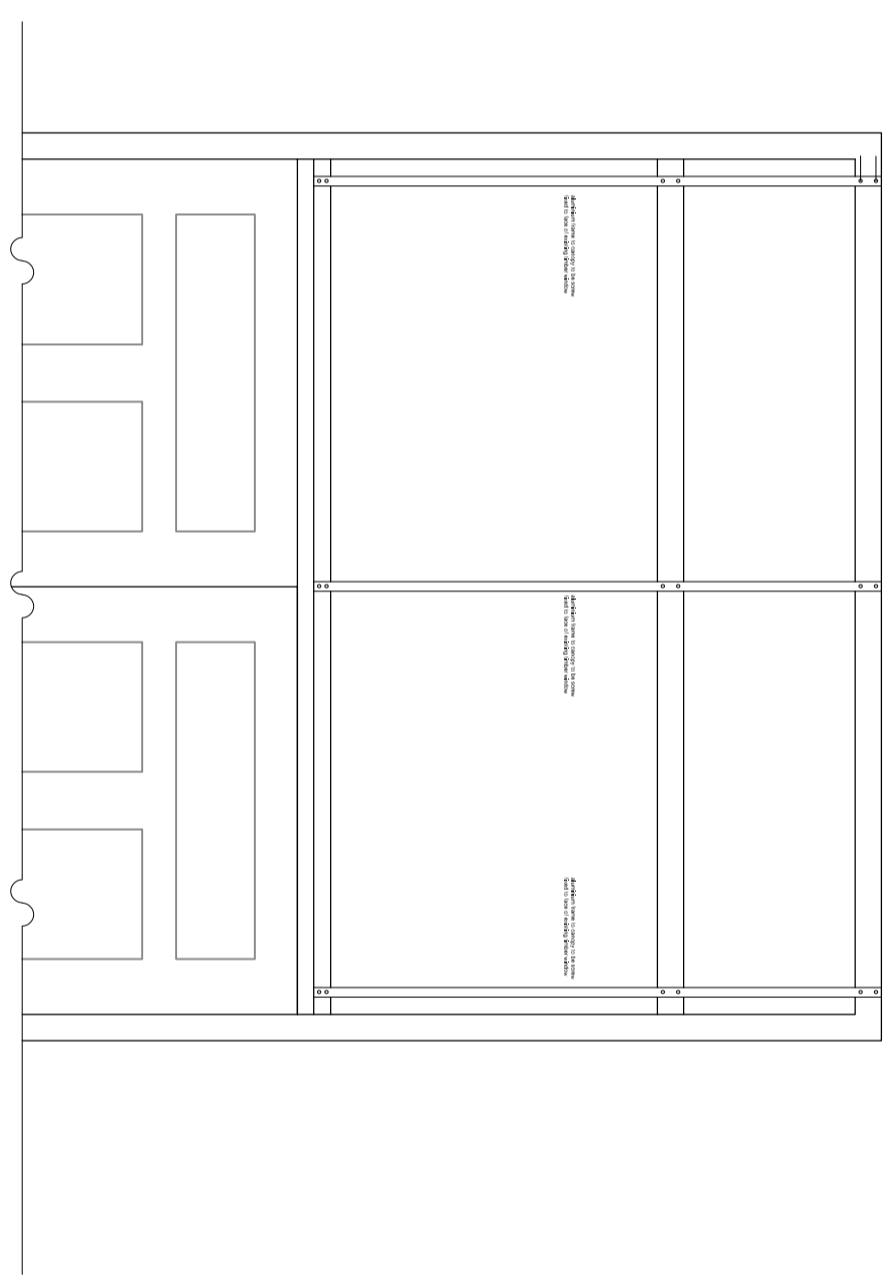
**Window Vinyl Elevation**  
 1:10



**Flag Elevation**  
 1:10



**Section Thru' Canopy**  
 1:10



**Elevation of Canopy Frame**  
 1:20

REVISION	DATE	NOTES

CLIENT  
 SUITED & BOOTED DUBAI

PROJECT  
 PROPOSED NEW CANOPY & FLAGPOLES  
 18 MONTROSE STREET, GLASGOW

DRAWING TITLE  
 PROPOSED CANOPY AND FLAG DETAILS

ISSUE STAGE  
 PLANNING

DATE  
 FEB 24

DRAWN BY  
 BD

SCALE  
 1,200@ A1

DRAWING NUMBER:  
**419-PLA-003**

REVISION

**LUCID**