



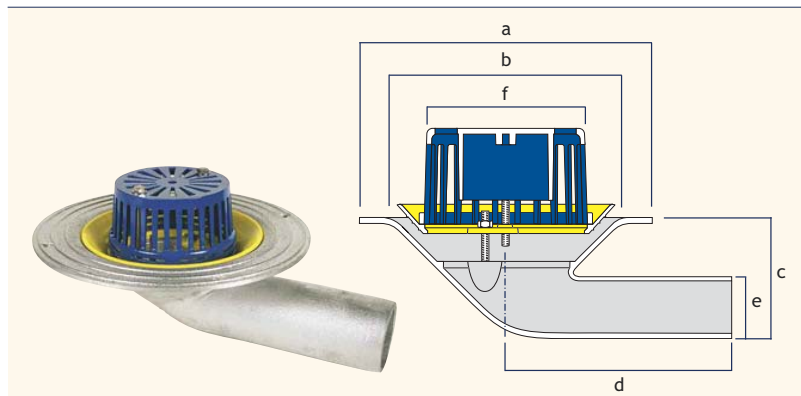
BIM available

Aluminium Roof Outlets - 90° Detail Outlets

Harmer Roof 90° Detail outlets are designed for use with flat roof structures using either insitu cast concrete, timber and lightweight metal deck construction. Harmer Roof outlets are ideal for connection to continuous waterproofing systems using single ply membranes, mastic asphalt or high performance built-up felt.

90° Spigot Outlet - Domical Grate

90° Spigot outlets are suitable for direct connection to cast iron pipework to BS EN 877 and BS 416, HDPE pipework and PVC O-ring socketed pipe to BS 4514 and BS EN 1329-1. Please see Harmer couplings available (page 32).



Flow Rate Note 1 (applies to all tables)
Flow rates are in litres per second based on flow rate test data. Where tested flow rates are greater than pipe capacity limits of BS EN 12056, the pipe capacity limit has been shown. Contact Harmer Technical Services for variable outlet performance to specific depth of water and rainfall intensity.

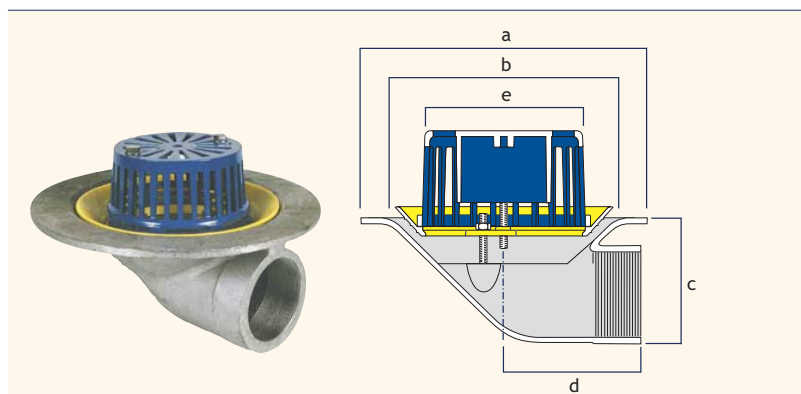
Outlet Size (mm)	a (mm)	b (mm)	c (mm)	d (mm)	e (mm)	f (mm)	Flow Rate ¹ (l/s)	Weight (kg)	Product Code
50	305	229	124	232	62	137	1.69	4.0	290
75	329	229	121	267	83	137	3.31	3.8	390
100	405	305	142	285	110	210	7.19	5.5	490

For flat grate versions add suffix /F to the product code (See page 23)

A range of accessories is available for use with special detail requirements (See pages 23, 32 and 34)

90° Threaded Outlet - Domical Grate

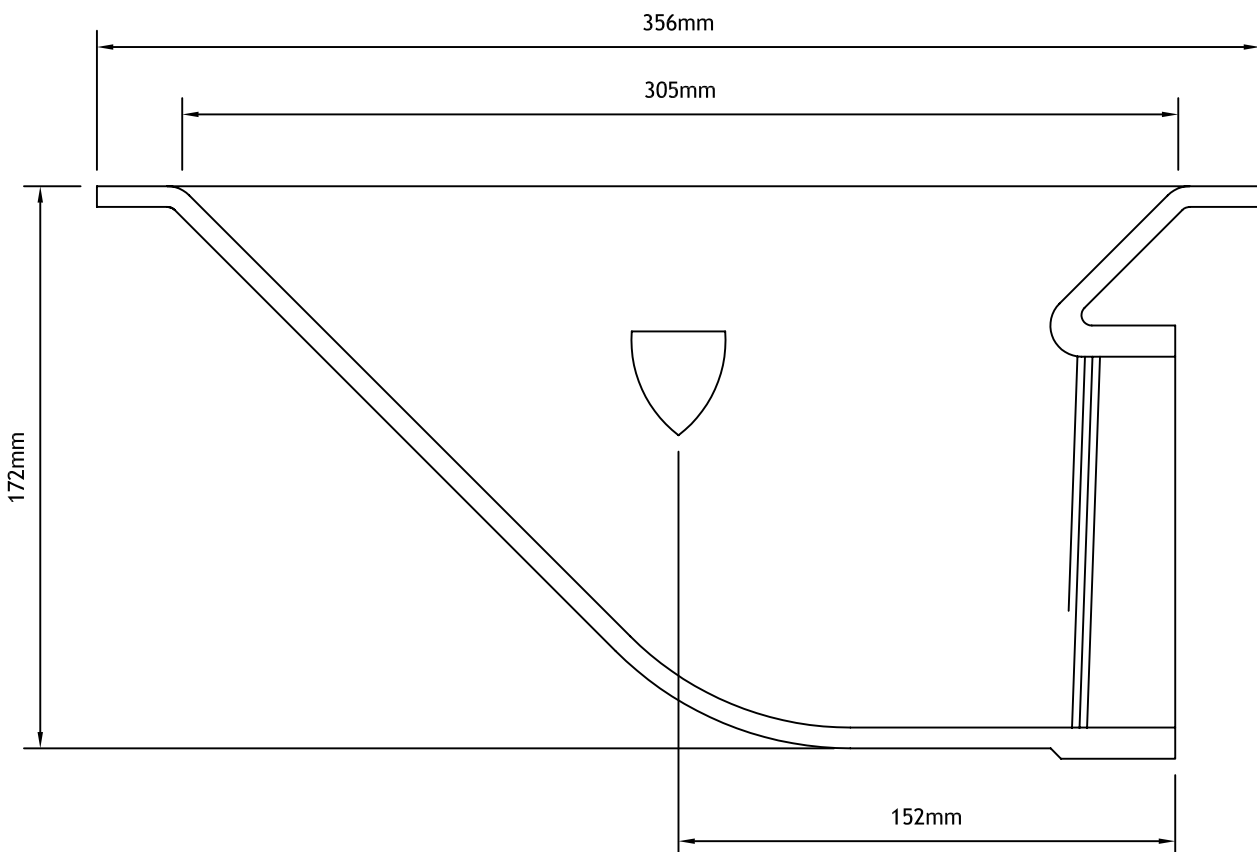
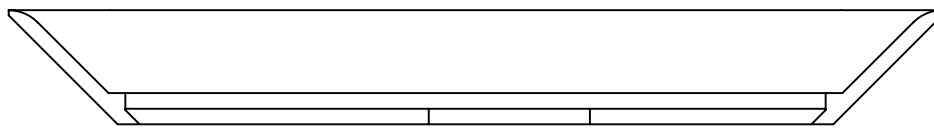
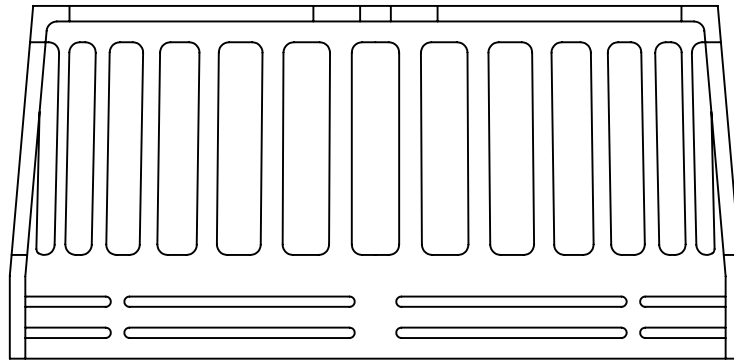
90° Screw outlets have a female socket with parallel thread to BS EN 10226-1 for direct connection to threaded tube conforming with BS EN 10226-1. This tube is supplied with BS EN 10255 taper male thread which ensures a completely watertight joint when screwed home into the socket outlet. Threaded outlets are particularly recommended where a connection to the outlet occurs within the thickness of a concrete slab. In such cases, a threaded connection will create a completely gastight seal within the slab. Harmer Roof AV threaded outlets can be connected to socketed and socketless cast iron pipework, HDPE pipework and PVC pipework by means of the Harmer Roof Threaded Spigot Adaptor (page 34) with appropriate Harmer coupling (page 32).



Outlet Size (mm)	a (mm)	b (mm)	c (mm)	d (mm)	e (mm)	Flow Rate ¹ (l/s)	Weight (kg)	Product Code
50	305	229	127	140	137	1.69	3.9	290T
75	305	229	127	140	137	3.39	3.7	390T
100	356	305	172	152	210	7.29	5.5	490T
150	356	305	225	152	210	10.01	7.0	690T

For flat grate versions add suffix /F to the product code (See page 23)

A range of accessories is available for use with special detail requirements (See pages 23, 32 and 34)



Note: This drawing is intended to illustrate the correct application of Alumasc products only. All other elements are shown indicatively and it is not the intention to detail building construction.



ALUMASC EXTERIOR BUILDING PRODUCTS LTD
 White House Works, Bold Road, Sutton
 St Helens, Merseyside, WA9 4JG, UK
 Telephone: +44 (0)1744 648400
 Facsimile: +44 (0)1744 648401
 Website: www.alumasc-exteriors.co.uk
 E-mail: technical@alumasc-exteriors.co.uk

Drawing title:
HARMER ROOF DRAINAGE
90° SCREW OUTLET

Detail is valid only when approved by the Architect / Contractor concerned

Drawing No:
 AV290T

Scale:
 NTS

Revision:

Date:
 05.06.06