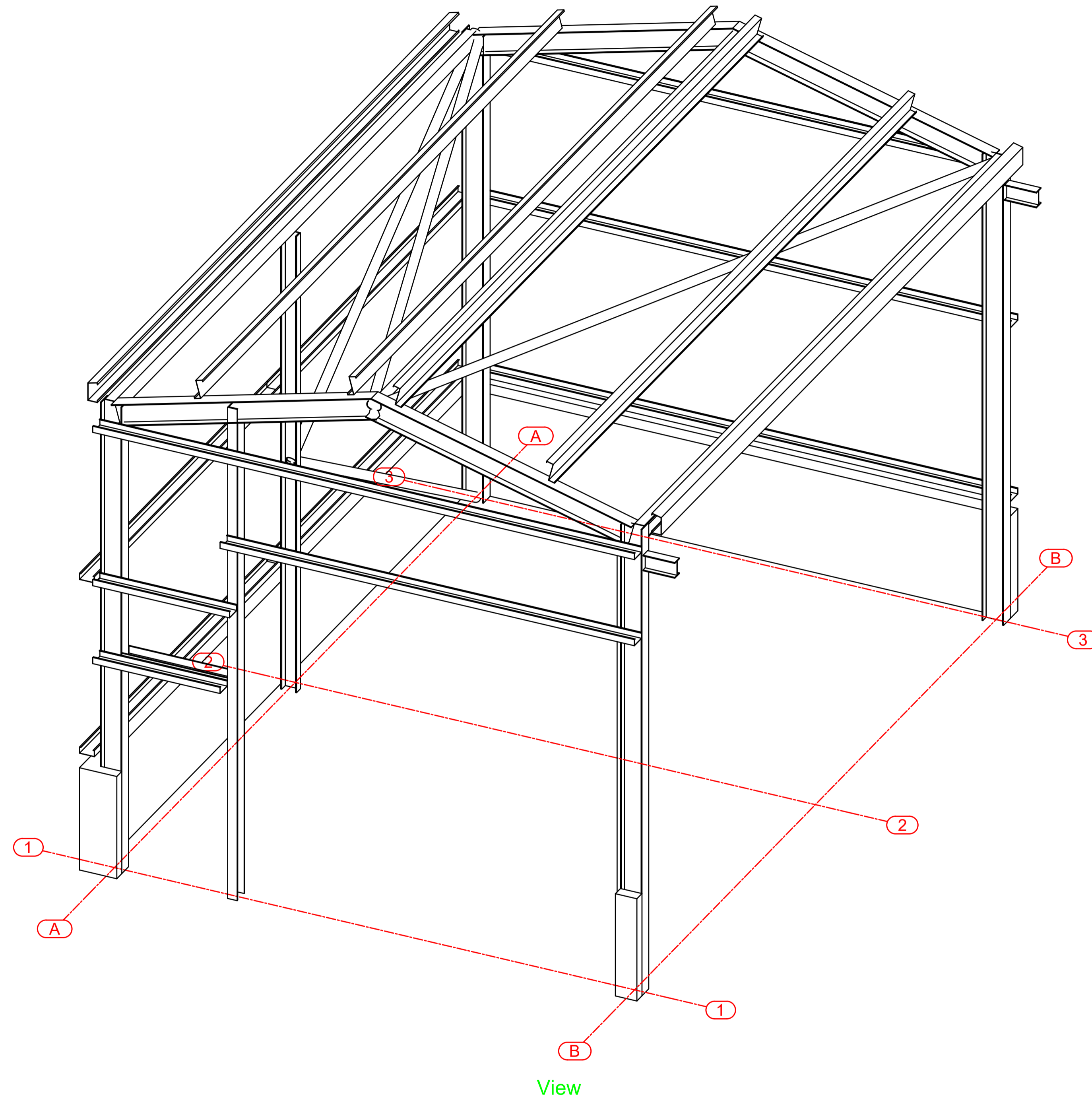


General Notes  
This drawing must not be scaled.



Index	Date	Description
REVISIONS		
Innovation Works, Cumbly Hill Business Park, Cumbly Corner, Market Rasen, LN8 2BU 01522 878 500 www.timmsengineering.co.uk		
ISSUE STATUS		
CLIENT Interec		
PROJECT Storage Building		
DRAWING TITLE		
DRAWN BY L.H	CHECKED BY L.H	DATE 10/10/2023
PROJECT NO. TEC-4682	DRAWING NO. [G]-103	SCALE 1:25