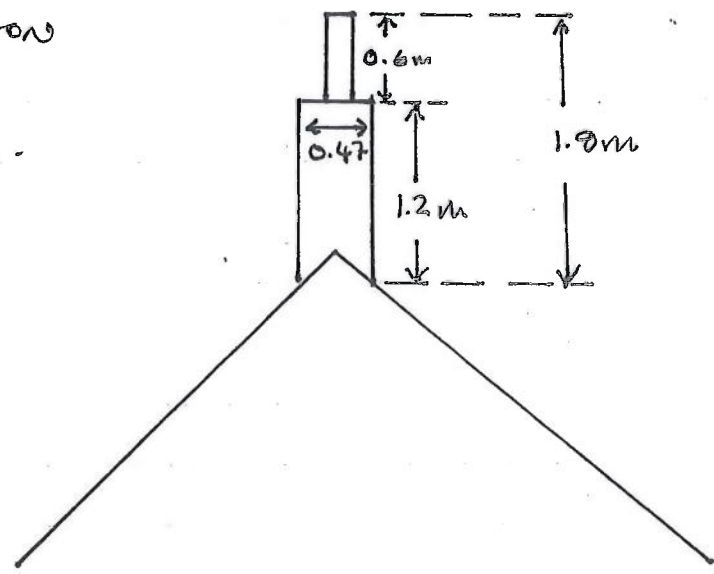


88 STATION ROAD, HISSON  
+ /00607 / HFUL  
2/2/24 J.A. Anderson



SIDE ELEVATION (1:50 SCALE) SHOWING NEW HEIGHT OF  
CHIMNEY BRICKWORK (SAME POT) IN LIKE FOR LIKE  
BRICKS + MORTAR TO ACHIEVE REQUIRED 1.8m TOP OF  
POT TO THATCH. NO OTHER DIMENSIONS ALTERED.