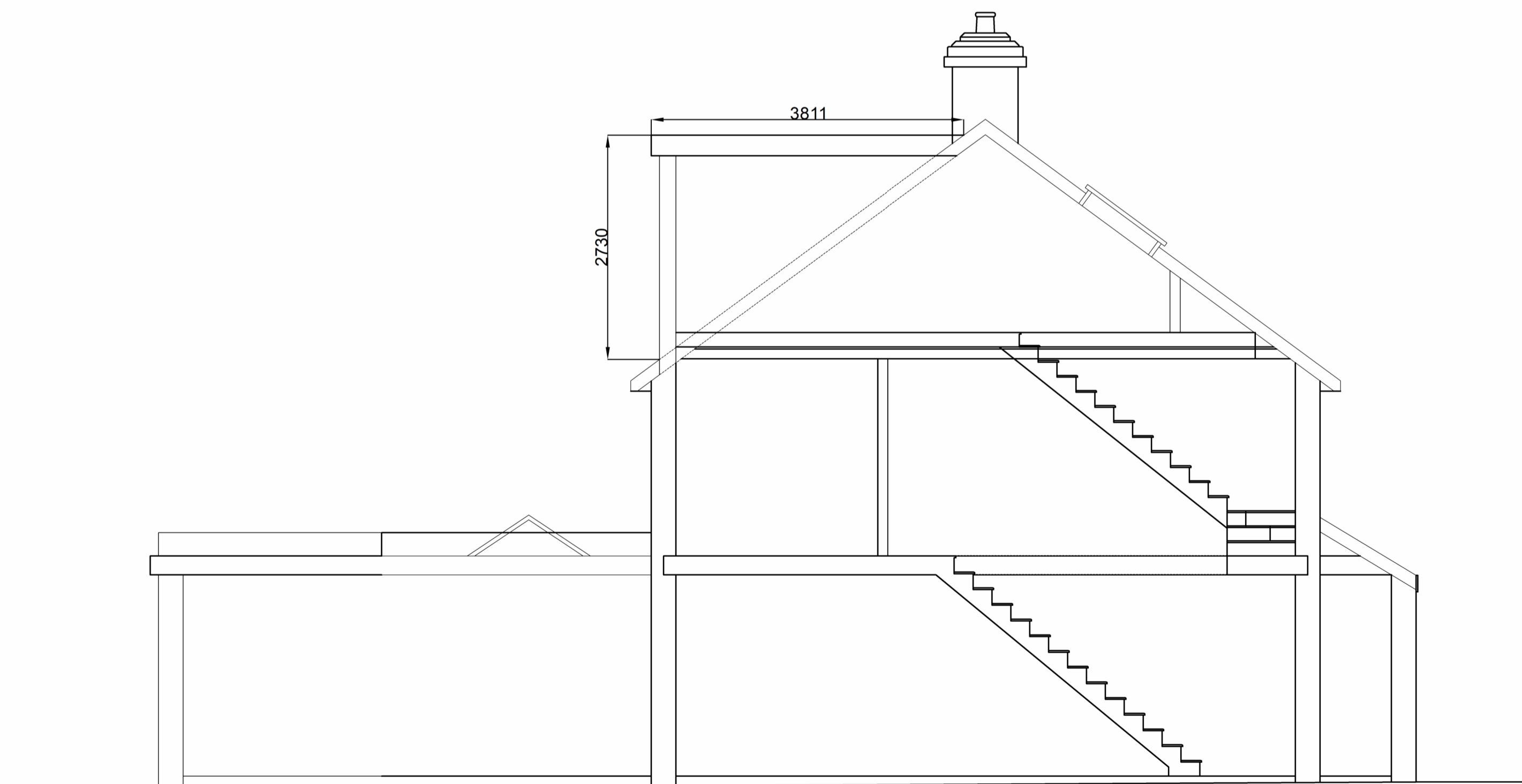
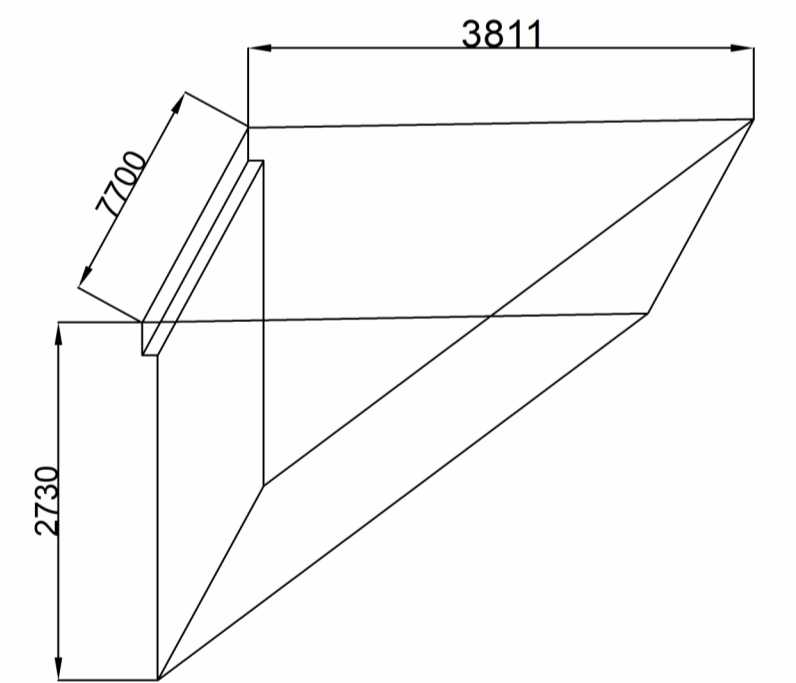


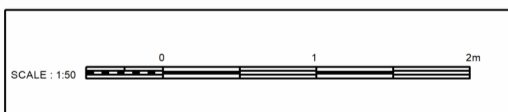
Existing Left Side Section



Proposed Left Side Section



$$\text{Volume(Vd)} = \frac{1}{2} \times 3.811 \times 7.700 \times 2.730 = 40.05 \text{ Cu.m}$$



TITLE: Proposed Single Storey Rear Extension and Loft with Rear Dormer @ 18 Hurstwood Avenue, Bexley DA5 3PH			
DRAWING TITLE: Existing And Proposed Sections	SCALE: 1:50 @A1	DATE: JAN 2024	DWG NO: 1494/06C
<small>D.R.A LUMSDEN D.R.A LUMSDEN LTD. BEng(Hons)C.Eng.M.I.Struct.E. 23 Castletfields, Istead Rise, Kent DA13 9EJ</small>			