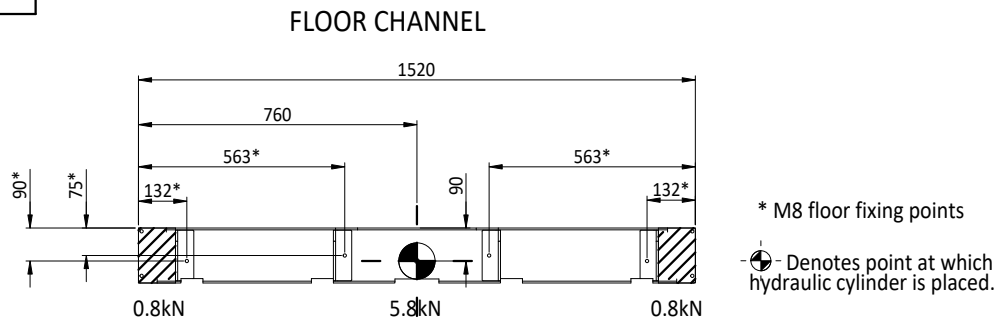


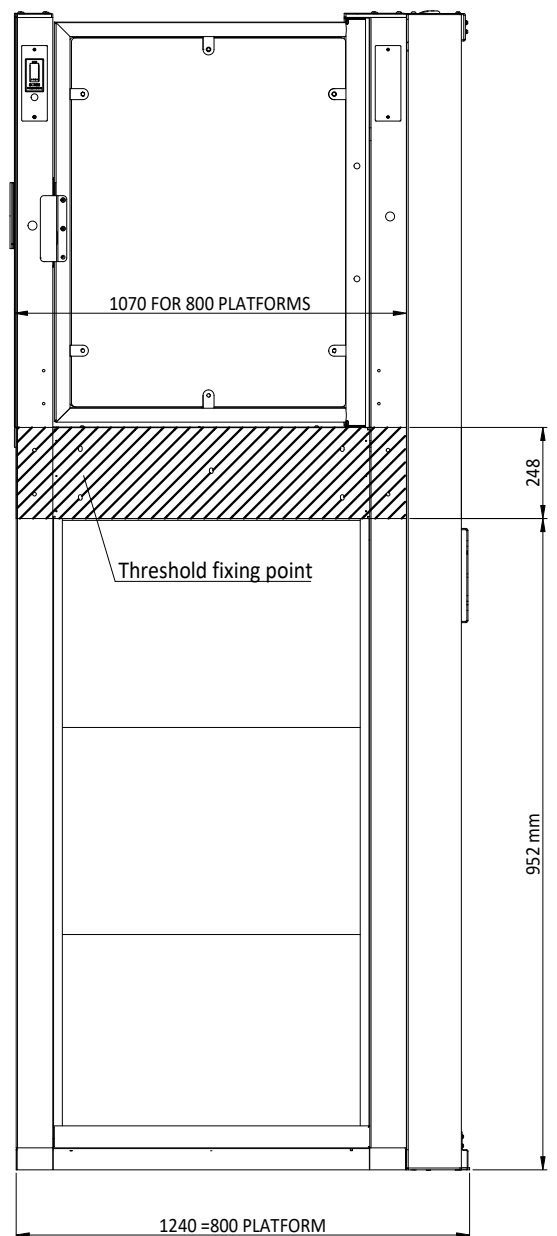


Remove All Sharp Edges  
Do Not Scale  
If In Doubt - Ask!

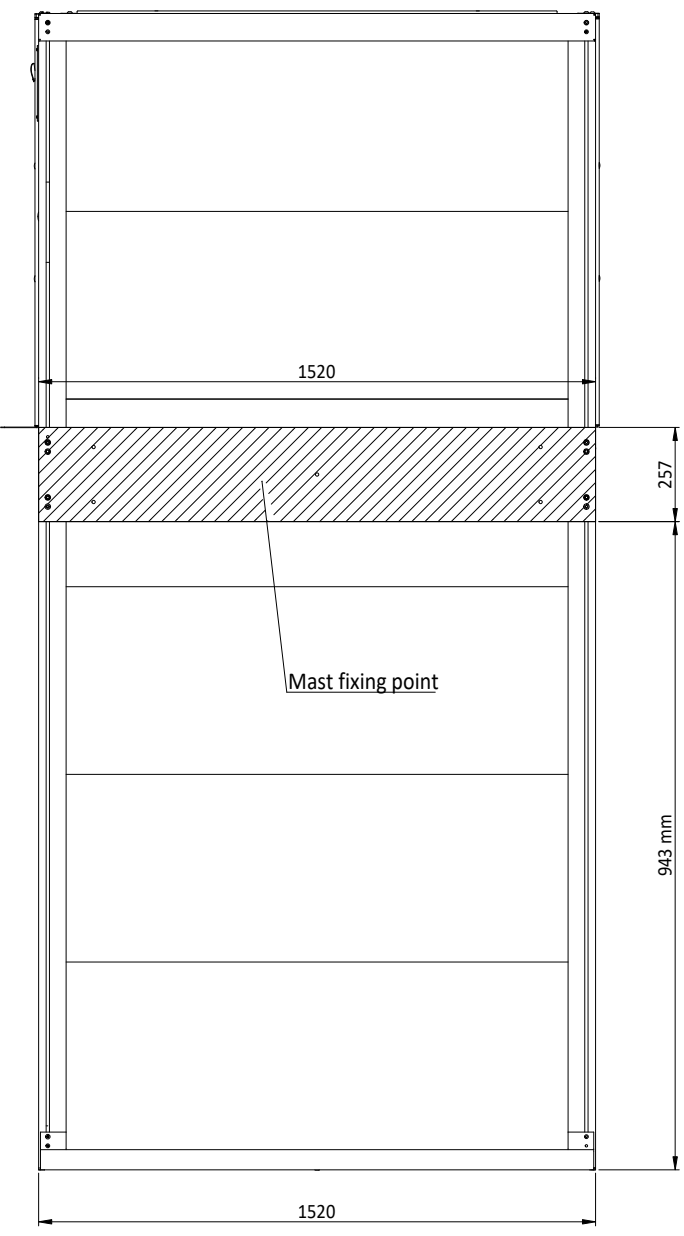


INDICATIVE ONLY NOT TO SCALE

THRESHOLD FRAME FIXING



SUPPORTING MAST FIXING



Rear Supporting Mast:-

The lift will be installed with a rear supporting mast. This mast will be secured in position via 5 fixings, refer to table for fixing specification. Fixing points will be located as per dimensions and have a minimum pullout load of 1.1kN per fixing.

The minimum height of any supporting wall shall match that of the threshold wall. Any wall should be made of a solid construction and capable of withstanding an overall load of 5.5kN, without movement and deflection. Any supporting wall will need to be vertically level to within 5mm. Refer to option Mast Support Post for sites with no supporting wall. Note, Mast Supports Post will increase the base width by 270mm.

Threshold Wall:-

The threshold wall shall be made of a solid construction and capable of taking an overall load of 5kN. The front face must be smooth and vertically level within 5mm. The threshold frame will be secured in position via 5 fixings, refer to table for fixing specification. Fixings points will be located as per dimensions and will have a minimum pullout load of 1kN per fixing. Lift entrances should be flat, free from obstructions and horizontally level to within 5mm

Floor Channel:-

There must be no under-floor heating or any pipe work in the area of the lift base. The Floor Channel will be fixed in position via 4 off M8 fixings, as per detail. The channel applies a maximum load of 7.4kN to the base. The client must provide a suitable solid base capable of withstanding the loads detailed without movement and deflection.

Fixing Detail:

Construction Type	Fixing Type
Concrete	M8x75mm Concrete Screwbolt
Masonry	M8x75 Masonary Bolt & Nylon Plug

Minimum Base Dimensions:

Base Dimension (mm)	LL800
Base Width	1240
Base Length	1520

ALTERATION	INITIALS	DATE	REV
INITIAL DRAWING RELEASE	A.P.	11.12.23	A



THIS DRAWING IS THE PROPERTY OF WESSEX LIFTS CO LTD AND MAY NOT BE PUBLISHED, REPRODUCED OR USED FOR MANUFACTURE WITHOUT THE EXPRESS PERMISSION OF THE OWNERS IN WRITING

All Dimensions in mm (UOS)  
TOLERANCES (Unless Otherwise State)  
Decimal Places:  
X = ± 1mm  
X.X = ±0.25mm  
X.XX = ±0.125mm  
ANGULAR = ±0.5°  
Thread ISO Course Class 6  
Hole Size = H11

DRAWN BY:	A.P.	DATE:	11.12.23
MATERIAL:	SEE SALES SPECIFICATION		
FINISH:	SEE SALES SPECIFICATION		
WEIGHT:	N/A		
SCALE:	DO NOT SCALE	Sheet Size:	A3

TITLE  
PROPOSED ARRANGEMENT OF EXTERNAL STEPLIFT (LL800) AT 105 REGENT ROAD, B69 1TS

DWG NO:  
**10352**