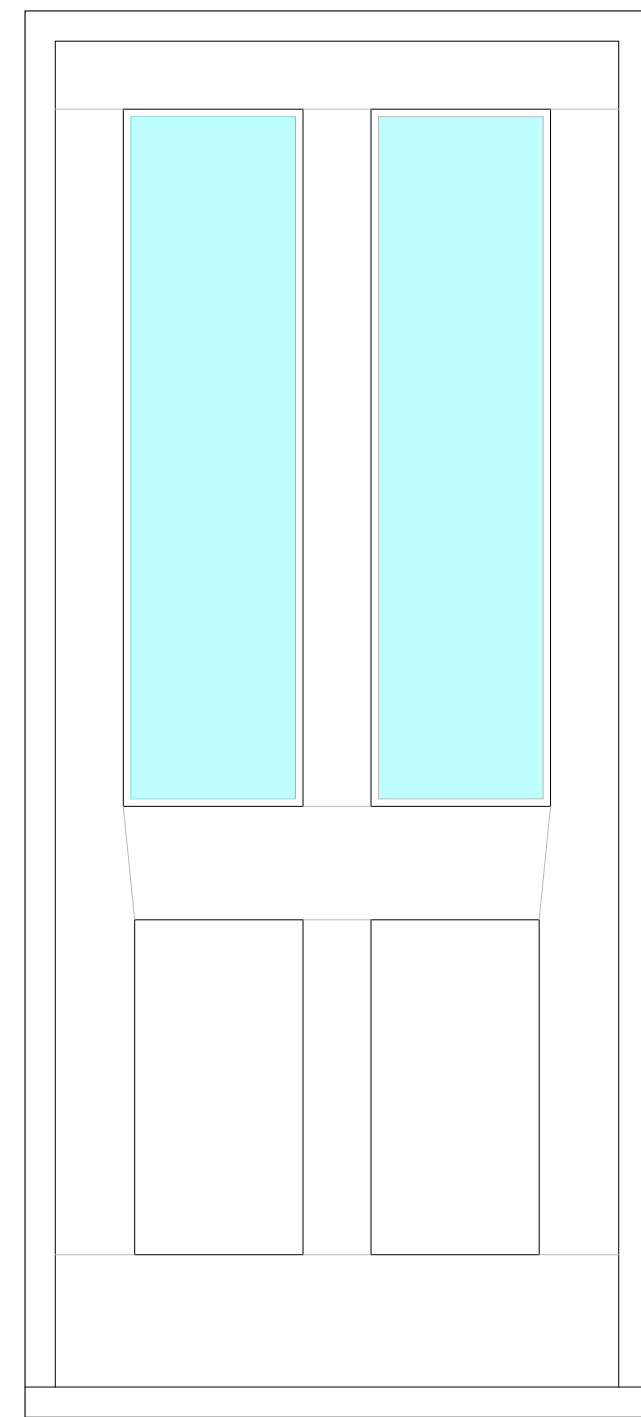
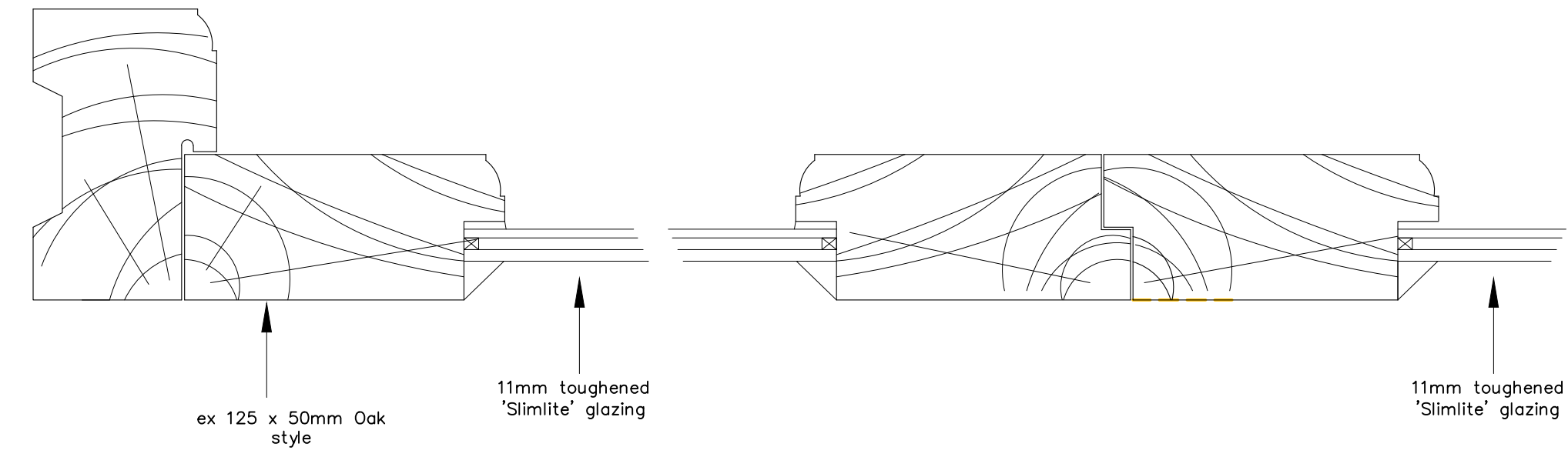


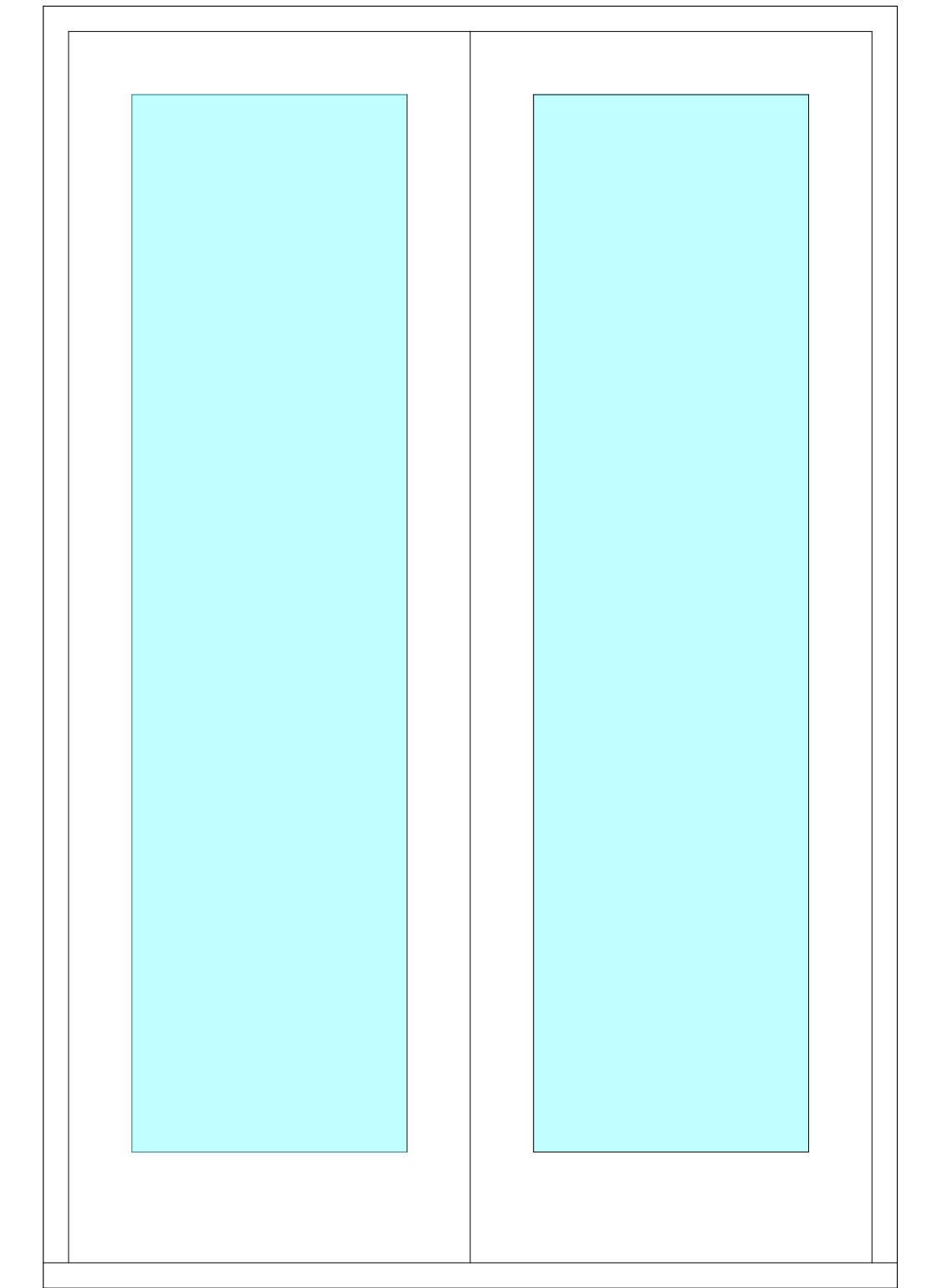
Type 1
scale 1:10



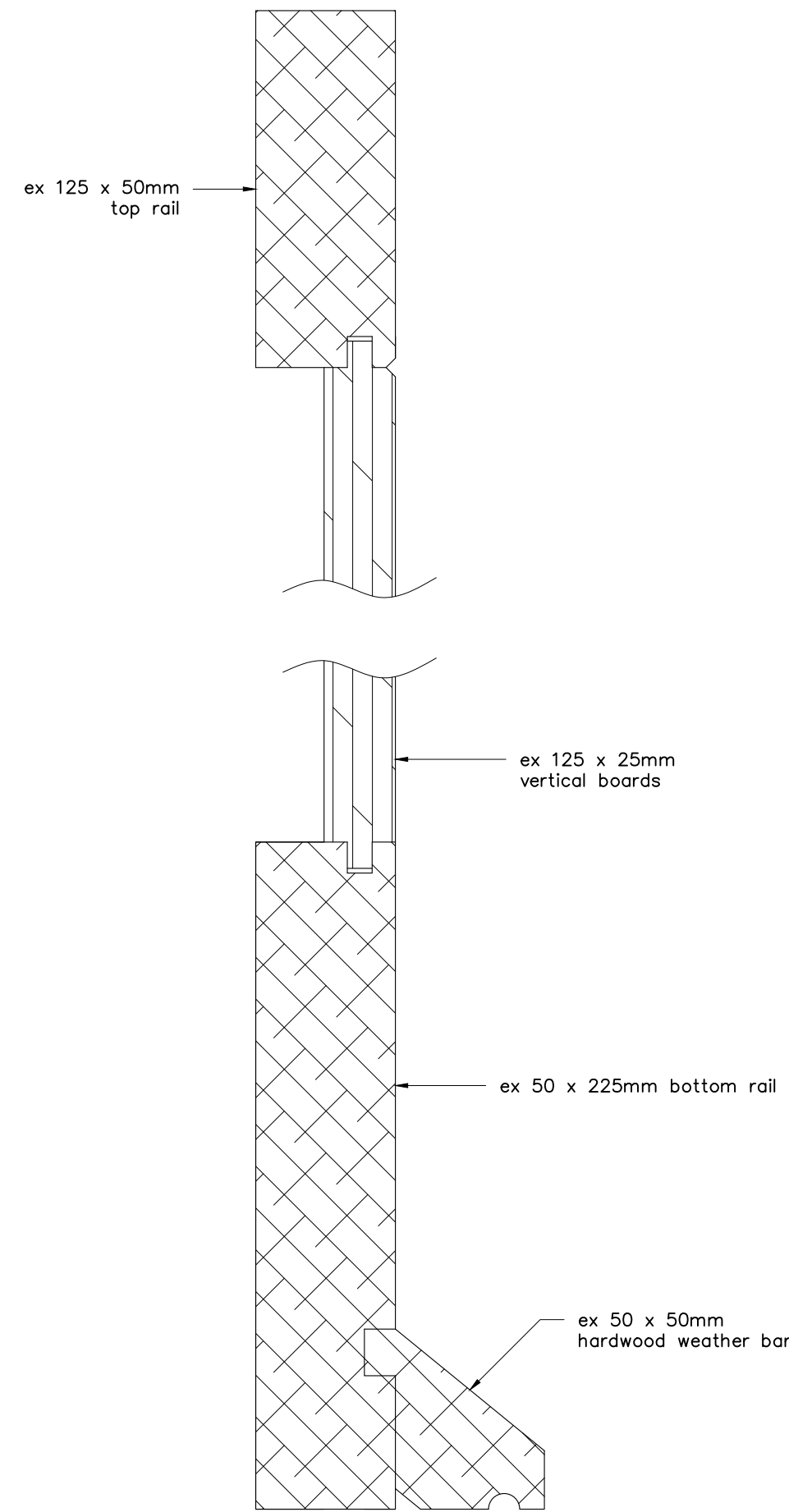
Type 2
scale 1:10



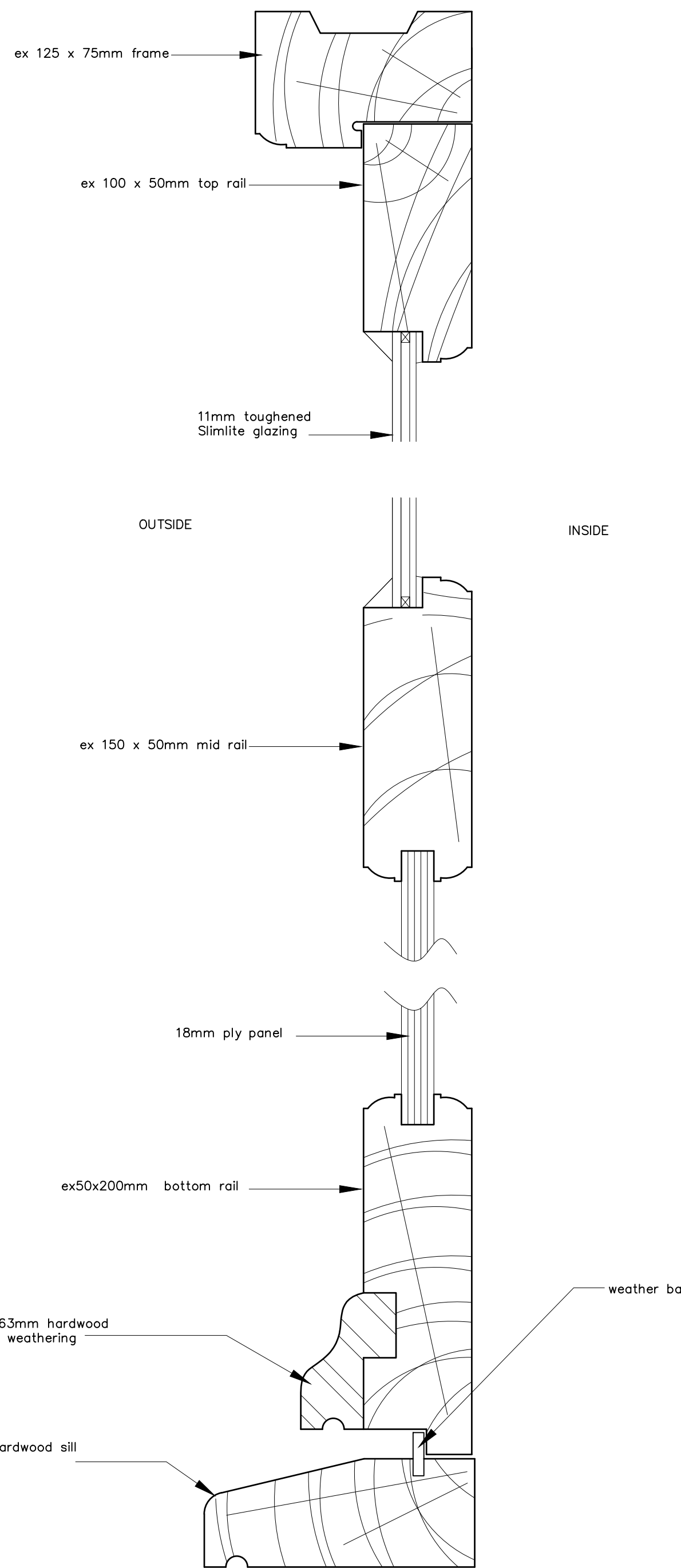
Type 3 door horizontal section 1:2



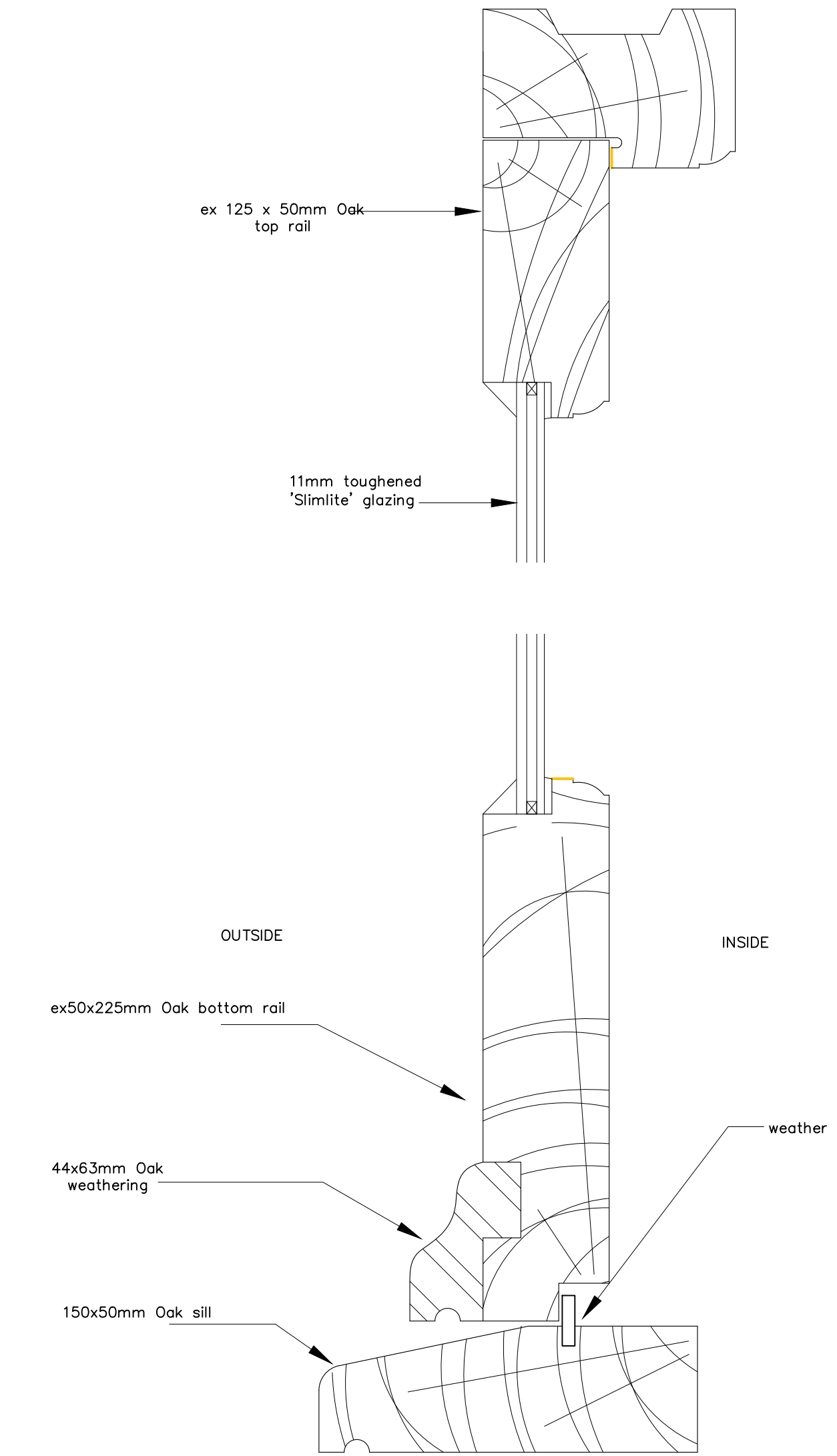
Type 3
scale 1:10



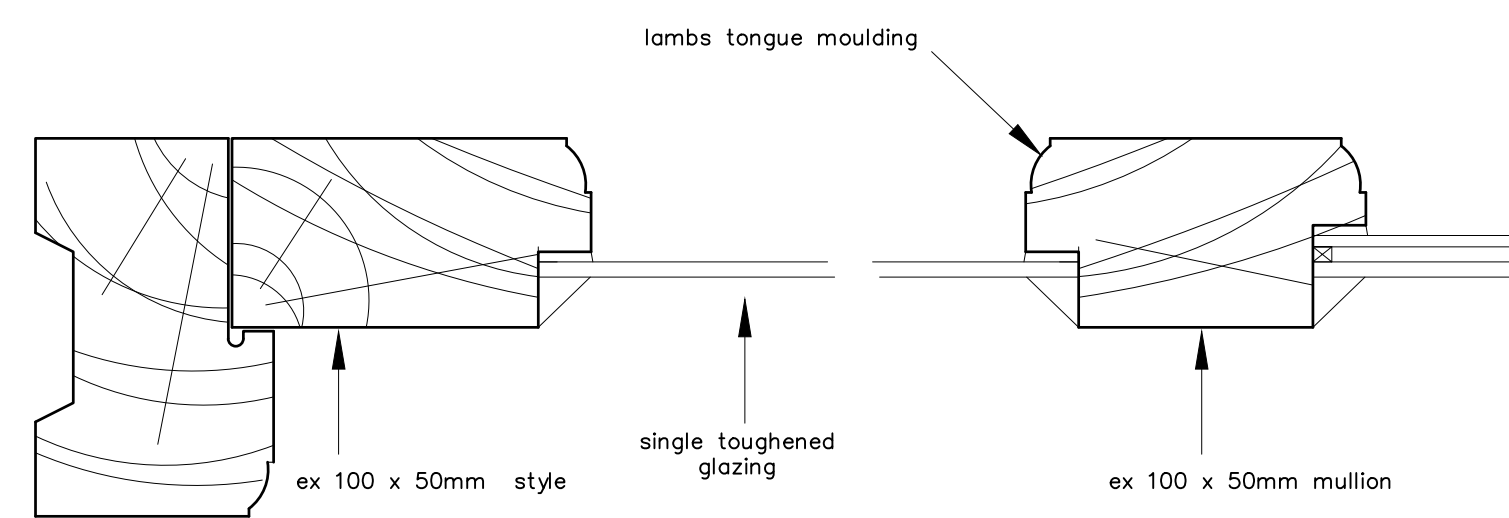
Type 1 vertical section
1:2



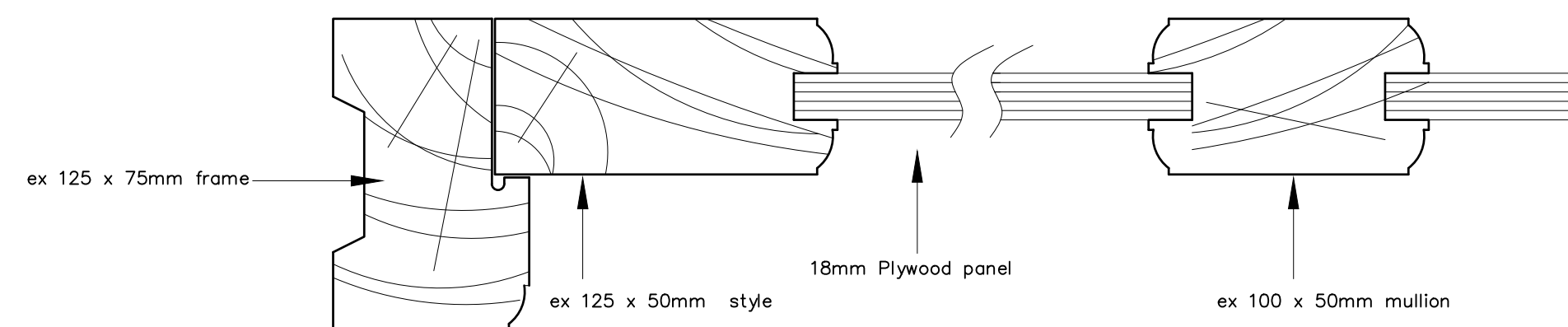
Type 2 vertical section 1:2



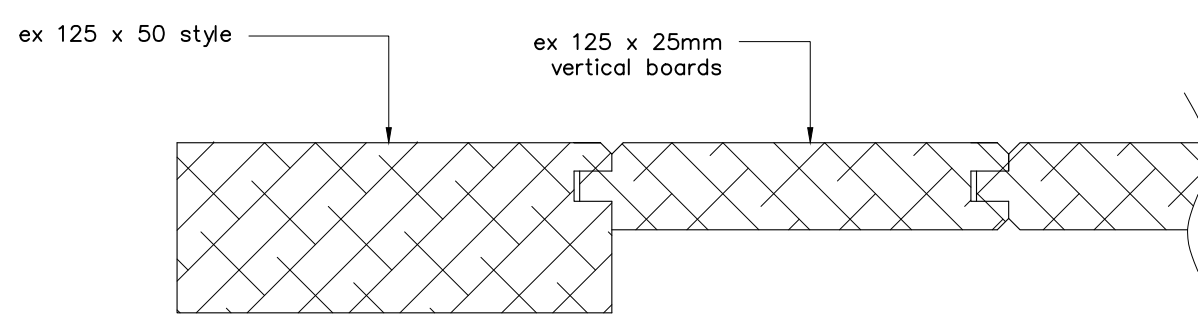
Type 3 door vertical section 1:2



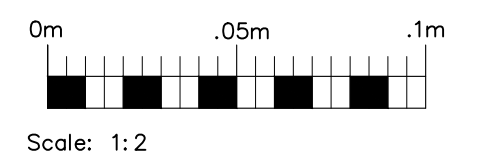
Type 2 horizontal section through glazing 1:2



Type 2 horizontal section through solid panel 1:2



Type 1 horizontal section
1:2



revision	description	date

Client: Mr J Naughton
 Job Title: The Cottage, Felsham
 Drawing Title: External door details
 Scale: 1:10 Drawn By: MS Date: Dec 2022
 Job Number: 6900 Drawing Number: 08.0 Status: Planning

whitworth
 Chartered Architects & Chartered Building Surveyors
 Unit 12 Park Farm, Farnham St Genevieve, Bury St Edmunds, IP28 6TS
 01284 760421 info@whitworth.co.uk www.whitworth.co.uk

NOTE:
 Do not scale from this drawing. Confirm all dimensions on site. Refer any discrepancies to the Architect before work is put in hand. Read this drawing in conjunction with the relevant sections of the specification, schedule of works and other drawings.

This drawing is copyright of whitworth.