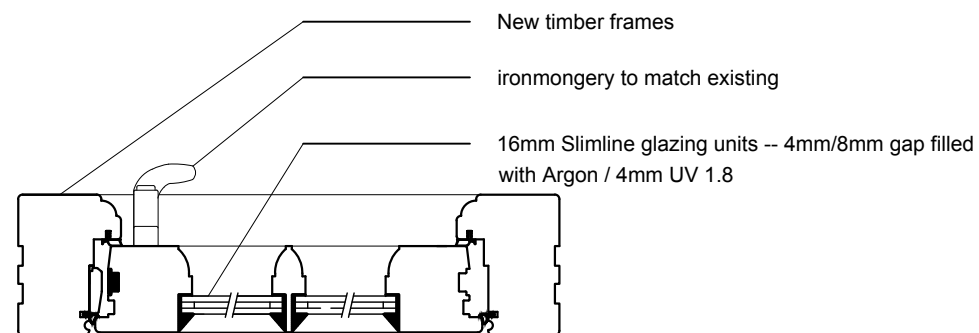
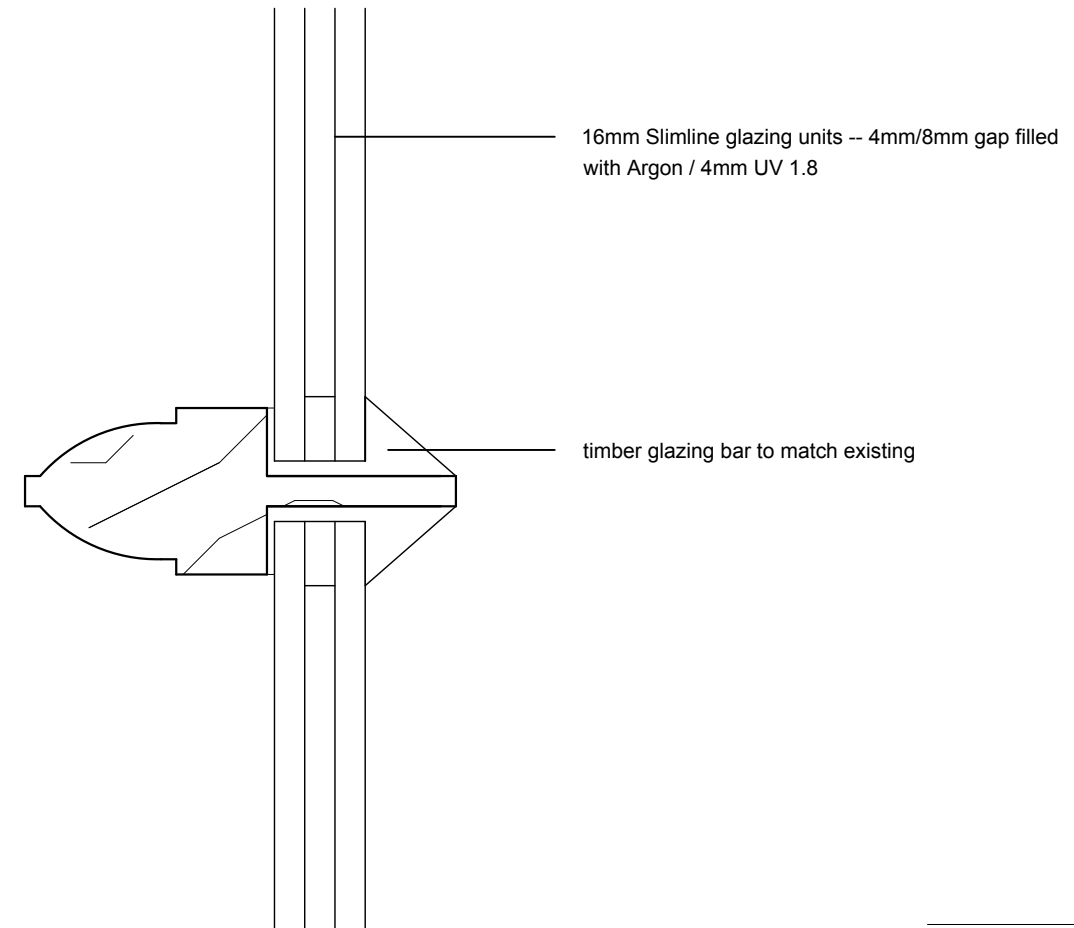


Typical Sash Window Jamb Detail



Typical Sash Window Jamb Detail



Glazing Bar Section 1:1

Issued for Planning		TBC	A
 LOCKSLEY ARCHITECTS			
Architect Details 11 Pembridge Mews, Notting Hill, London W11 3EQ info@locksleyarchitects.com 0207 206 2727			
Project 19 Shouldham Street			
Title Sash Window Detail			
Job No	Dwg No	Revision	
1115	D01	A	