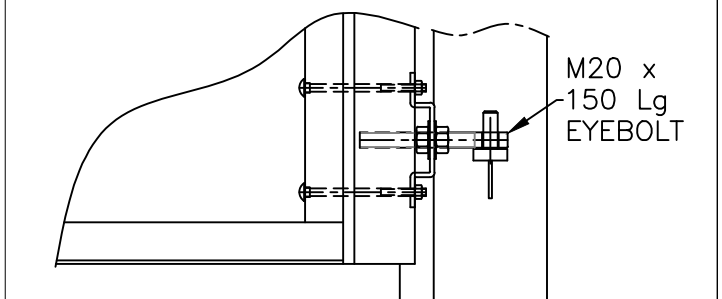
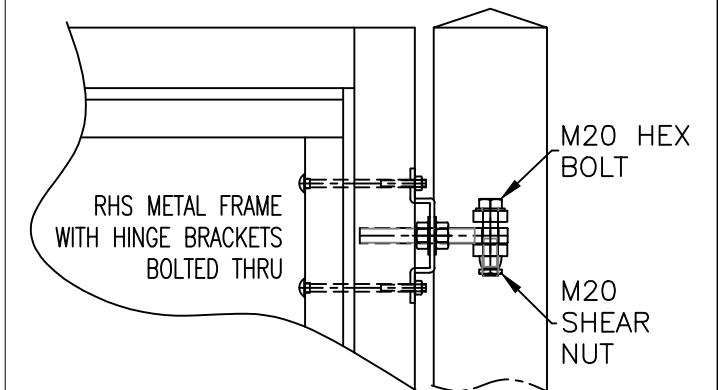
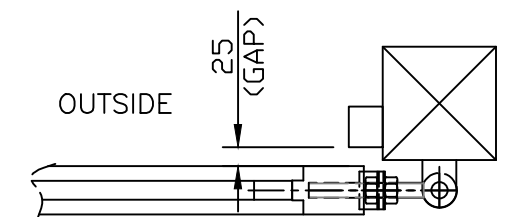


TIMBER CLAD POST OPTION
(17mm THK CLADDING)



VIEWED FROM INSIDE

GATES CAN BE SUPPLIED WITH OPTIONAL FITTINGS PACK, WHICH INCLUDES:
RING LATCH
DROPBOLTS & RECEIVERS
STOP POSTS & CABIN HOOKS
CENTRE GATE STOP

JACKSONS RESERVE THE RIGHT TO CHANGE THE STANDARD DESIGN TO IMPROVE THE PRODUCT AT ANY TIME

NOTES.
ALL DIMENSIONS ARE IN mm (UNO)
GAPS UNDER GATES & FENCING ARE NOMINAL DUE TO GROUND LEVELS.

MATERIALS.
GATE POSTS: 150 x 150 SHS

FINISH.
TIMBER: JAKCURED
GALVANISED TO BS EN ISO 1461
POWDER COATED: IF REQUESTED

Jacksons Fencing

Stowting Common, Near Ashford, Kent. TN25 6BN
Telephone: 01233 750393
Fax: 01233 750403
www.jacksons-fencing.co.uk
www.jacksons-security.co.uk

DO NOT SCALE - IF IN DOUBT ASK

- ⑦ 02/05/2017 BORDER + BOT MID RAIL
- ④ 10/01/17 Shear nut rev'd
- ③ 29/04/13 Tor Rail Section Checked Correct
- ② 15/12/09 S/STRIP GAP NOW 25 mm
- ① 02/09/09 CGS/TEXT

Drawn WB
Date 25/01/2007
Checked
Size A3 Scale 1:20 U.O.S

TITLE SALES DRAWING - STOCK COURTYARD GATES
RYE DOUBLE: 1.8m HIGH x 3.1m WIDE

CUSTOMER
ACK No.

Drawing No.
J7/02177
Sheet 3

This Drawing Is The Property Of H.S. Jackson & Son (Fencing) Ltd, And May Not Be Copied Or Reproduced In Any Way Without Prior Written Permission.