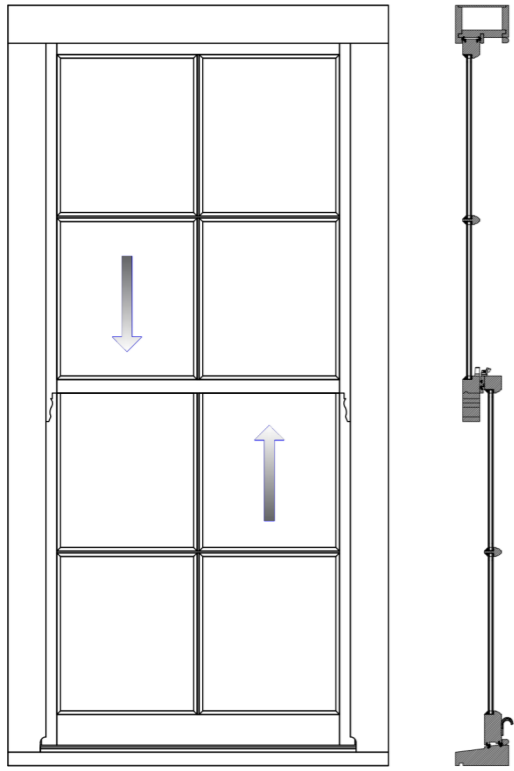
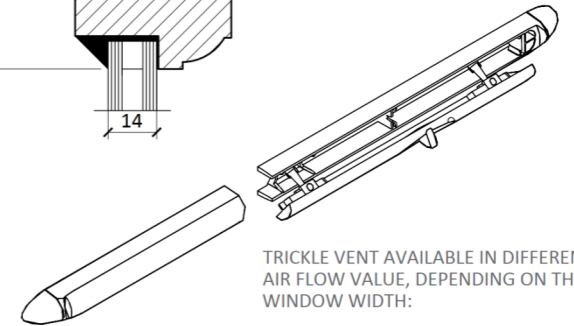
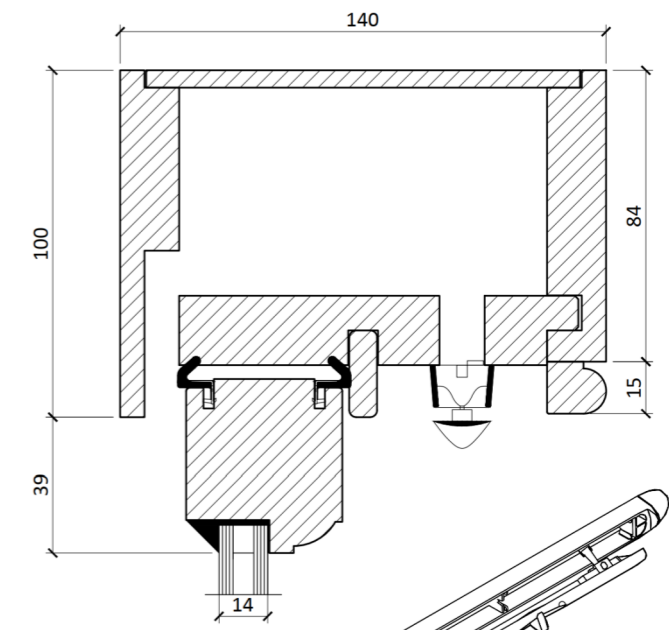
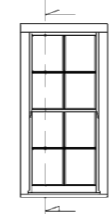
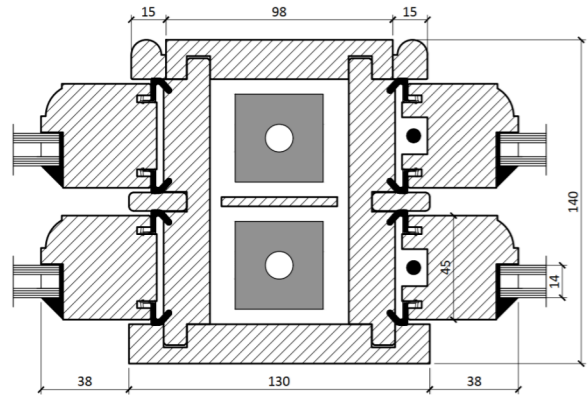
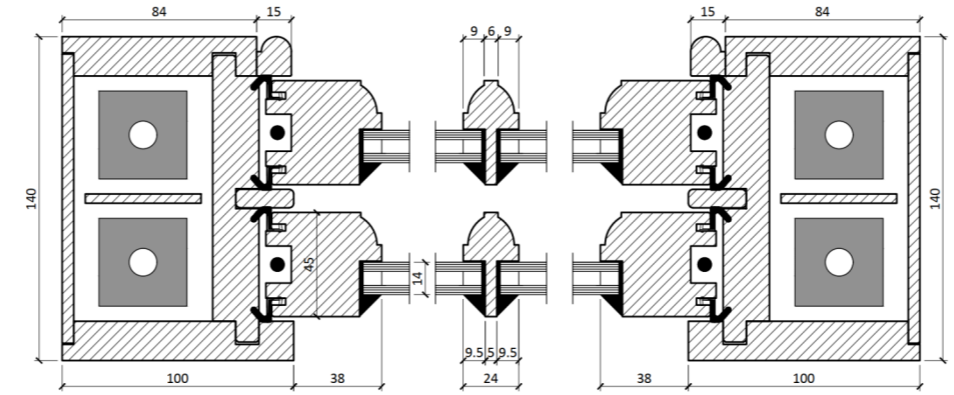
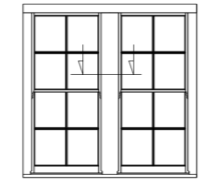
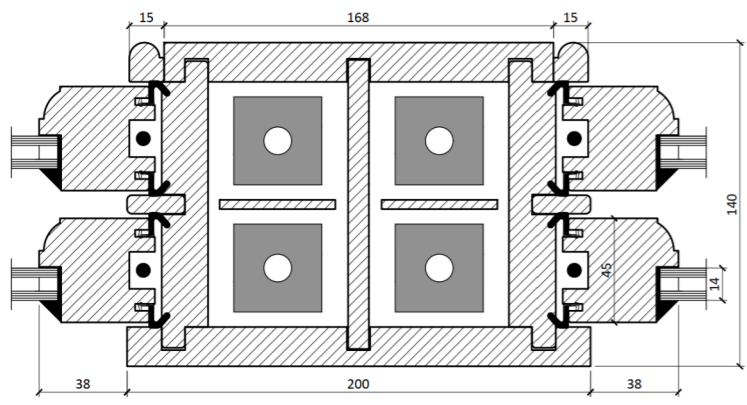
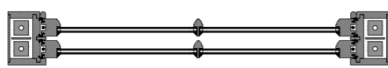
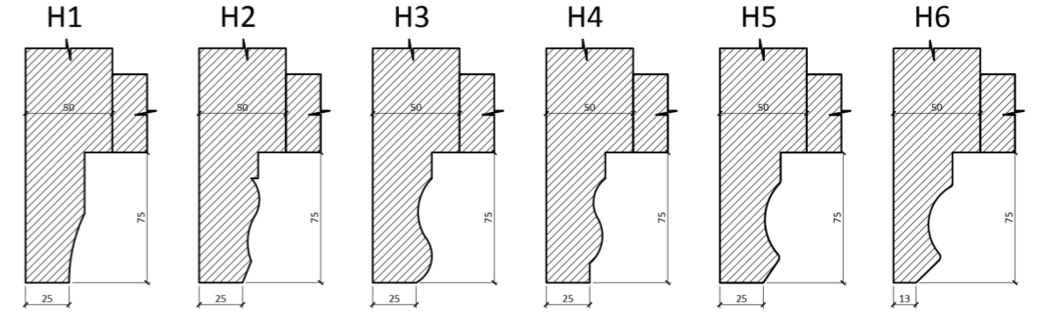
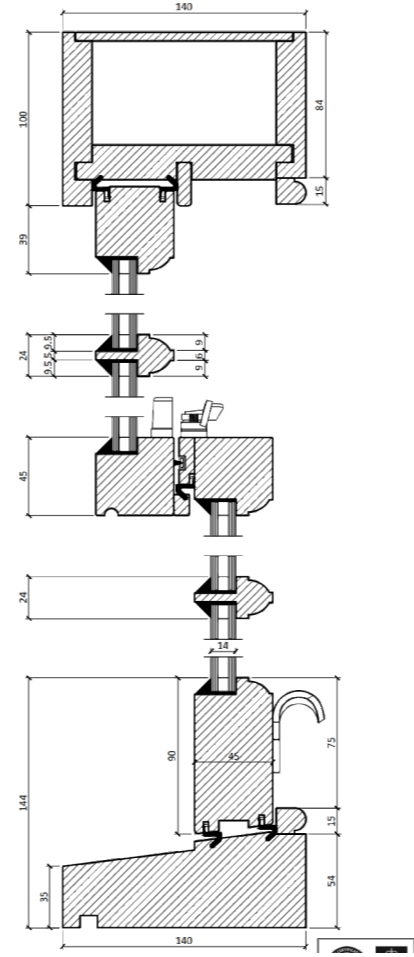


# Heritage Box Sash Window Detail

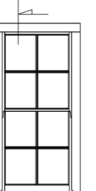


Material	Manufactured in selected engineered laminated pine or hardwood, sourced from sustainable and managed forestry (FSC or PFEC certified)
Mechanism	Sashes are hung on cords or chains, operating over pulleys and counter balanced with lead weights
Weatherseal	The window is fully weather sealed to BS EN 6375-1 2009
Glazing	Windows are glazed using Slim sealed units and traditionally sealed externally using a glazing compound
Glass	Slim dual sealed units complying with BS EN 1279 parts 1-6 up to 20mm thickness typically achieving a whole window Acoustic value up to 36dB noise reduction
Thermal Performance	Thermal performance is calculated by the standards of EN ISO 10077-1:2006 and typically this window achieves a U-value of 1.6 W/m²K or better
Glazing Bars	Solid traditional framed glazing bars with individual glass units
Cills	Manufactured in Hardwood with options of cill projections.
Horns	Solid feature horns to top sashes are included as standard (See Drawing No H-001)
Fittings	A lockable Fitch fastener and two finger pulls to the bottom sash with options in colour and finish.
Ventilation	A controllable trickle ventilator can be fitted to the window dependant on width of frame (See Drawing No HERITAGE-140/06)
Restrictors	Restrictors which allows the opening of the sash to be restricted to 100mm is an option
Factory Finishing	To ensure the smooth operation and optimum performance of the window, we apply 3 coats of sprayed applied microporous water based paint system



TRICKLE VENT AVAILABLE IN DIFFERENT AIR FLOW VALUE, DEPENDING ON THE WINDOW WIDTH:

- \* - 1700 mm² EA
- \* - 4400 mm² EA
- \* - 5000 mm² FA



REV: A	
REV: B	
REV: C	
REV: D	
REV: E	
REV: F	



www.brahma.london  
0203 886 2050

REV:	SCALE @ A3	Heritage Box Sash Window Detail
PROJECT:	9 Mount Row, London, W1K 3RG	CLIENT: Brahma Mayfair 9 Ltd.
STATUS:	Planning	DRAWING NO: 2024-9MR-03,114
DRAWN:	JL	CHECKED: CK
		DATE: 27 February 2024 17:40