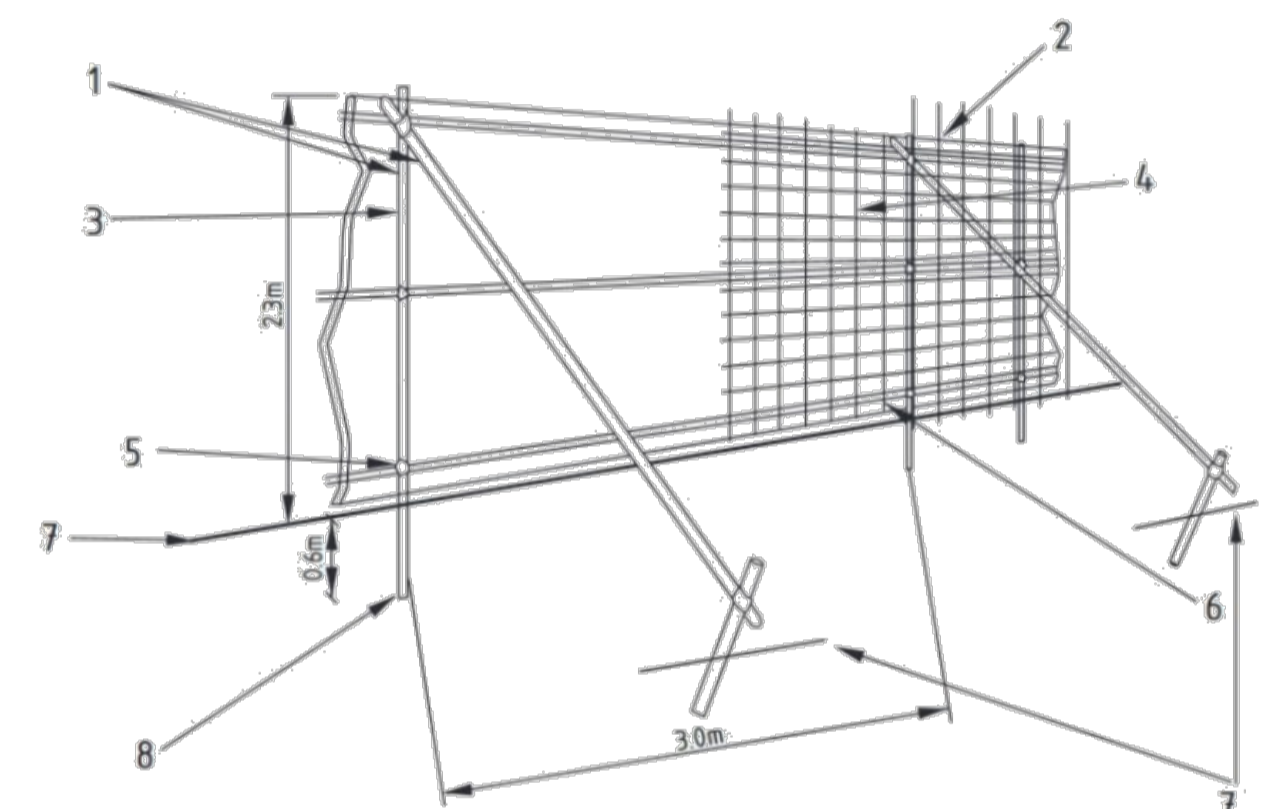
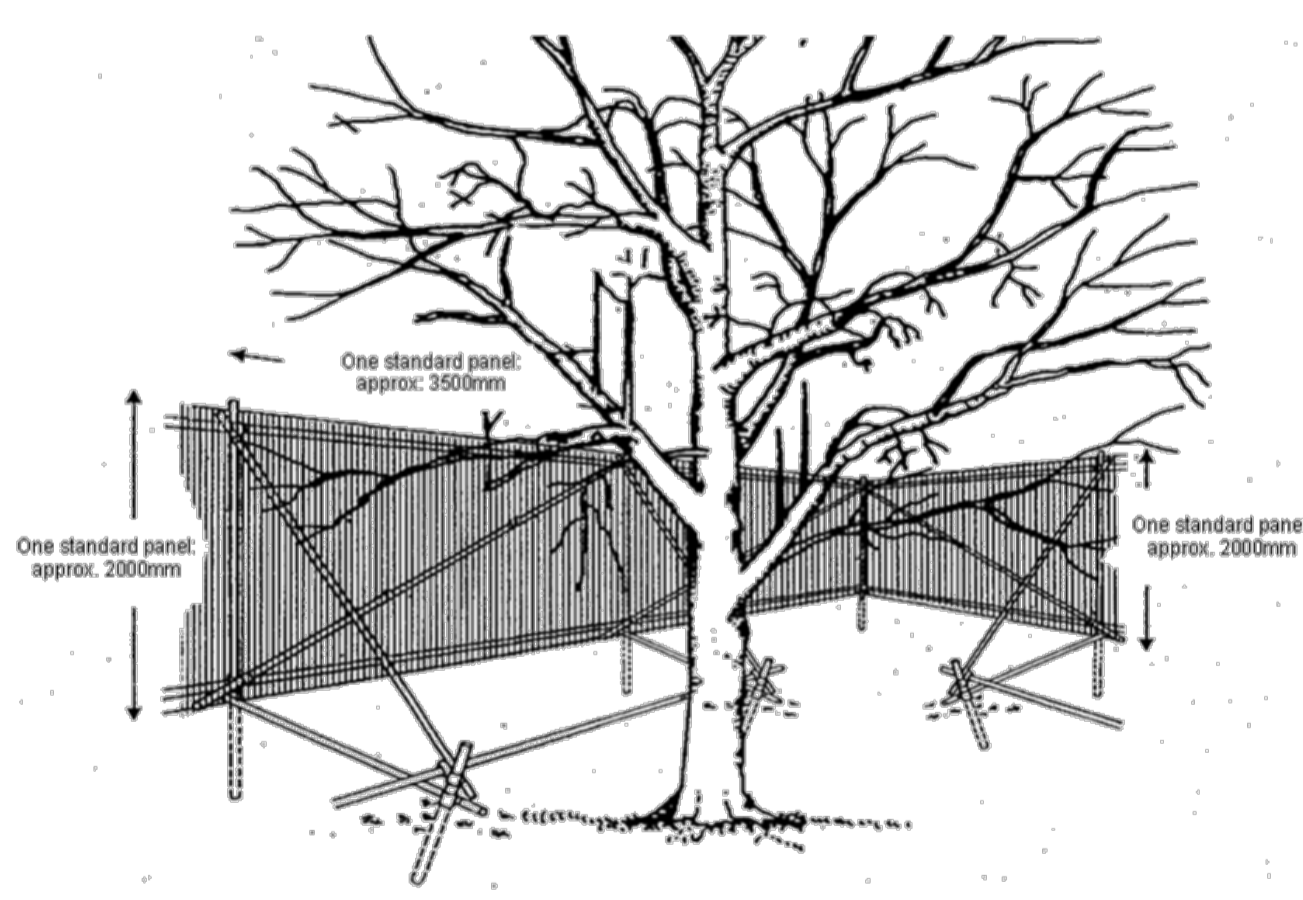


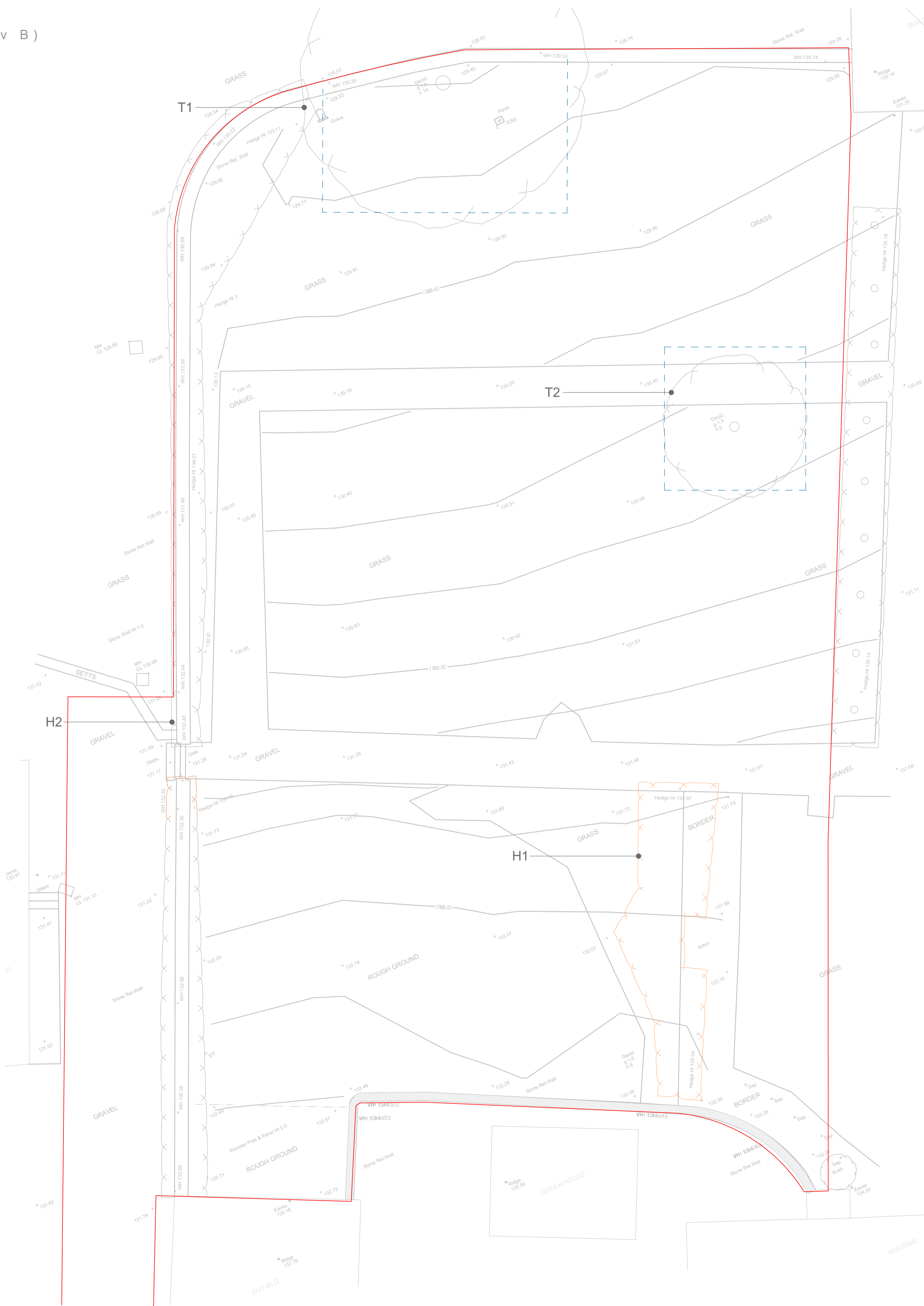
Notes
 This document and its design content is copyright ©. It shall be read in conjunction with all other associated project information including models, specifications, schedules and related consultants documents. Do not scale from documents. All dimensions to be checked on site. Immediately report any discrepancies, errors or omissions on this document to the Originator. If in doubt ASK.



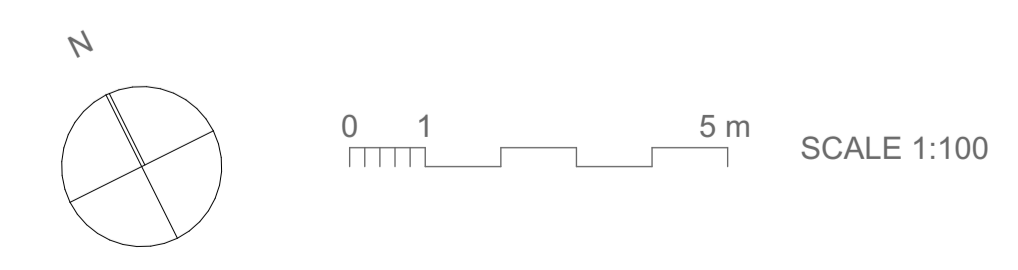
- 1 Standard scaffold poles
- 2 Uprights to be driven into the ground
- 3 Panels secured to uprights with wire ties and where necessary standard scaffold clamps
- 4 Weldmesh wired to the uprights and horizontals
- 5 Standard clamps
- 6 Wire twisted and secured on inside face of fencing to avoid easy dismantling
- 7 Ground level
- 8 Approx. 0.6 m driven into the ground



Design and Construction of Tree Protection Fencing
 Unless otherwise agreed construction of Tree Protection Fencing shall comprise weldmesh panels or close boarding supported on a framework of both vertical and horizontal steel scaffolding which is braced to resist impacts. A sample specification is given above. (Default specification for protective barrier BS5837:2012)



LEGEND
 - Tree protection fencing as specified to BS5837:2012
 - Section of hedge to be removed



Rev ID	Date	
A	19/01/2024	
B	26/02/2024	Site outline amended

Issued by:
 Shen Carter Studio Ltd.
 61 Marle Hill Parade, Cheltenham,
 Gloucestershire, GL50 4LH
 phone: 07968 404 387
 email: j.carter@shencarterstudio

Project:
Brook House

Status:
Planning

Client:
 Will Hine

Project Address:
 Brook House
 Cheltenham
 Glos.
 GL54 3DR

Layout Title
Tree Protection Plan (Rev B)

shen carter studio

Scales @ A1	Drawing Number (project-status-layout ID)	Revision
1:100	231-PL-06	Rev B