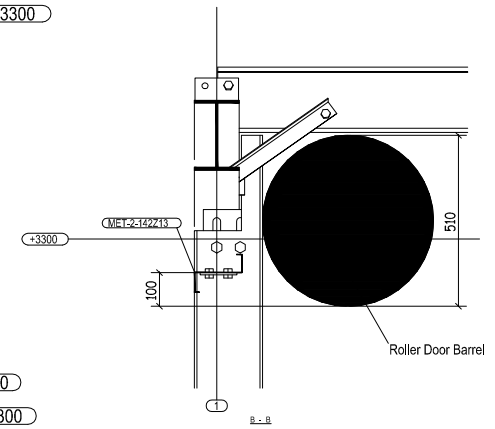
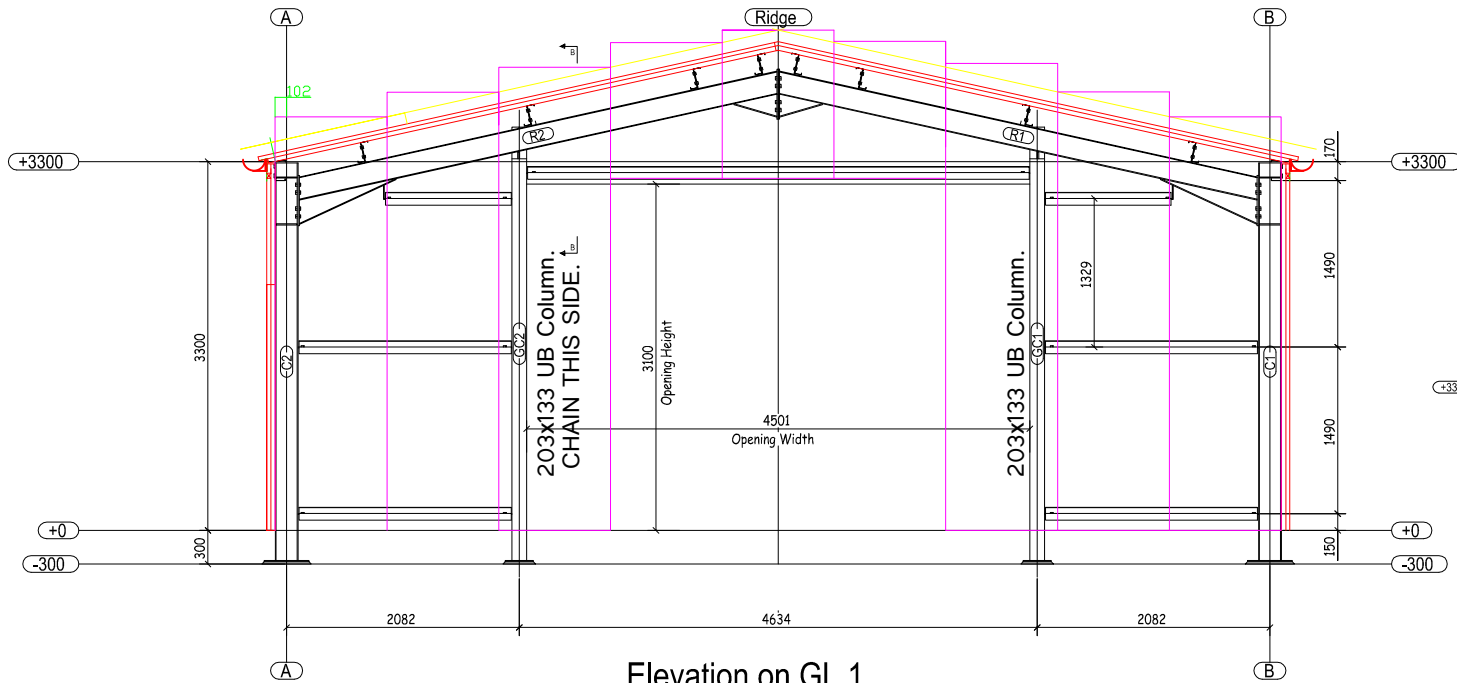


DO NOT SCALE



203x133UB
Column..



203x133UB
Column..

Elevation on GL 1

**** SUPPLY & FIT:- 1No 4500mm WIDE X 3100mm MANUALLY OPERATED INSULATED ROLLER SHUTTER DOOR WITH Plastic Coated (Mushroom Finish BS10B19) To Curtain GALVANISED SIDE GUIDES, FIXING ANGLE AND BOTTOM BAR .DOORS COMPLETE WITH TOP BRUSH SEAL, BOTTOM WEATHER SEAL AND SIDE GUIDE BRUSHES. INSULATED WITH A U VALUE OF 0.68 W/m2K.**

REV. NO.	REVISION DESCRIPTION	DATE
Shuffbottoms Ltd Cross Hands Business Park Cross Hands Llanelli, Carmarthenshire SA14 6RE - Tel: 01269 831831		
DRAWING TITLE		Shuff's Logo.PNG
CONTRACT	BARGE WALK	
DESIGNED BY	PS	ISSUE DATE
CONTRACT NO	ETW11	SCALE
DRAWING NO	SL-1020-01	REVISION NO.