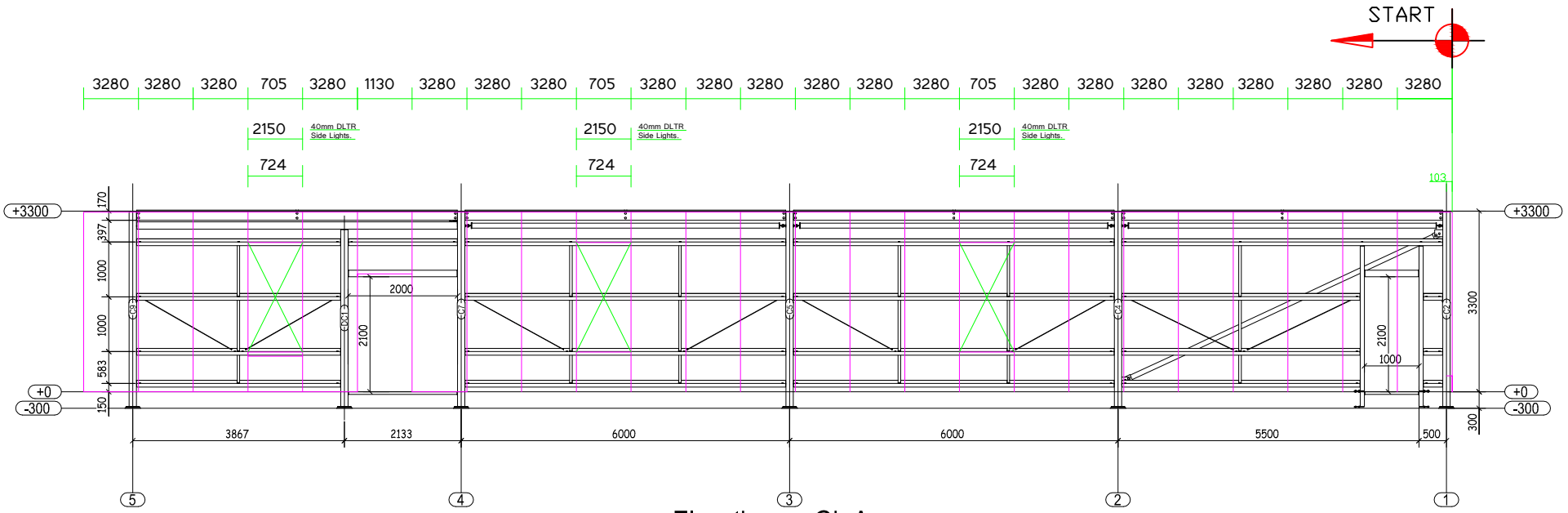


DO NOT SCALE

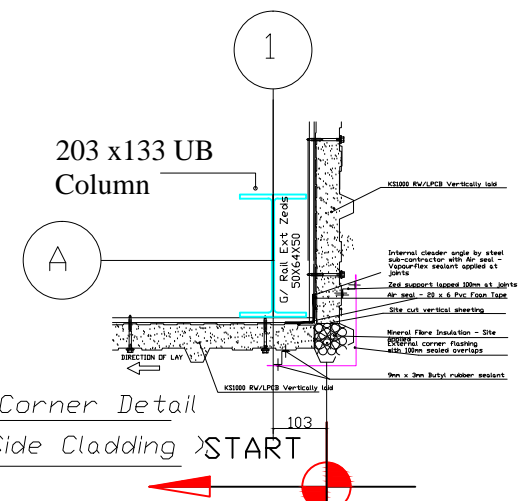


Elevation on GL A

NOTE:-
SIDE CLADDING : ~ Mushroom BS10B19

Note:- All Side Laps On KS1000RW Panels To Be Stitched At 300mm Centres With Mushroom BS10B19 Fasteners.

NOTE:-
SIDE CLADDING : 40mm LPC GRADE A COMPOSITE PANELS.
ALL SIDE AND END LAPS FACTORY APPLIED SEALS.
PANELS BEDDED ON 20X6 PVC FOAM TAPE.



KS1000 RW - Corner Detail
< Start Of Side Cladding > START

REV. NO.	REVISION/DESCRIPTION	DATE
Shuffbottoms Ltd Cross Hands Business Park Cross Hands Llanelli, Carmarthenshire SA14 6RE - Tel: 01269 831831		
Shuff'sLogo.PNG		
DRAWING TITLE	Elevation on GL A&B	
CONTRACT	BARGE WALK	
DESIGNED BY	RS	ISSUE DATE
CONTROLLED BY	RS	SCALE
DRAWING NO	ETW/11	1:20
DRAWING No.	CL - GL A	REVISION No.