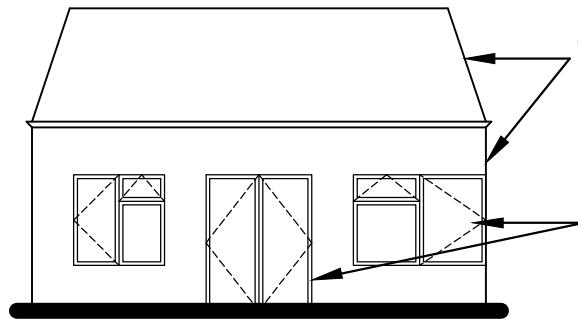
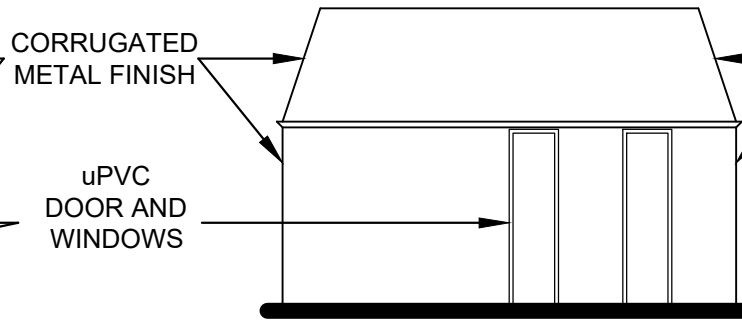


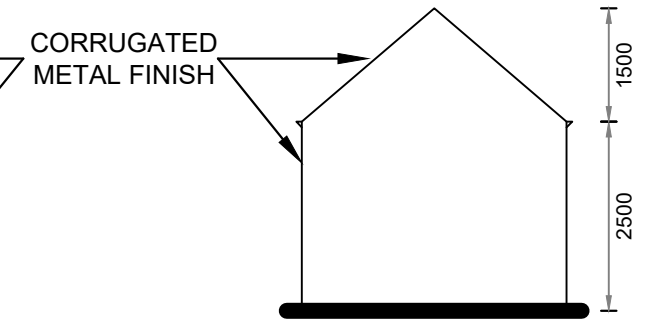
1 PROPOSED GROUND FLOOR PLAN
1:50



2 FRONT ELEVATION
1:100



3 REAR ELEVATION
1:100



4 SIDE ELEVATIONS
1:100

REVISIONS:

PLANNING	PRELIMINARY	TENDER	CONSTRUCTION

KNIGHTHAYES, WOODHOUSE LANE,
UPLYME, LYME REGIS,
DEVON, DT7 3SX

PLANNING SUBMISSION
PROPOSED PLAN & ELEVATIONS
PARTRIDGE

1:50 & 1:100@A4
FEB 24' SF

drawing no. rev.
002/005 P1