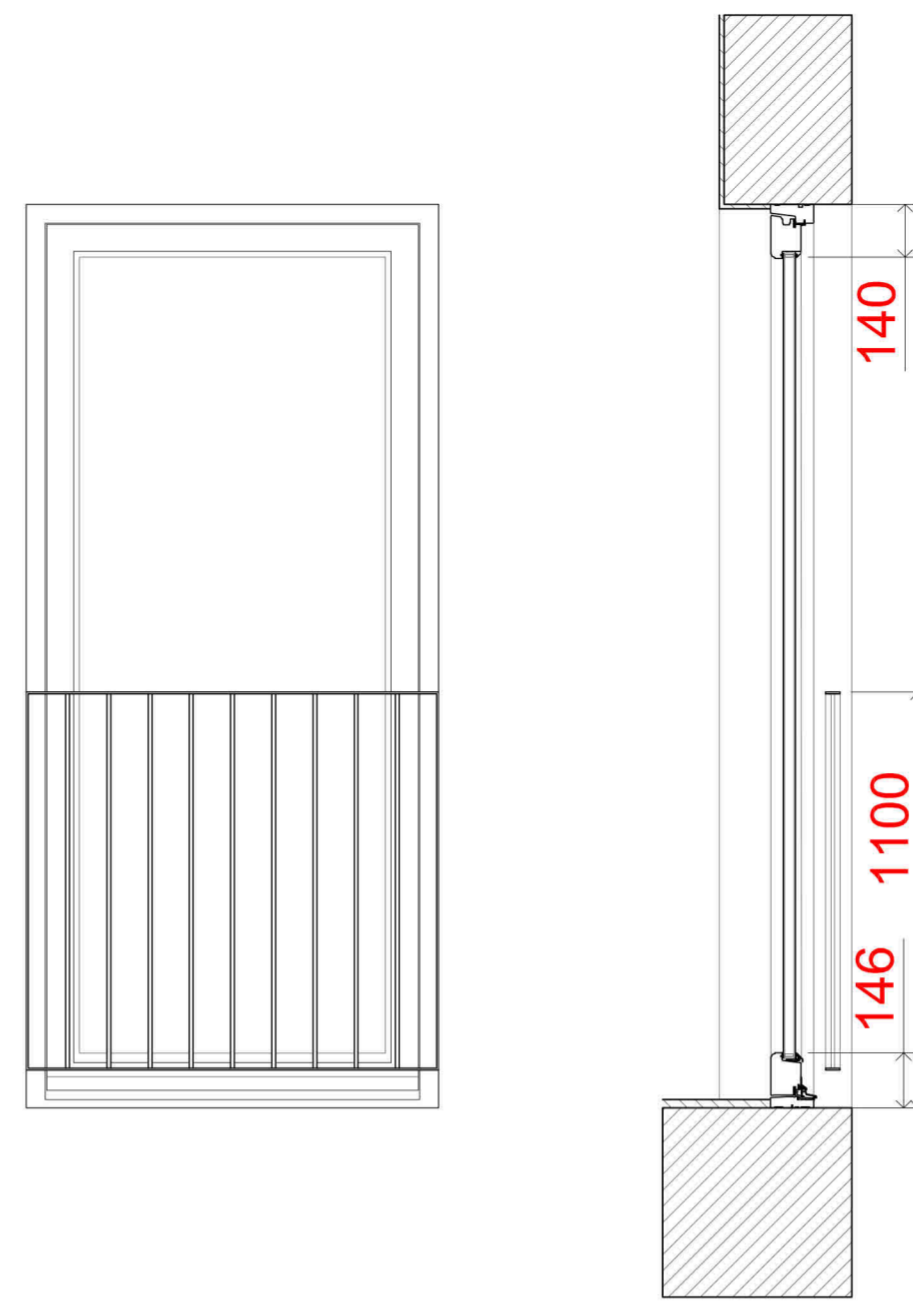
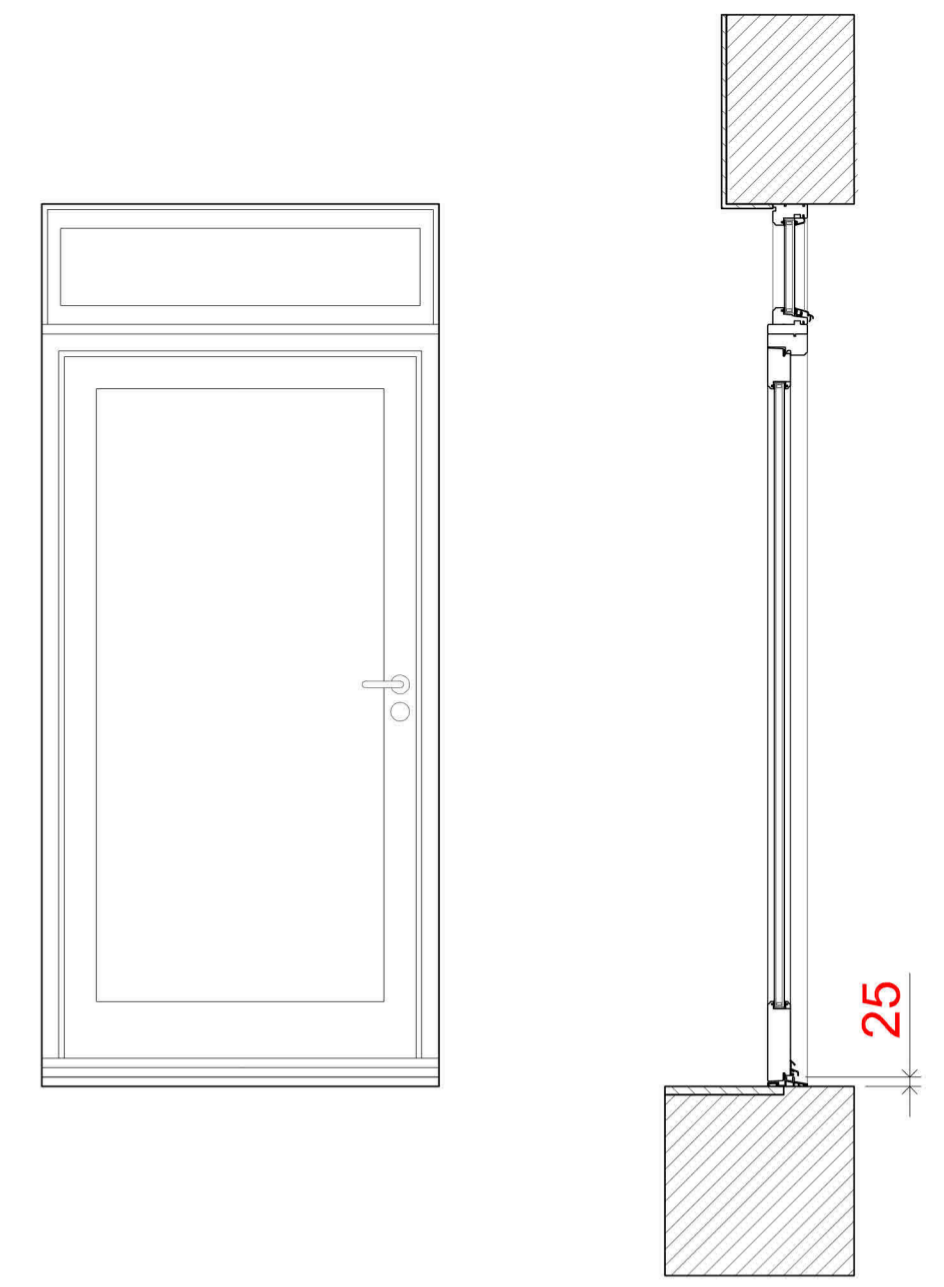


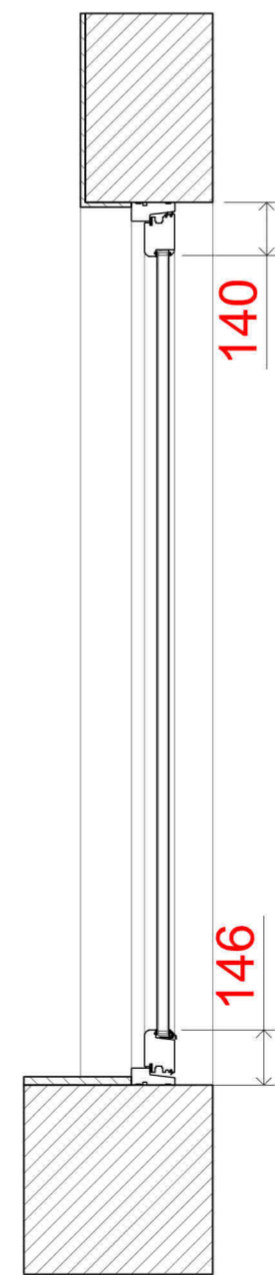
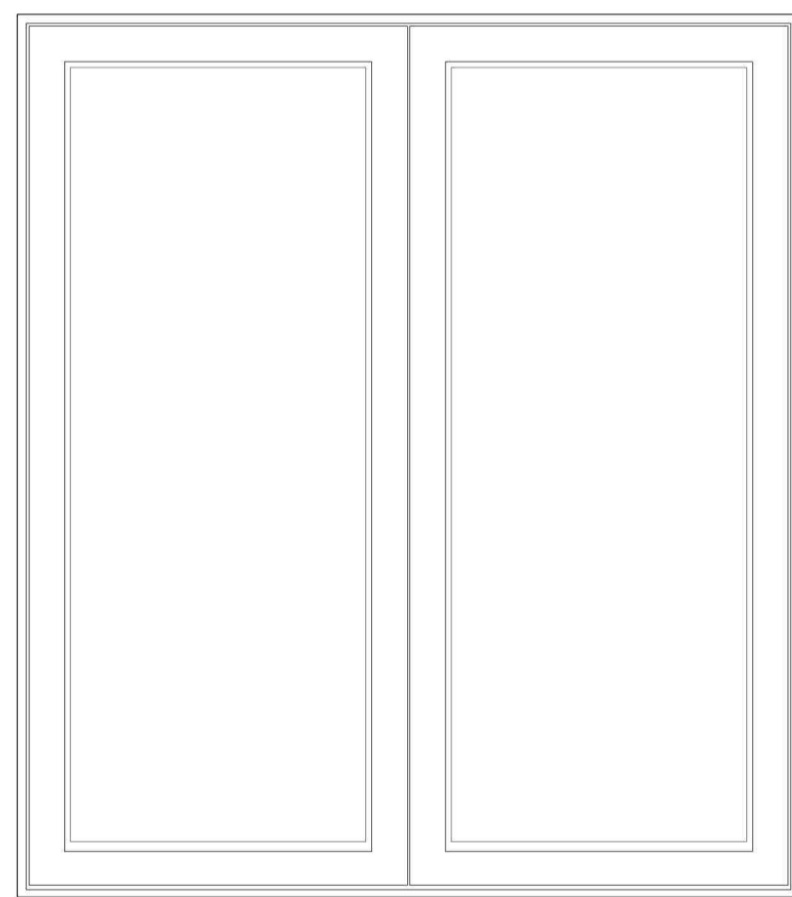
new sash & casement window to second floor rear bedroom



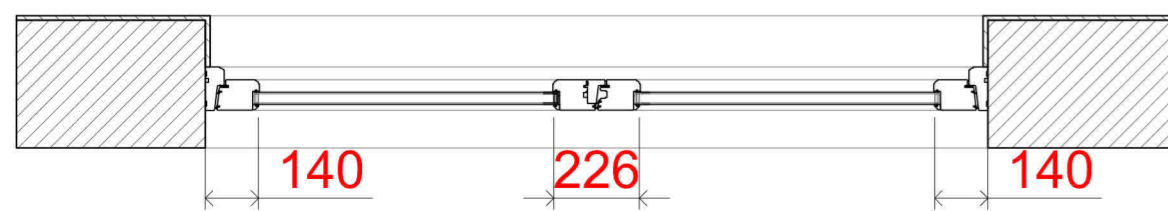
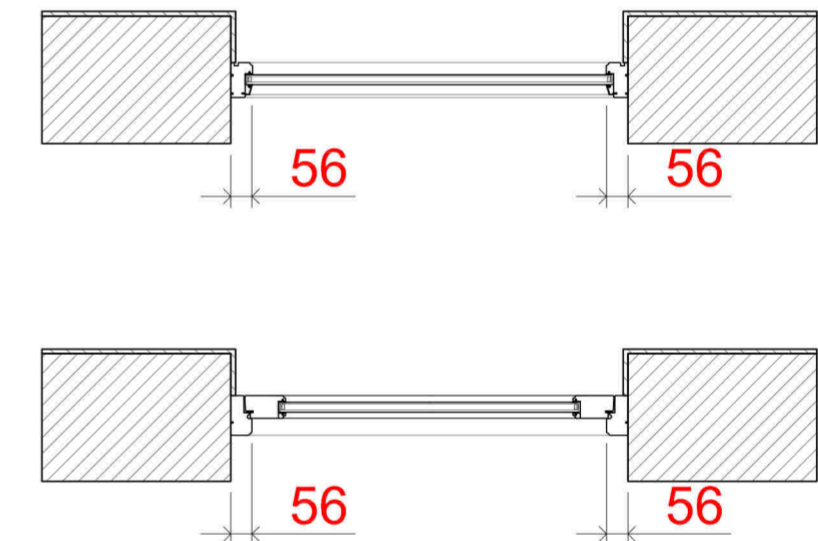
new Juliette balconys to rear property living room



new rear entrance door & fanlight



new french window to rear property bedroom



revision a: 28.02.24 detail updates for 2024 planning application

1 : 20 @ a2

external door & windows details
planning
02.03.2022
revision a
drawing 21

proposed conversion at
11 Victoria Street, Aberdeen
Mr N.Scullion

graham mitchell architects

Troupsmill Farm
Drumblade
Huntly,
AB54 6EU
t: 07711 503 165
e: office@gma-aberdeen.co.uk
w: gma-aberdeen.co.uk

© this drawing is subject to copyright and remains the property of graham mitchell architect ltd. contractor to check dimensions. If any problems arise contact architects prior to construction / fabrication.