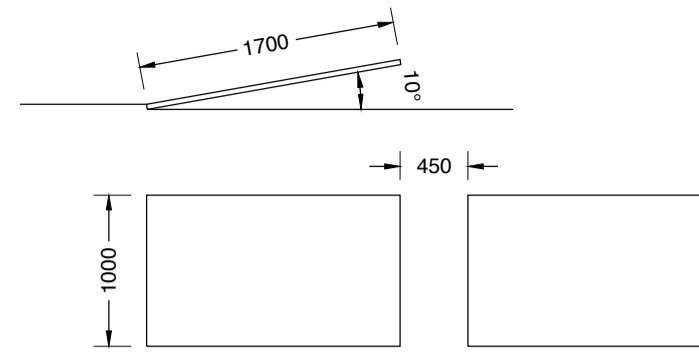
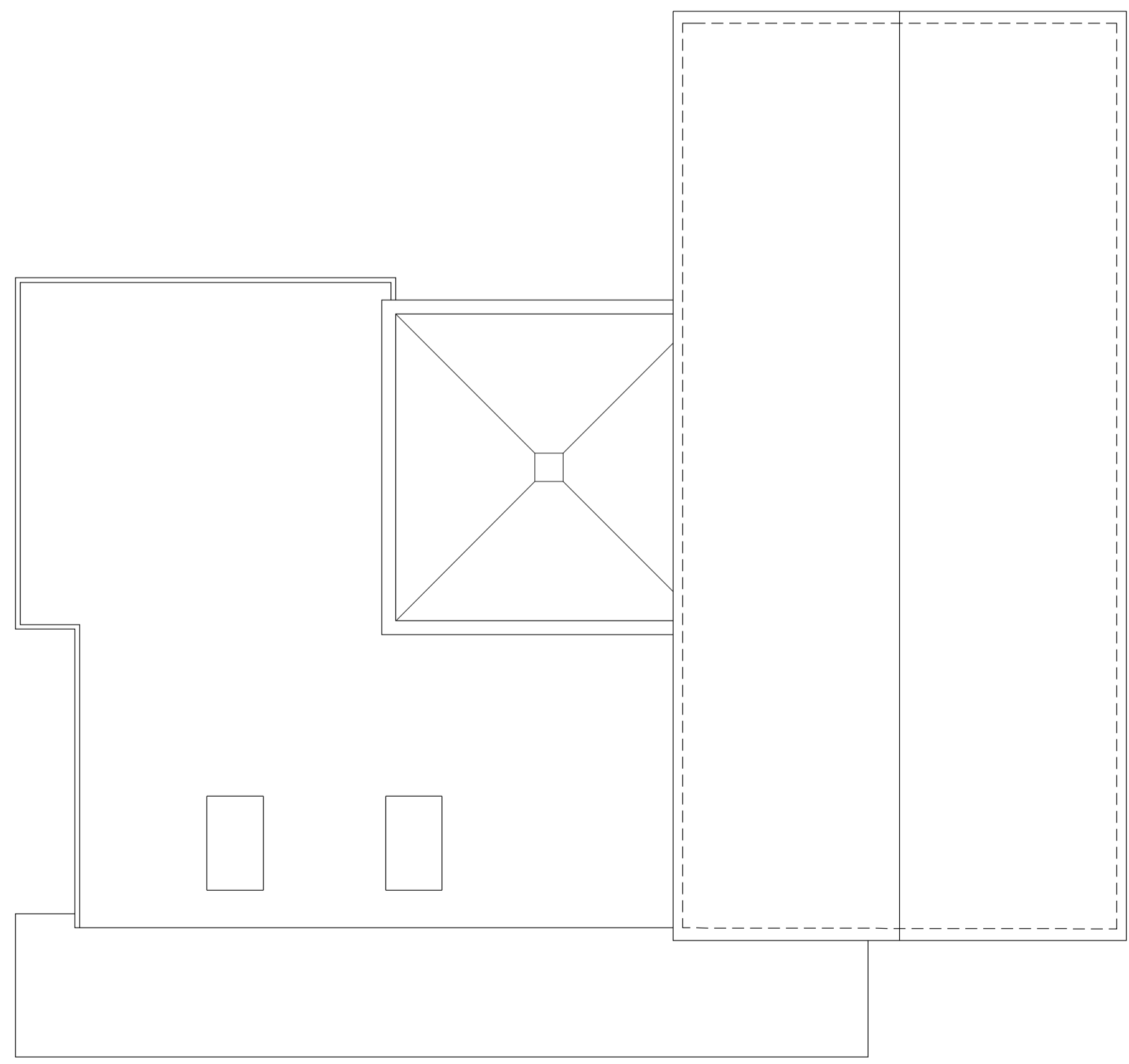


02 Proposed roof plan
Scale 1:100



03 Photovoltaic panels
Scale 1:50

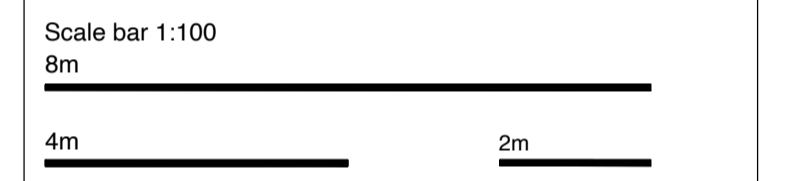


01 Existing roof plan
Scale 1:100

- GENERAL NOTES**
1. Do not scale drawings. Work to figured dimensions only.
 2. All dimensions are in millimeters unless otherwise stated.
 3. All dimensions shall be verified on site before proceeding with works.
 4. The designer must be notified in writing of any discrepancies.
 5. Any areas indicated on this sheet are approximate and indicative only.
 6. This information includes mapping data licensed from Ordnance Survey and is strictly for use in preparation of information for this project. The Ordnance Survey copyright acknowledgement must be displayed on any document containing this data. At the end of its use any Ordnance Survey data supplied by the designer must be deleted and all paper copies destroyed.

DRAWING NOTES

1) All site levels approximate only.



Rev	Date	Reason For Issue	CHK'd
00	22.02.24	Planning submission	mh

AYRES HAYNES ARCHITECTS
 Mount Batten Watersports Centre | Lawrence Rd | Plymouth | PL9 9SJ
 t 01752 408051 g admin@ayreshaynes.com w www.ayreshaynes.com

Client
Plymouth City Council

Project Title
**Honicknowle Youth Centre,
 Honicknowle Green, Honicknowle,
 Plymouth, PL5 3PX**

Drawing Title
Proposed roof plan

Drawing Status
Planning submission

Scale @ A1	Date	Drawn by
1:100 & 1:50	12.12.23	mh

Drawing reference	Project Number	RIBA Stage	Drawing number	Revision
2325 3 L02 03 00	2325	3	L02 03	00