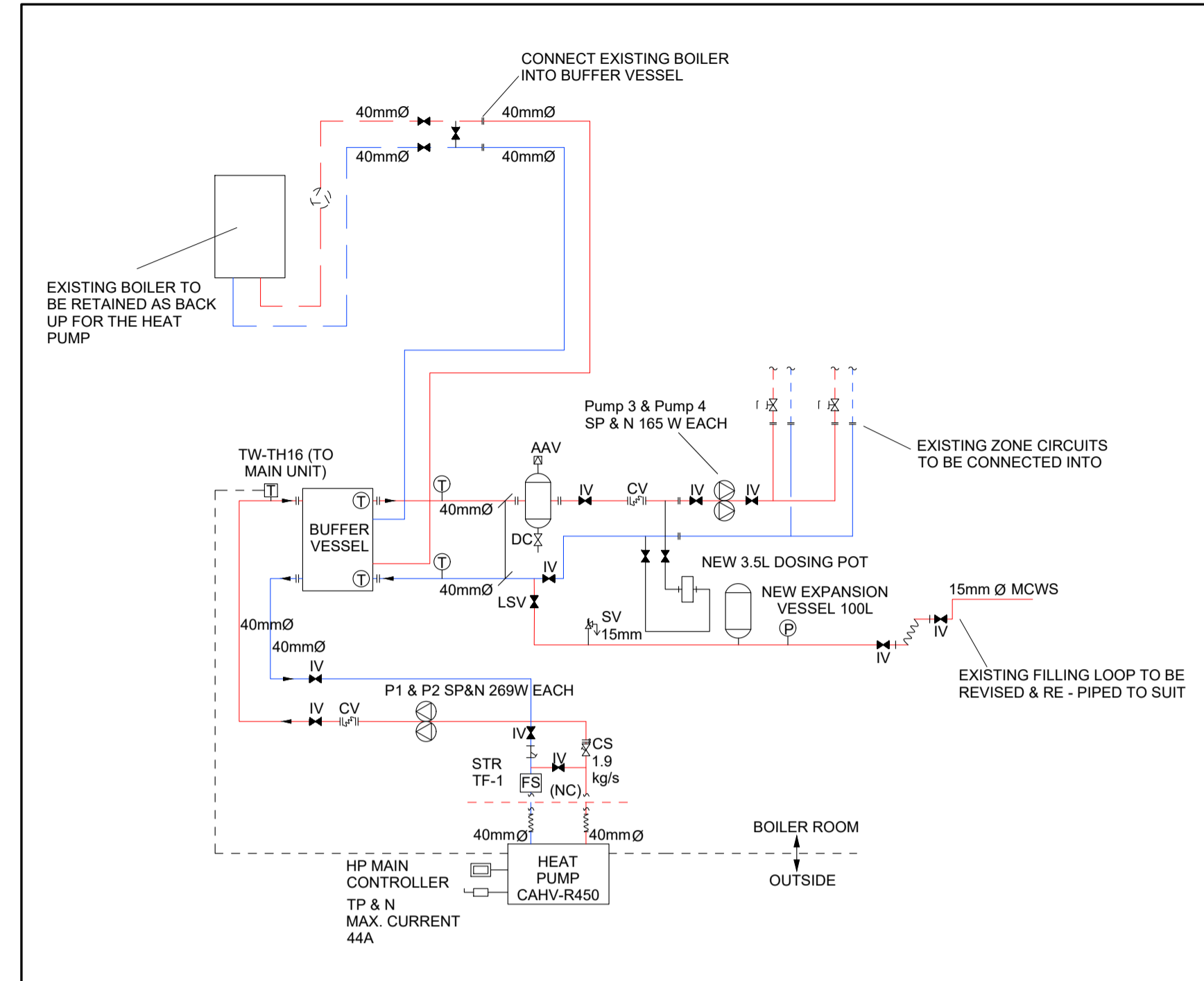
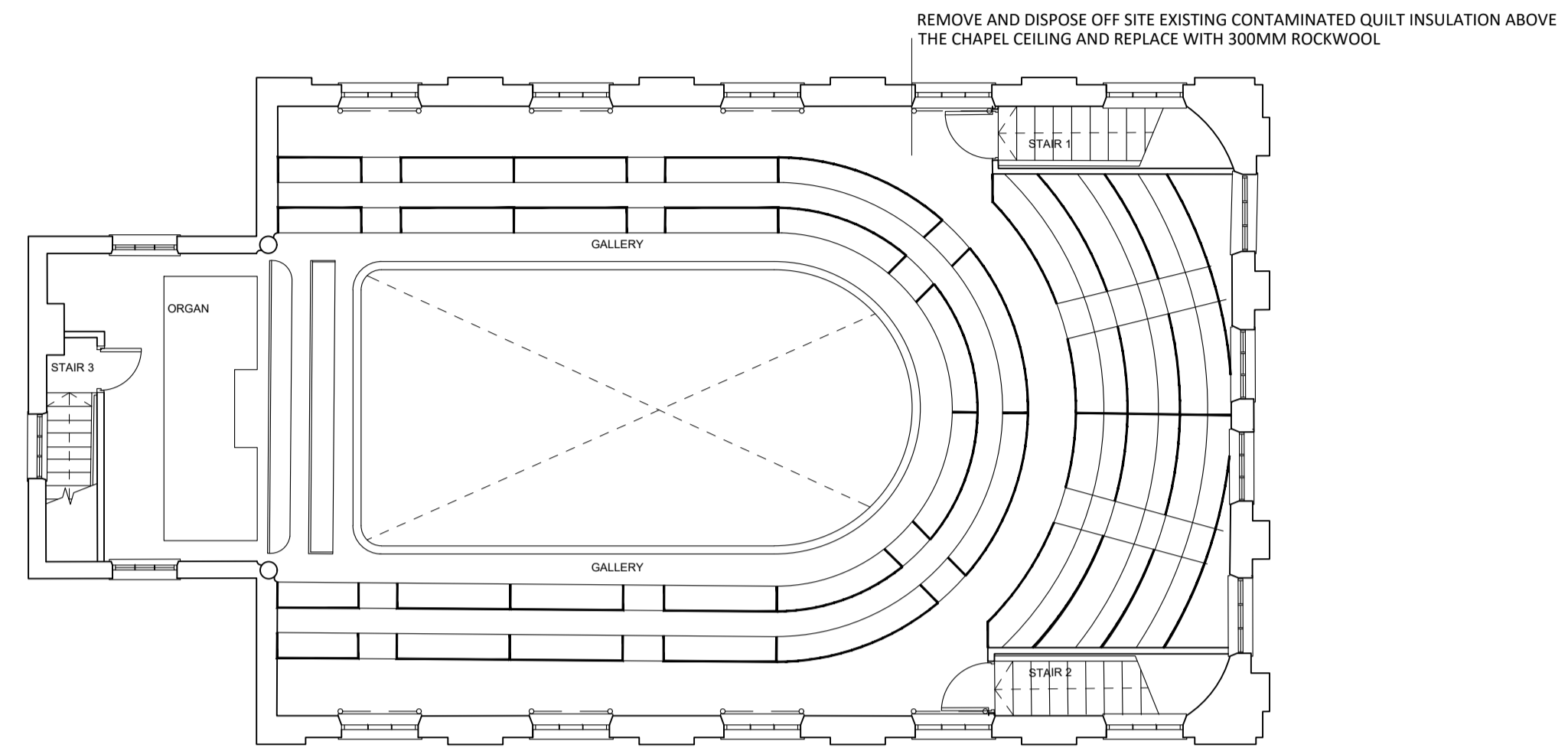


- DRAWING NOT TO BE SCALED
- REPORT ERRORS & OMISSIONS TO D3-ASSOCIATES
- CHECK ALL DIMENSIONS ON SITE
- TO BE READ IN CONJUNCTION WITH HEALTH AND SAFETY PLAN AND ALL RELEVANT RISK ASSESSMENTS

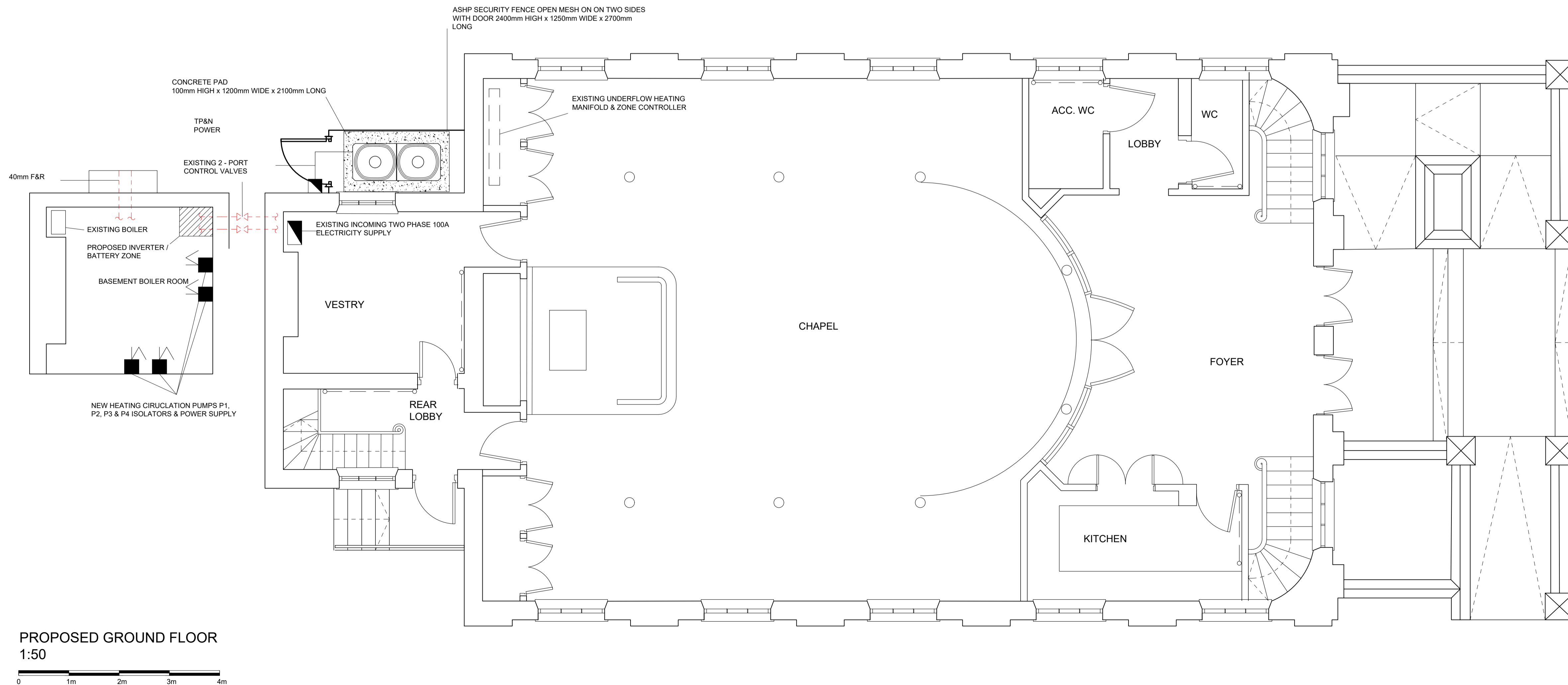


PROPOSED HEATING SCHEMATIC
 NTS



PROPOSED FIRST FLOOR
 1:100

- LEGEND**
- ◀ ISOLATION VALVE
 - ⊙ TEMPERATURE GAUGE
 - ⊕ PRESSURE GAUGE
 - CV CHECK VALVE
 - AAV AUTOMATIC AIR VENT
 - CS DOUBLE REGULATING VALVE & ORIFICE PLATE COMMISSIONING SET
 - SV SAFETY VALVE
 - STRAINER BY FERNOX TYPE TF-1 FILTER
 - ⊖ DRAIN COCK
 - AAV AIR & DIRT SEPARATOR
 - DC SP & N ISOLATOR
 - TP & N ISOLATOR
 - EXISTING RADIATOR



PROPOSED GROUND FLOOR
 1:50

P02	DRAWING NUMBER UPDATED, ISSUED FOR PLANNING	SB	GR	21/02/24
P01	FIRST ISSUE FOR INFORMATION	SK	BM	22/12/23
REV	DESCRIPTION	ISSUED	CHECKED	DATE

PURPOSE OF ISSUE
PLANNING

PROJECT INFORMATION
**NE & Y NET ZERO HUB
 MARKET WEIGHTON METHODIST CHURCH**

DRAWING INFORMATION

PROPOSED PLANS & MECHANICAL LAYOUT

DRAWING NO.	1838-MWE-D3A-00-XX-DR-A-	3000
PROJECT NO.	1838	SK
DRAWN	VARIES	S2
SCALE @ A1		
STATUS		
REVISION		P02