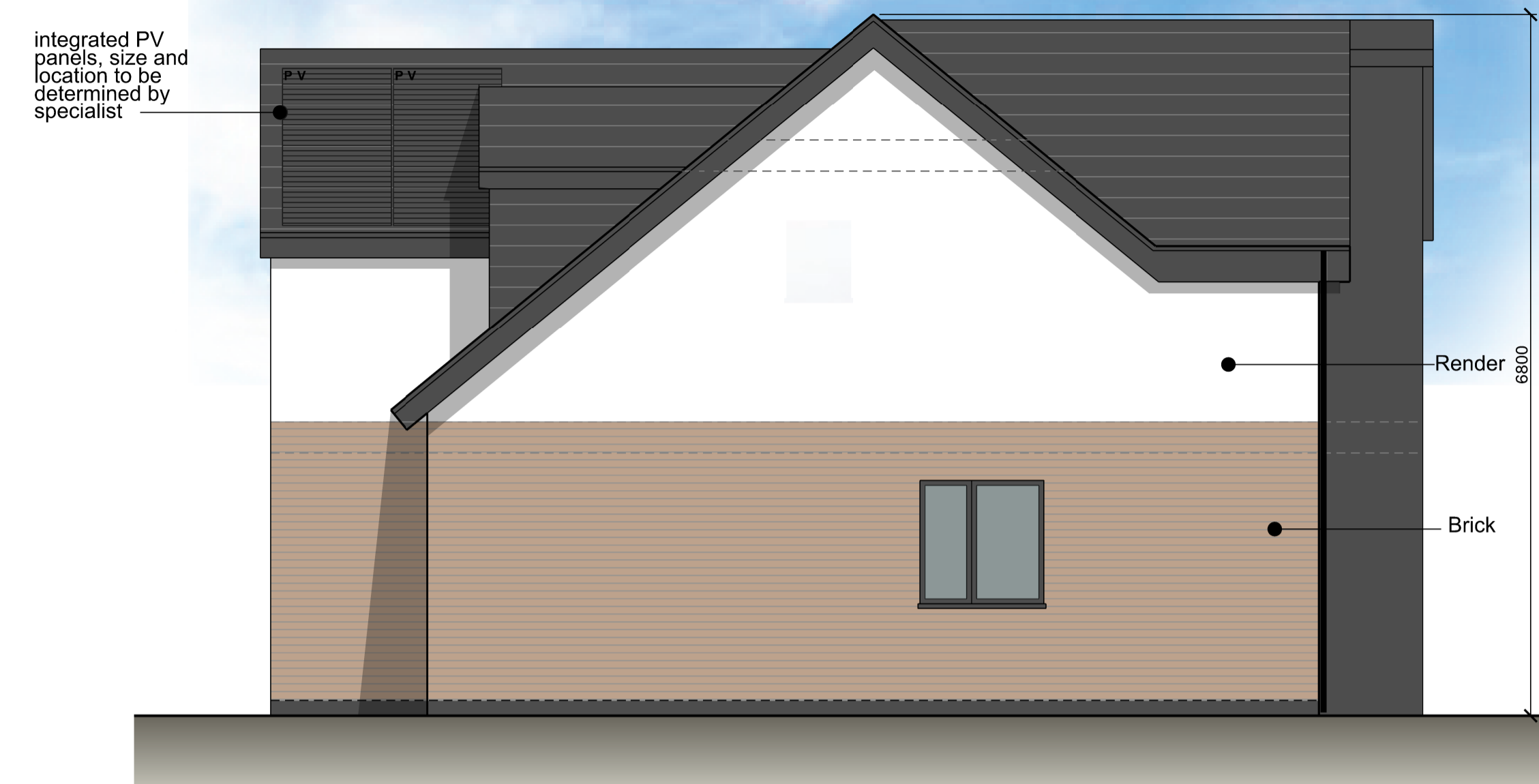




Proposed Rear (South) Elevation



Proposed Side (East) Elevation

Materials

Walls

Cladding: Hardyplank weatherboarding anthracite
 Render: PRB blanc de cote
 Brick: Vandersanden Cottage mixture

Roof

Tile: Jutland graphite composite slate
 Gutter & downpipes: black upvc
 Facia & soffit: smooth UPVC anthracite

Windows/ Doors

UPVC anthracite
 Bifolds: colour coated aluminium, anthracite



Proposed Side (West) Elevation



Proposed Front (North) Elevation


Forde Architecture

Denise Gooding
 denise@fordearchitecture.co.uk

The above drawings, specifications, concepts and designs are and shall remain the property of Forde Architecture and no part thereof shall be copied, disclosed to others, or used in connection with any work other than the specific project for which they have been developed without the written consent of Denise Gooding, Architectural Designer. Visual contact with these drawings or specifications shall constitute conclusive evidence of acceptance of these restrictions.

Client: Fletcher

Project: Manor Farm | Whitminster

Orientation: 
 Scale 1:50 @ A1 | 1:100 @ A3
 0 0.5m 2.5m

Drawing Title: Proposed Elevations
 Date: Feb 2024

Sheet: M. Farm | P - 04 d