

**Cutting List Diagrams**

Client **SSS - SAM**  
 Job **Jane HINDLE**

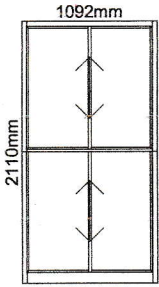
1  
 2  
 3  
 4  
 5  
 6  
 7  
 8

	<p><b>Sliding Sash</b>                  Window type: 13.5mm SOLID OVOLO MOULD DG 41mm Thick                  ## VIS GLASS SIZES SHOWN ON DRAWING ##                  Timber Type: FSC Accoya                  4/8/4 Clear Soft Coat/Argon / White Thermobar / Single Interbar                  Ironmongery type: No Ironmongery allowed but can supply the weight of the required lead per sash</p>	<p><b>LOFT</b>                  x1  <b>BEDROOM (west)</b></p>
	<p><b>Sliding Sash</b>                  Window type: 13.5mm SOLID OVOLO MOULD DG 41mm Thick                  ## VIS GLASS SIZES SHOWN ON DRAWING ##                  Timber Type: FSC Accoya                  4/8/4 Satin Soft Coat/Argon / White Thermobar / Single Interbar                  Ironmongery type: No Ironmongery allowed but can supply the weight of the required lead per sash</p>	<p><b>SPARE</b>                  x1  <b>TOILET (west)</b></p>
	<p><b>Sliding Sash</b>                  Window type: 13.5mm SOLID OVOLO MOULD DG 45mm Thick                  ## VIS GLASS SIZES SHOWN ON DRAWING ##                  Timber Type: FSC Accoya                  4/8/4 Clear Soft Coat/Argon / White Thermobar / Single Interbar                  Ironmongery type: No Ironmongery allowed but can supply the weight of the required lead per sash</p>	<p><b>DINING FRT A</b>                  x1  <b>HALLWAY East.</b></p>
	<p><b>Sliding Sash</b>                  Window type: 13.5mm SOLID OVOLO MOULD DG 45mm Thick                  ## VIS GLASS SIZES SHOWN ON DRAWING ##                  Timber Type: FSC Accoya                  4/8/4 Clear Soft Coat/Argon / White Thermobar / Single Interbar                  Ironmongery type: No Ironmongery allowed but can supply the weight of the required lead per sash</p>	<p><b>DINING FRT B</b>                  x3  <b>BATH ROOM</b>  <b>Front Room x2</b>  <b>South</b></p>
	<p><b>Sliding Sash</b>                  Window type: 13.5mm SOLID OVOLO MOULD DG 45mm Thick                  ## VIS GLASS SIZES SHOWN ON DRAWING ##                  Timber Type: FSC Accoya                  4/8/4 Clear Soft Coat/Argon / White Thermobar / Single Interbar                  Ironmongery type: No Ironmongery allowed but can supply the weight of the required lead per sash</p>	<p><b>DINING FRT C</b>                  x2  <b>DINING ROOM</b>                  x2</p>
<p><b>east and west facing</b></p>		

JMS 2, 4, 3, 5 (59629)

Client **SSS - SAM**  
Job **Jane HINDLE**

9



**Sliding Sash**

Window type: 13.5mm SOLID OVOLO MOULD DG 45mm Thick  
## VIS GLASS SIZES SHOWN ON DRAWING ##  
Timber Type: FSC Accoya  
4/8/4 Satin Soft Coat/Argon / White Thermobar / Single Interbar  
Ironmongery type: No Ironmongery allowed but can supply the weight of the required lead per sash

**DINING  
FRT D**

**x1**  
**KITCHEN**  
**east facing**

No. 1

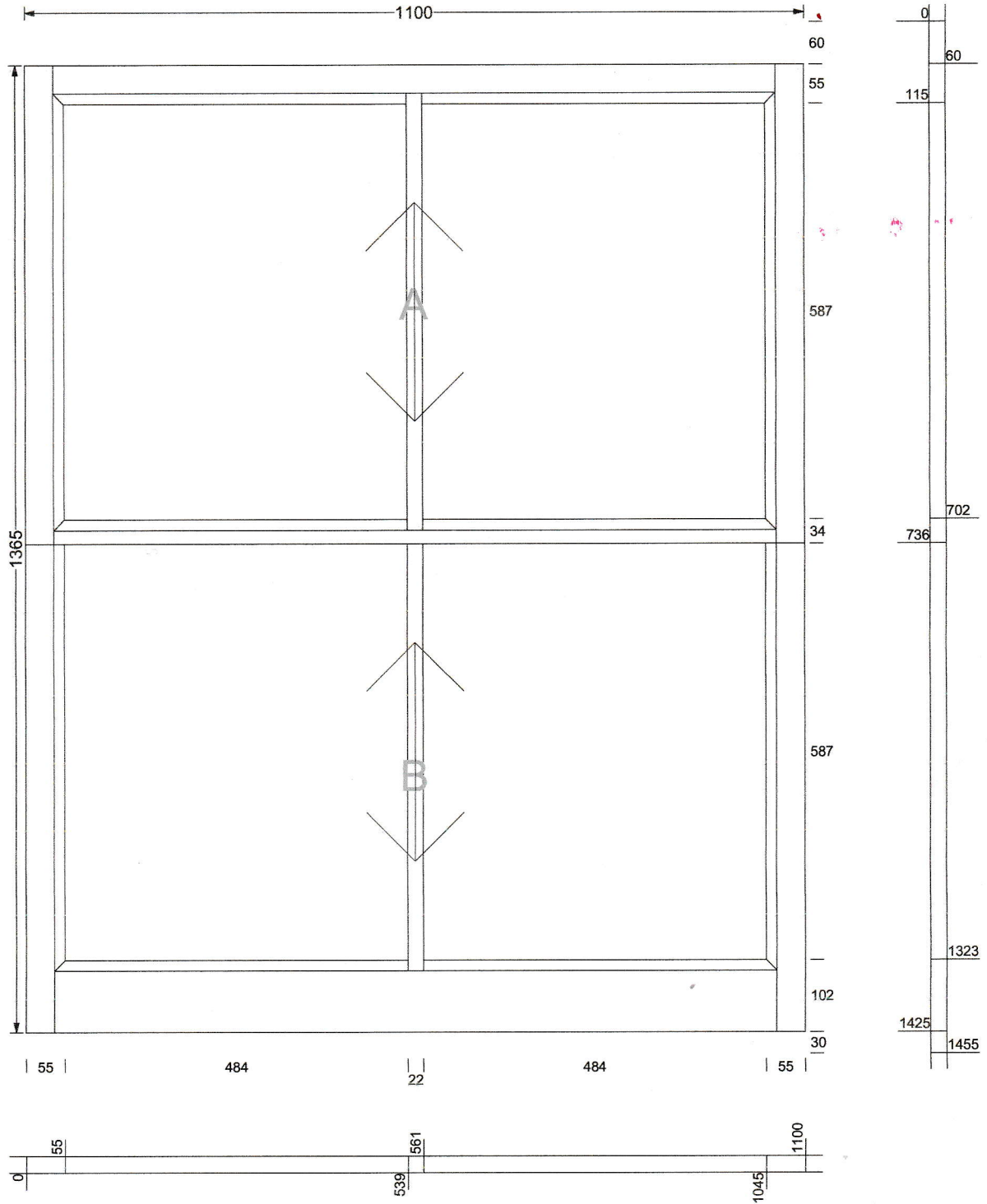
KWD Ltd (Trade)

Large Drawings with Setting Out

Client SSS - SAM  
Job Jane HINDLE

BEDROOM 3 - TOP FLOOR  
West.

1 X Sliding Sash - LOFT



Job number  
Jane HINDLE

15:25 27-02-24

3 of 24

- 1 -

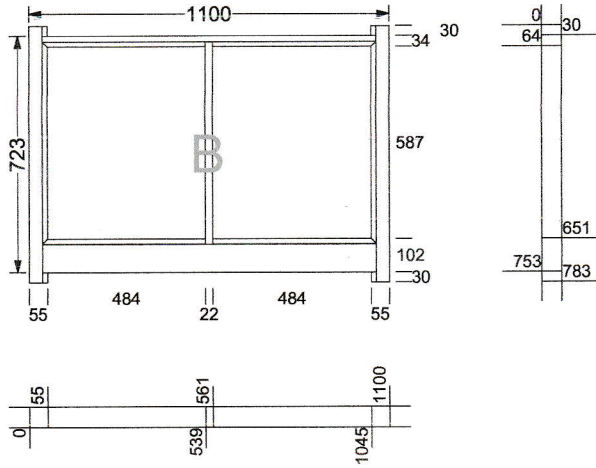
Large Drawings with Setting Out

Bedroom

West

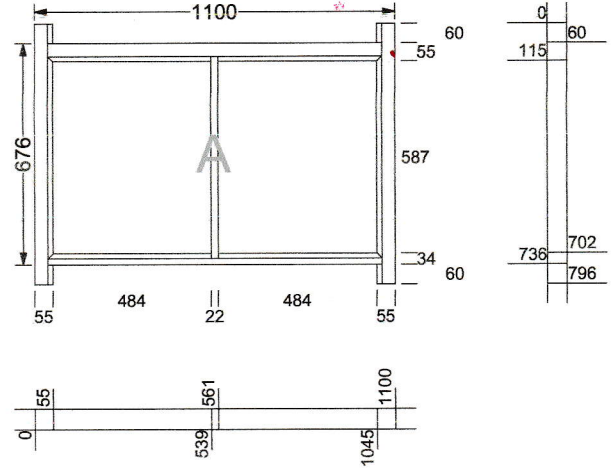
LOFT

Bottom sliding sash



LOFT

Top sliding sash



Job number

Jane HINDLE

15:25 27-02-24

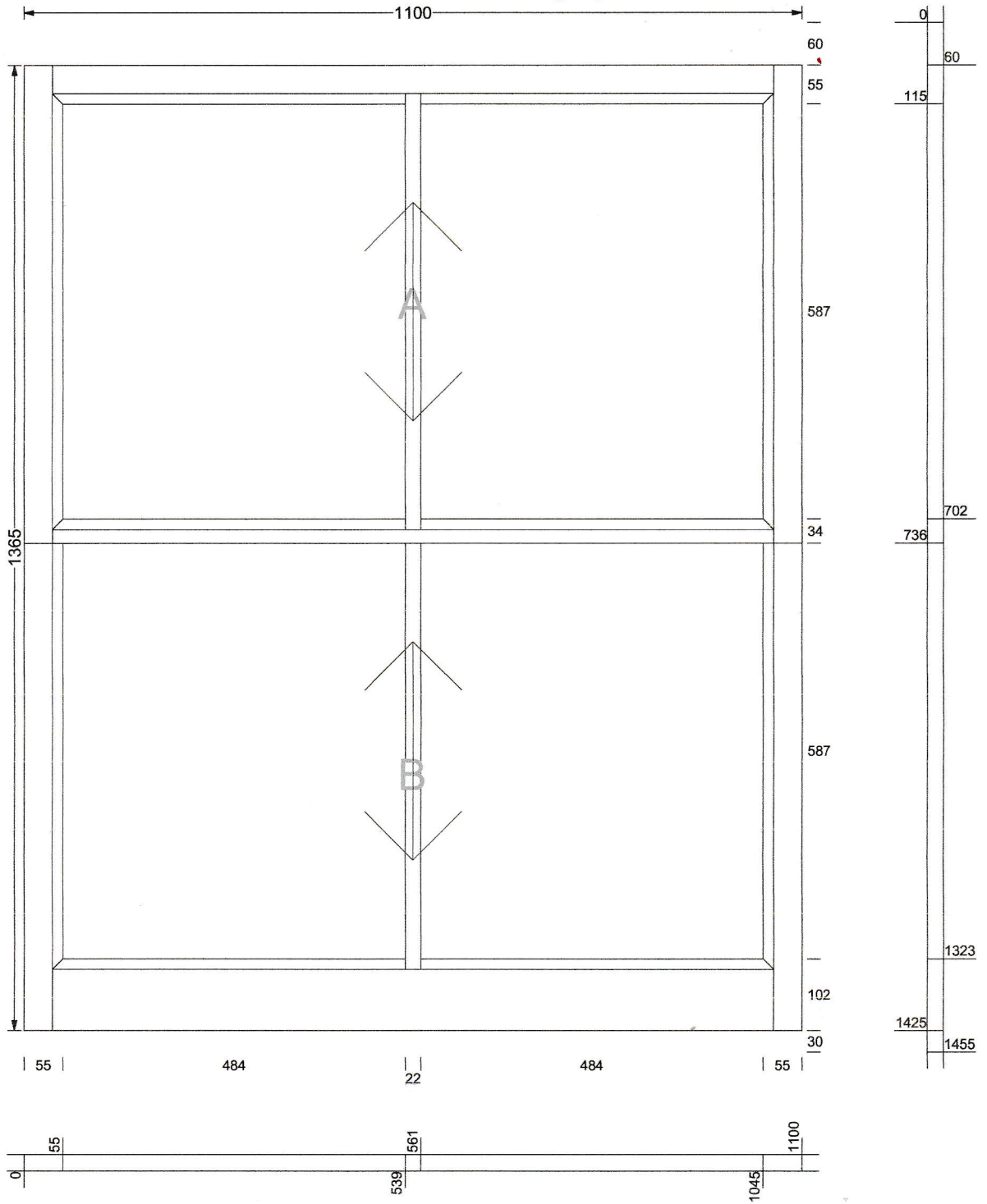
4 of 24



- 2 -

1 X Sliding Sash - SPARE

TOILET - WHT



Job number

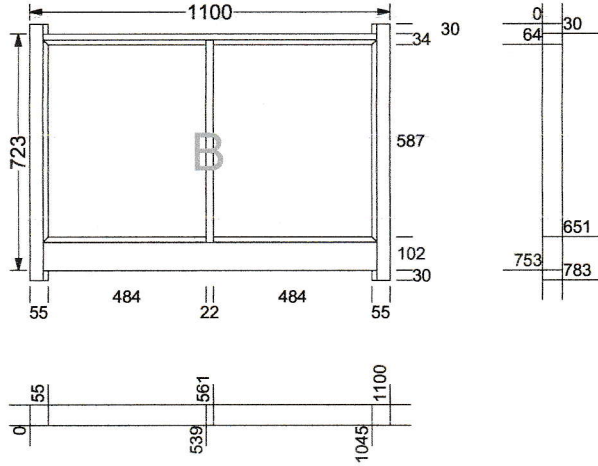
Jane HINDLE

15:25 27-02-24

5 of 24

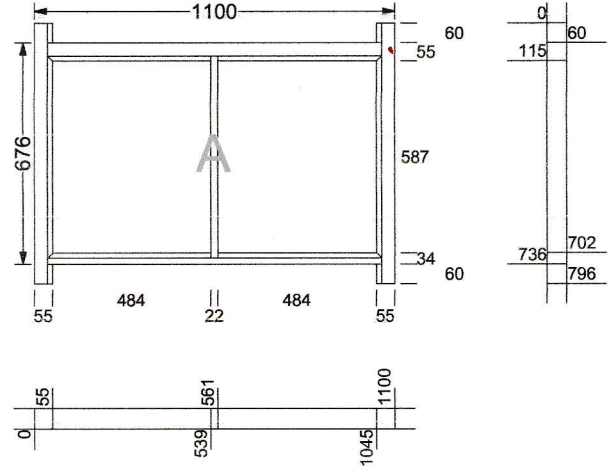
TOILET

SPARE  
Bottom sliding sash



SPARE  
Top sliding sash

we sk



Job number

Jane HINDLE

15:25 27-02-24

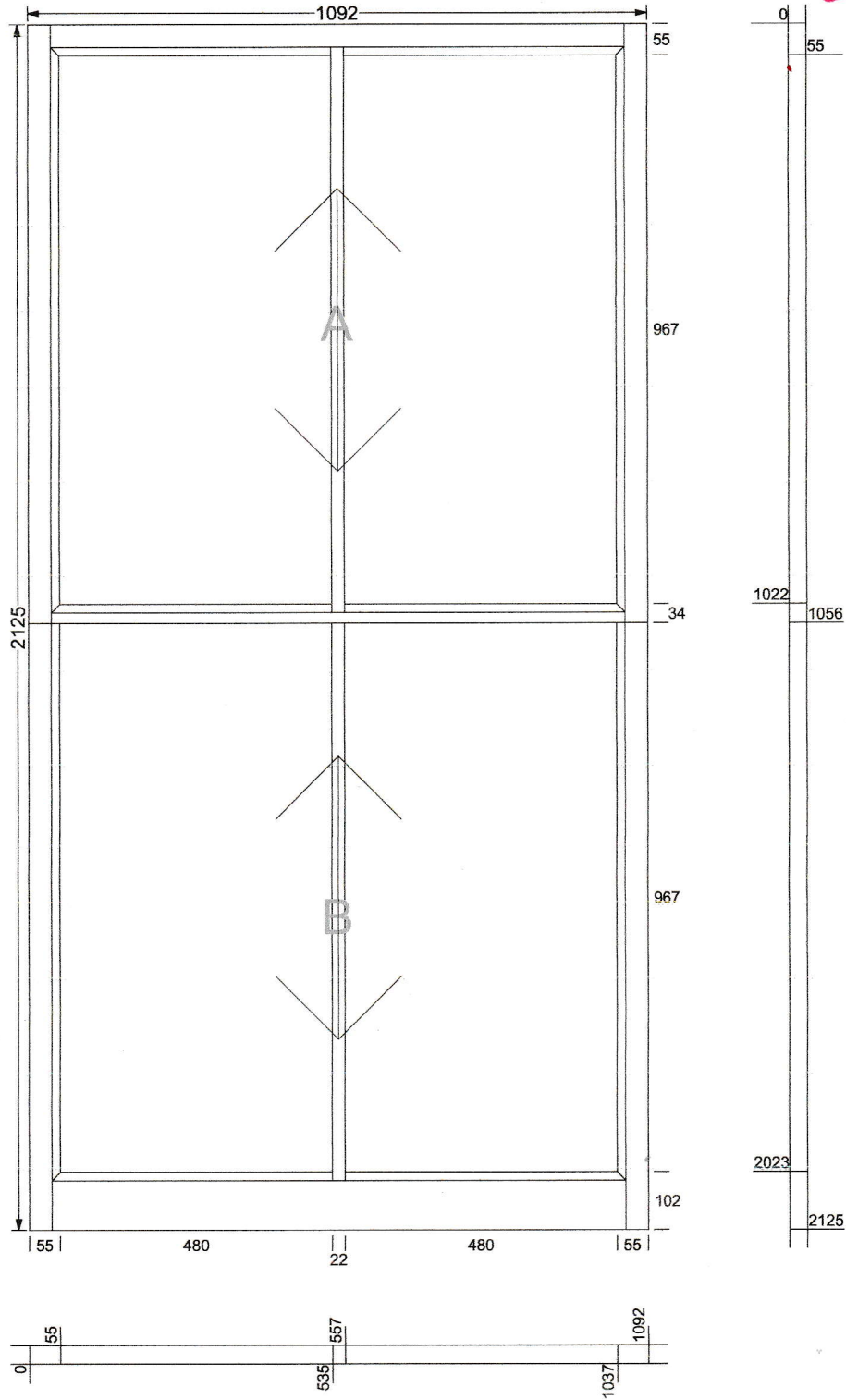
6 of 24

- 3 -

Large Drawings with Setting Out

1 X Sliding Sash - DINING FRT A

- HALLWAY east

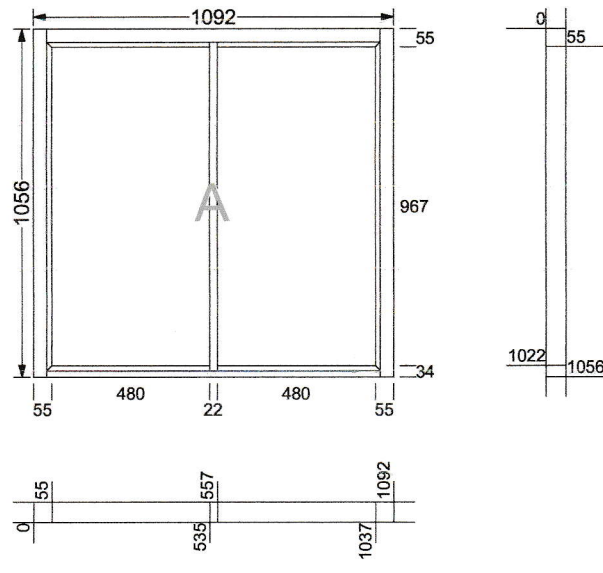


- 3 -

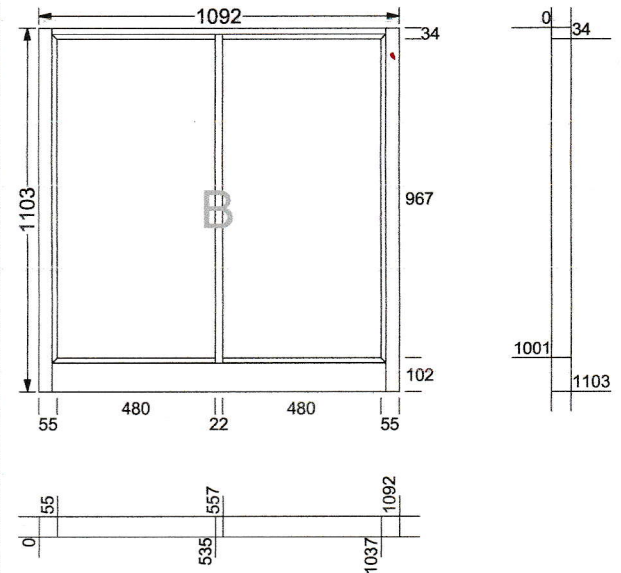
Large Drawings with Setting Out

hallway - east

DINING FRT A  
Top sliding sash



DINING FRT A  
Bottom sliding sash

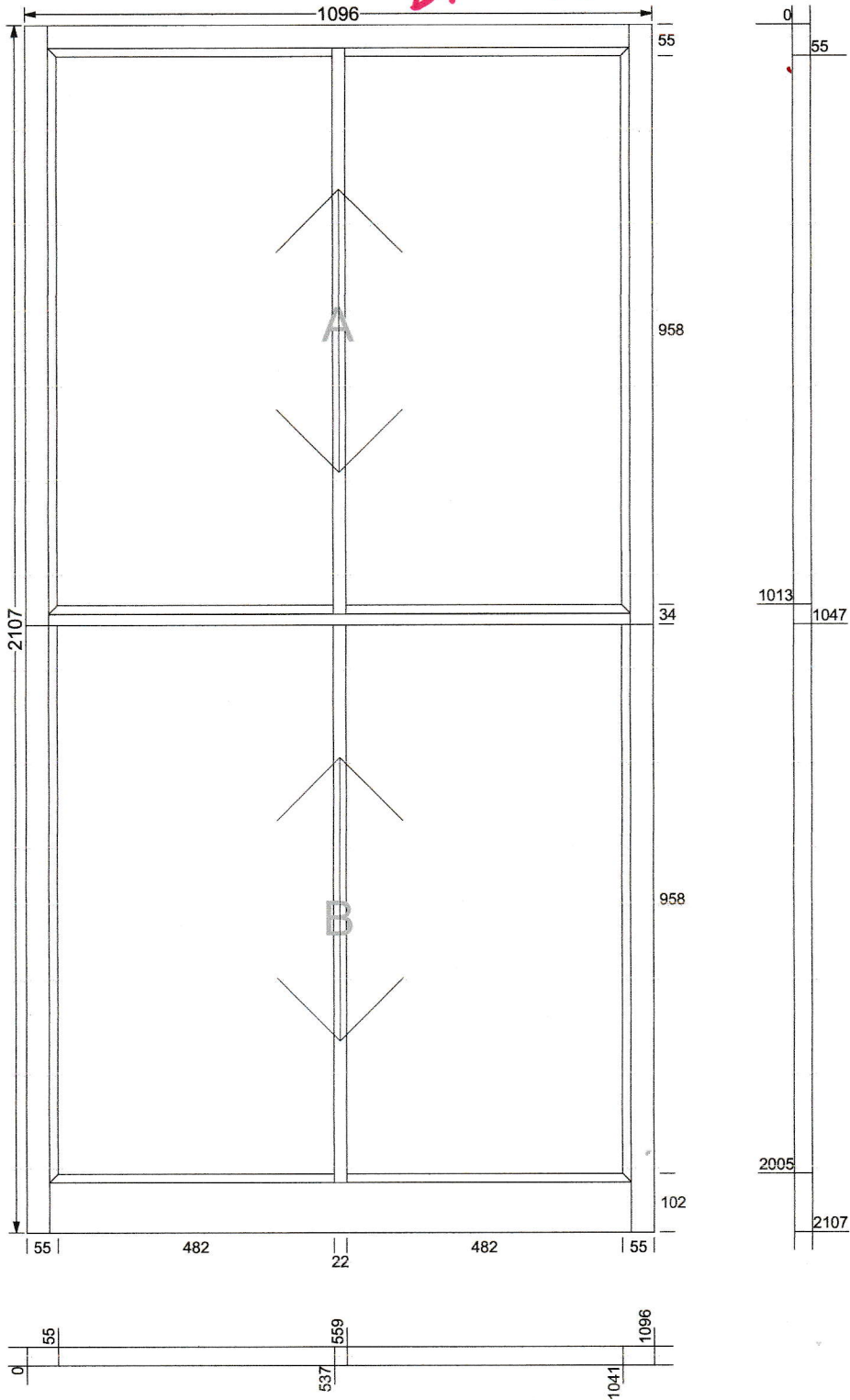




- 4/5/6

3 X Sliding Sash - DINING FRT B

- BATH ROOM - SOUTH



Job number

Jane HINDLE

15:25 27-02-24

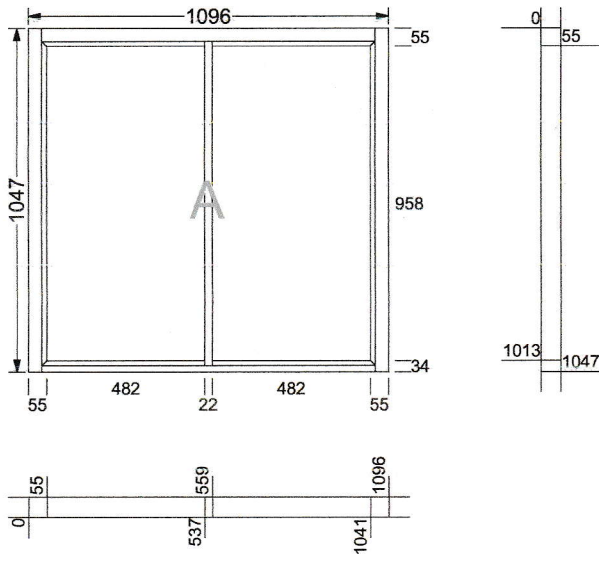
9 of 24

4, 5, 6.

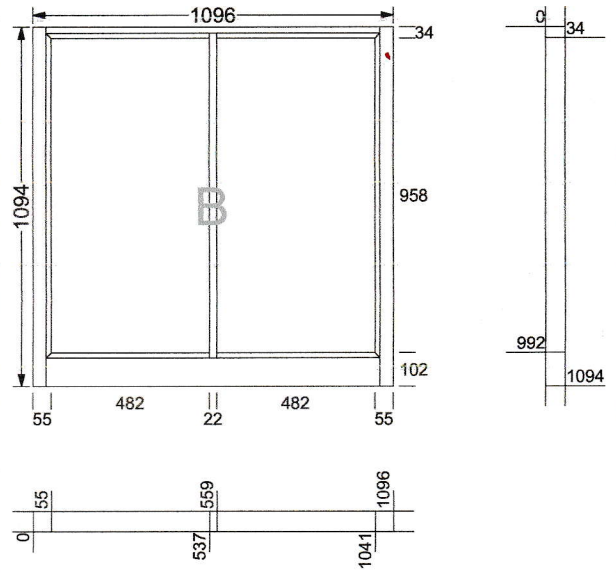
Large Drawings with Setting Out

*South facing*

DINING FRT B  
Top sliding sash



DINING FRT B  
Bottom sliding sash



Job number

Jane HINDLE

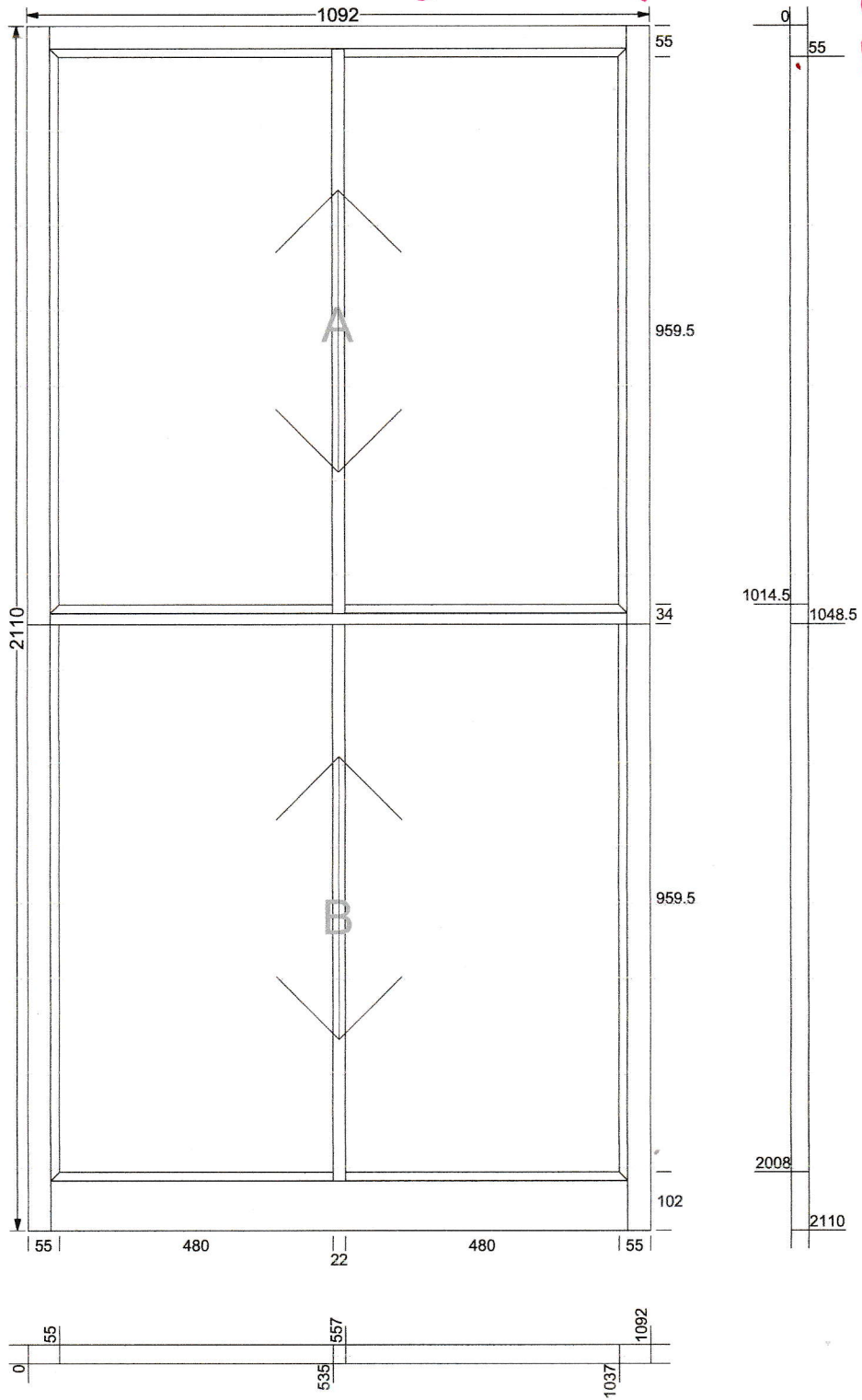
15:25 27-02-24

10 of 24

7 & 8

2 X Sliding Sash - DINING FRT C

DINING ROOM East & West



Job number

Jane HINDLE

15:25 27-02-24

11 of 24

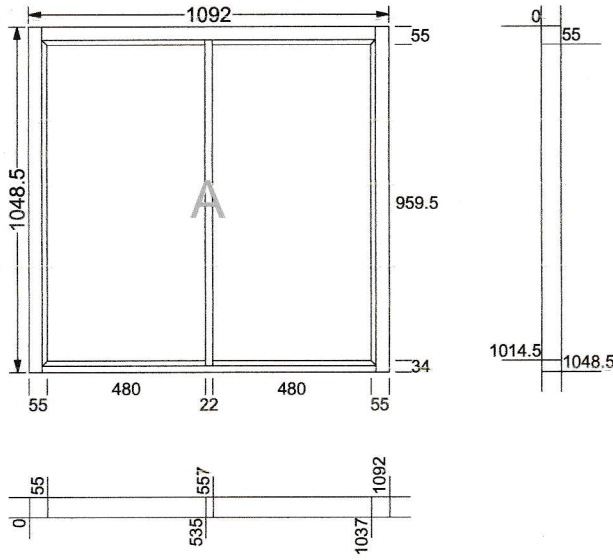
7 x 8

Large Drawings with Setting Out

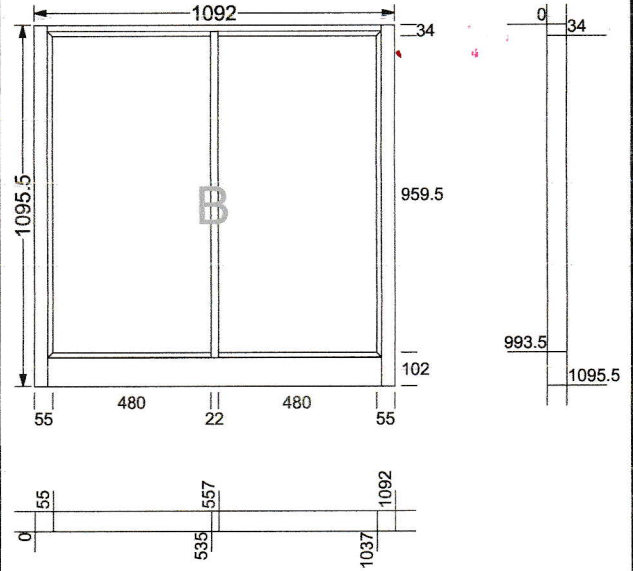
DINING ROOM

east west facing

DINING FRT C  
Top sliding sash



DINING FRT C  
Bottom sliding sash



Job number

Jane HINDLE

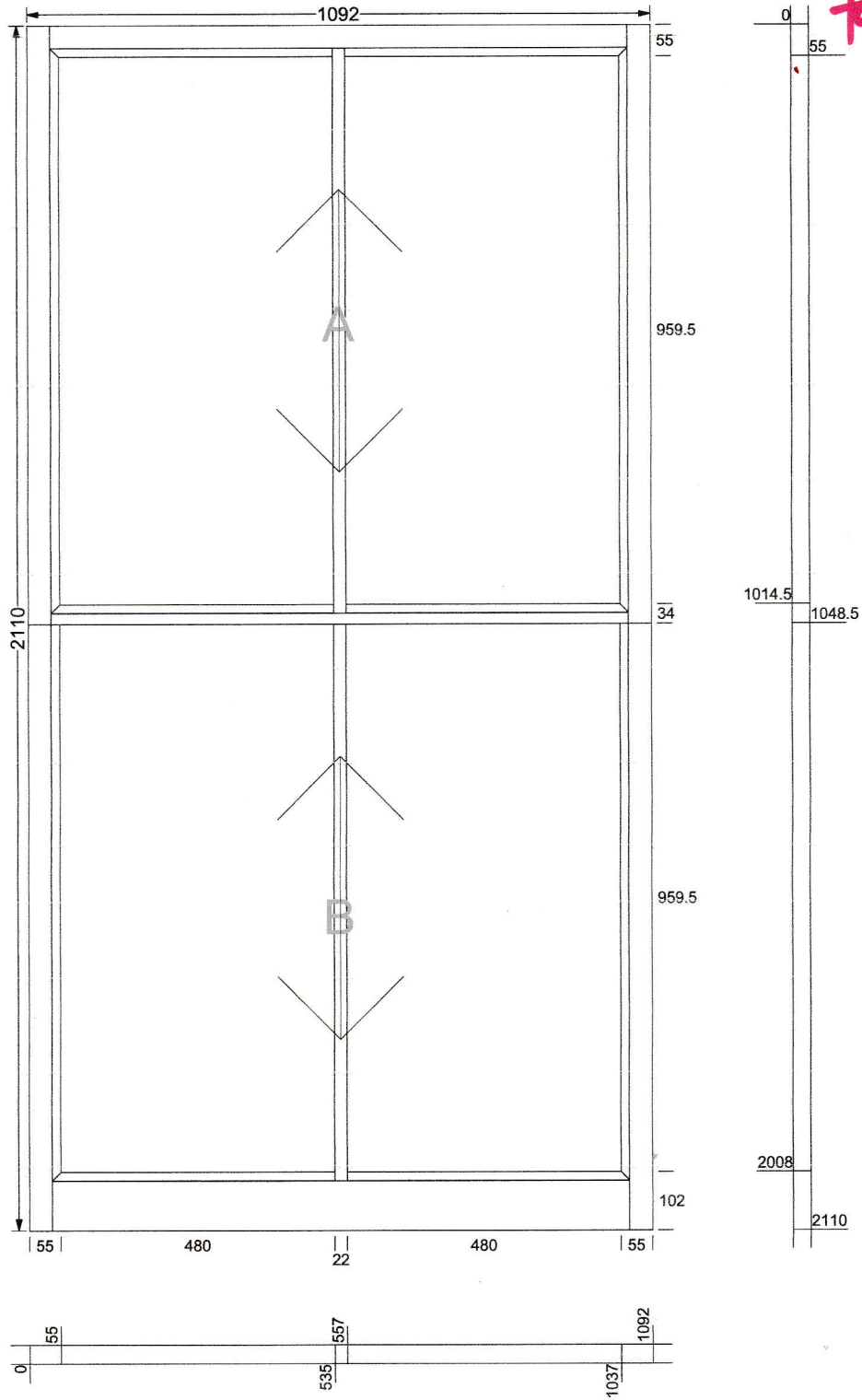
15:25 27-02-24

12 of 24



1 X Sliding Sash - DINING FRT D

KITCHEN ~~work~~ taving

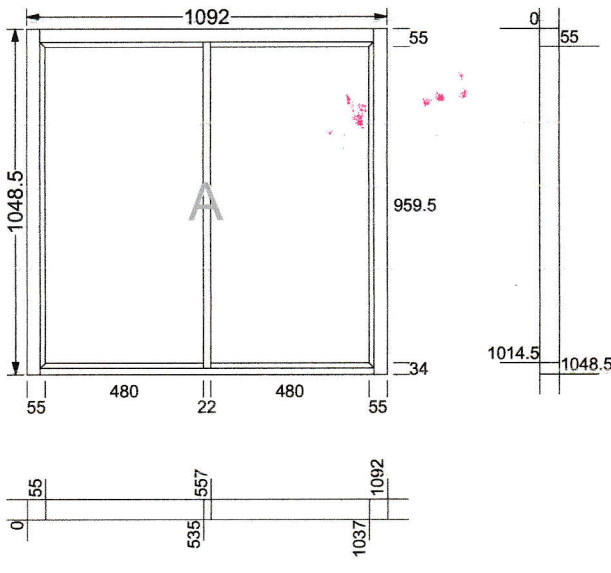


. 9 -

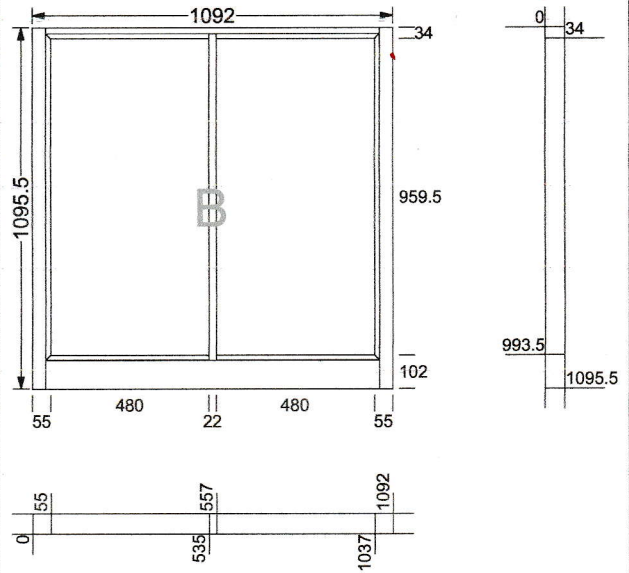
Large Drawings with Setting Out

KITCHEN - west

DINING FRT D  
Top sliding sash



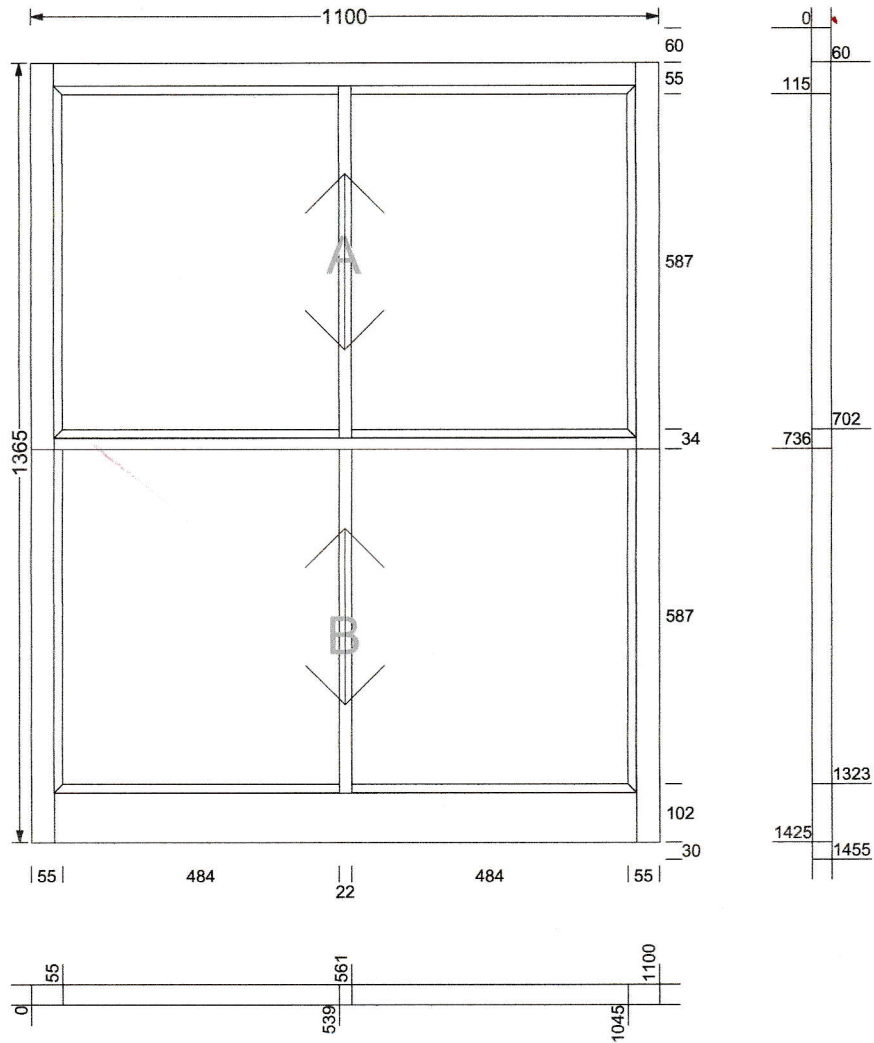
DINING FRT D  
Bottom sliding sash



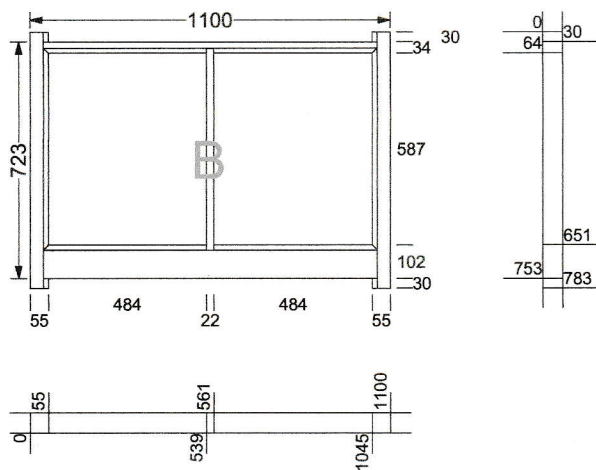
Client SSS - SAM  
Job Jane HINDLE

BEDROOM - TOP FLOOR  
west

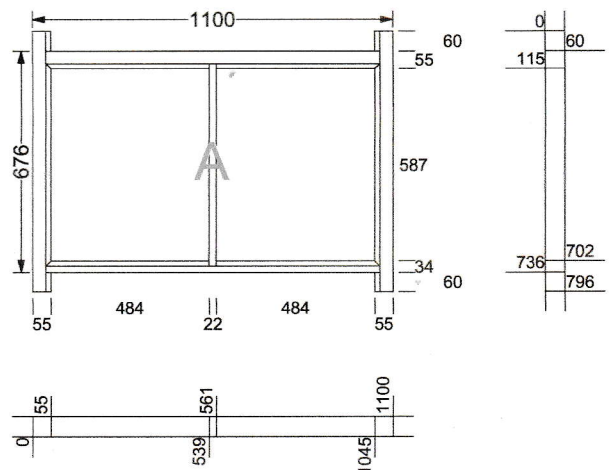
1 X Sliding Sash - LOFT



LOFT  
Bottom sliding sash

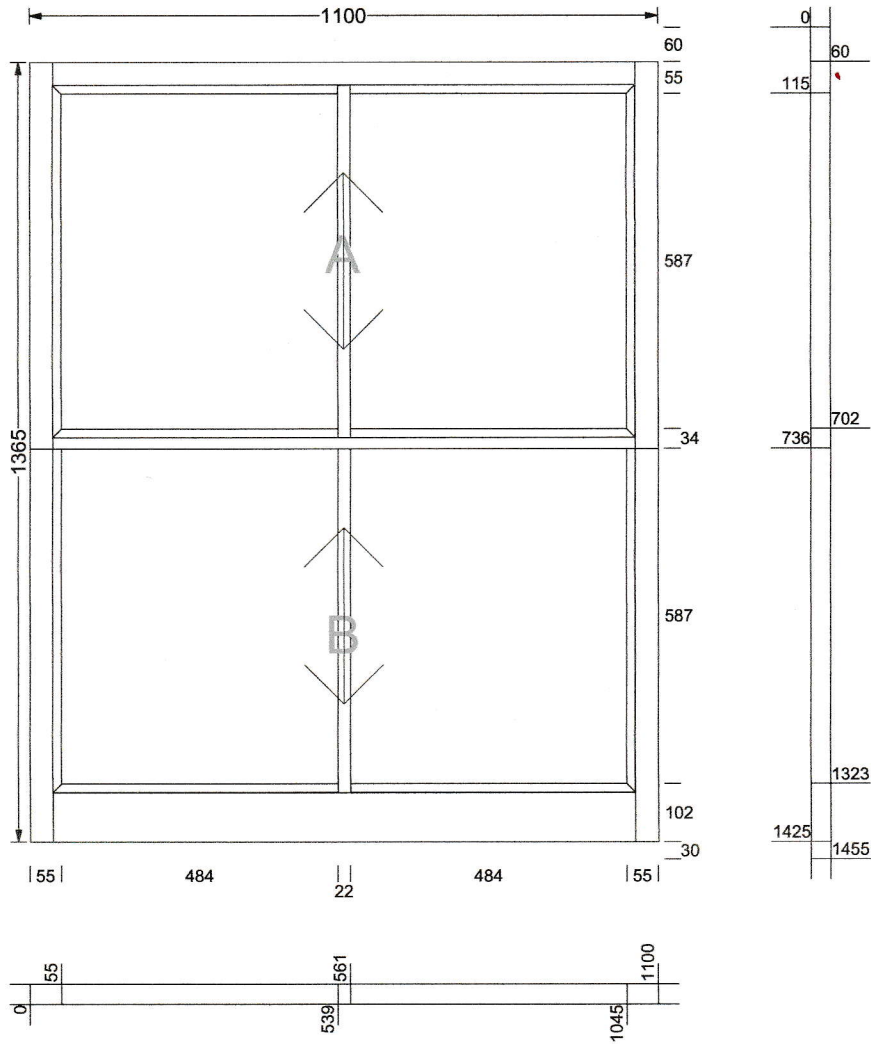


LOFT  
Top sliding sash

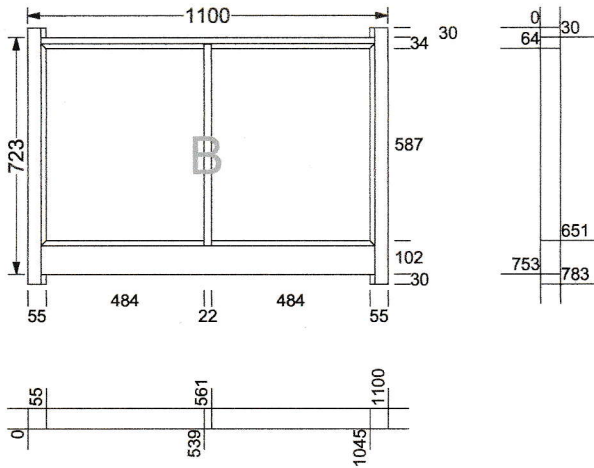


TOILET-west.

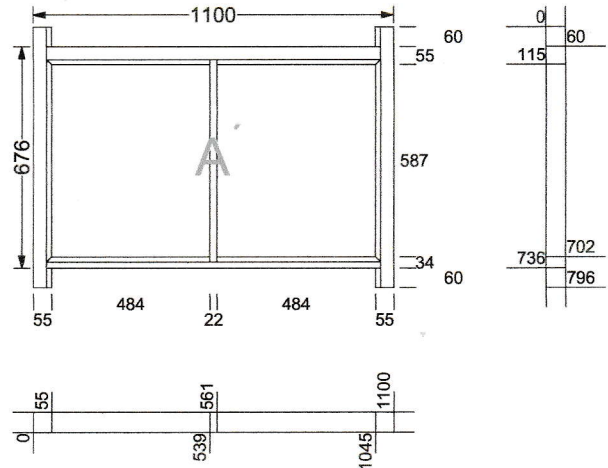
1 X Sliding Sash - SPARE



SPARE  
Bottom sliding sash



SPARE  
Top sliding sash

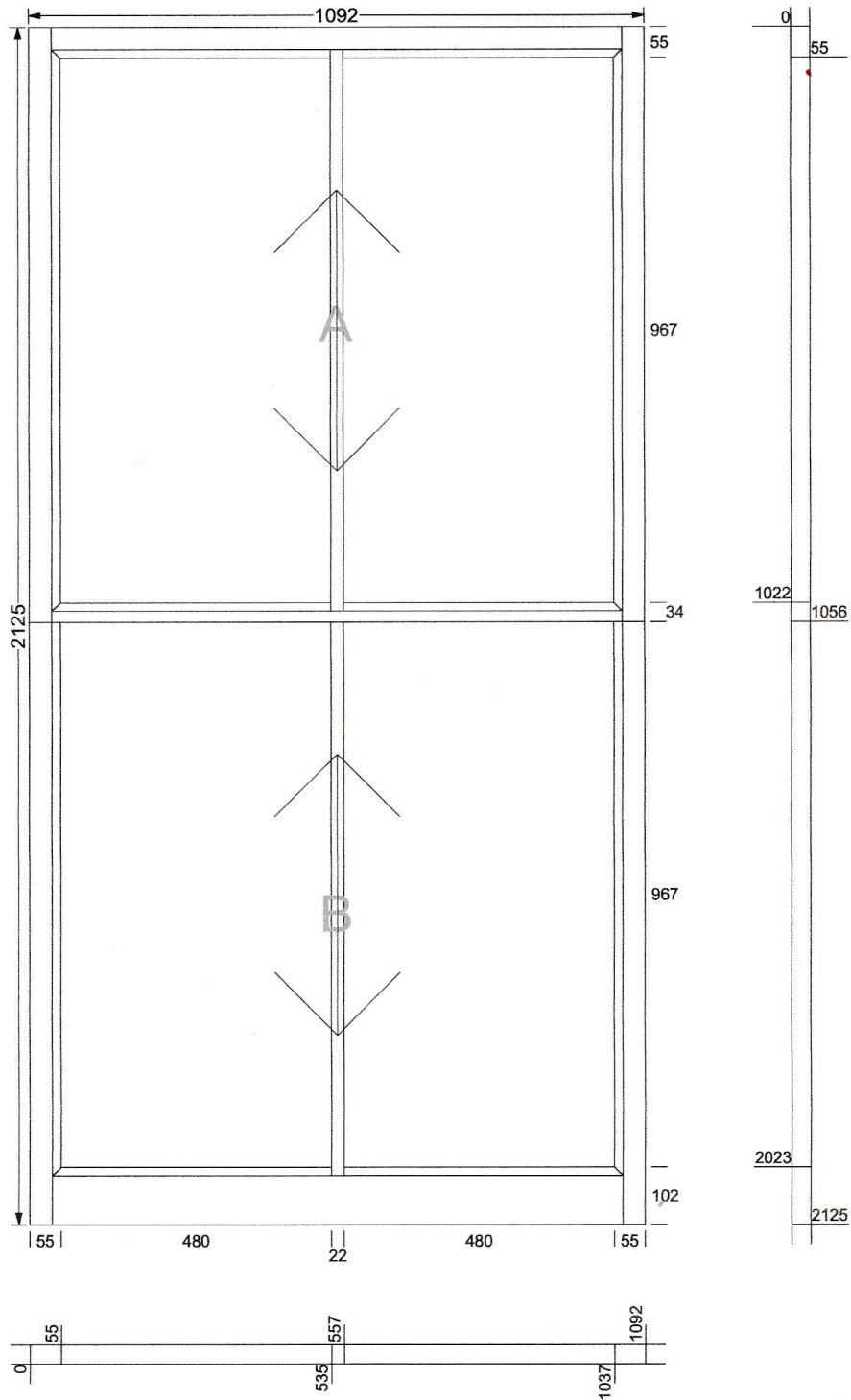




3

HALLWAY - east.

1 X Sliding Sash - DINING FRT A



Job number

Jane HINDLE

15:25 27-02-24

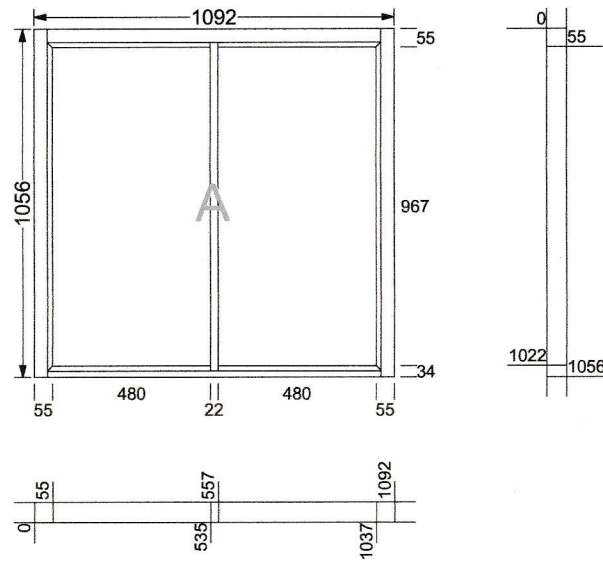
17 of 24

- 3 -

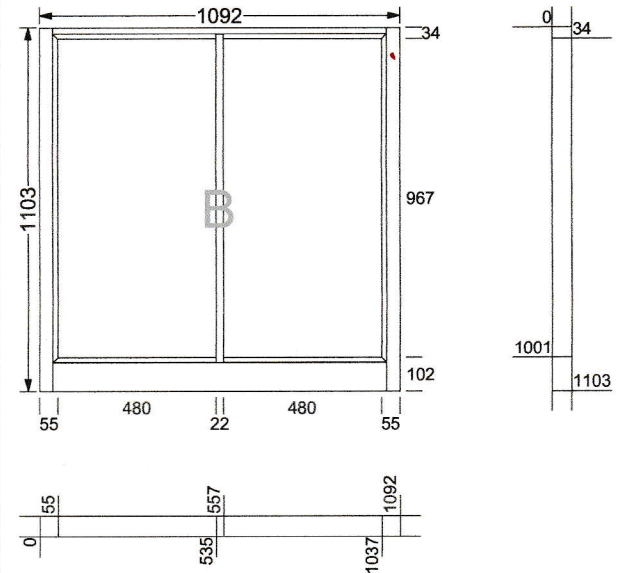
Mid size Diagrams with setting out

HALLWAY - east

DINING FRT A  
Top sliding sash



DINING FRT A  
Bottom sliding sash



No 4/5/6

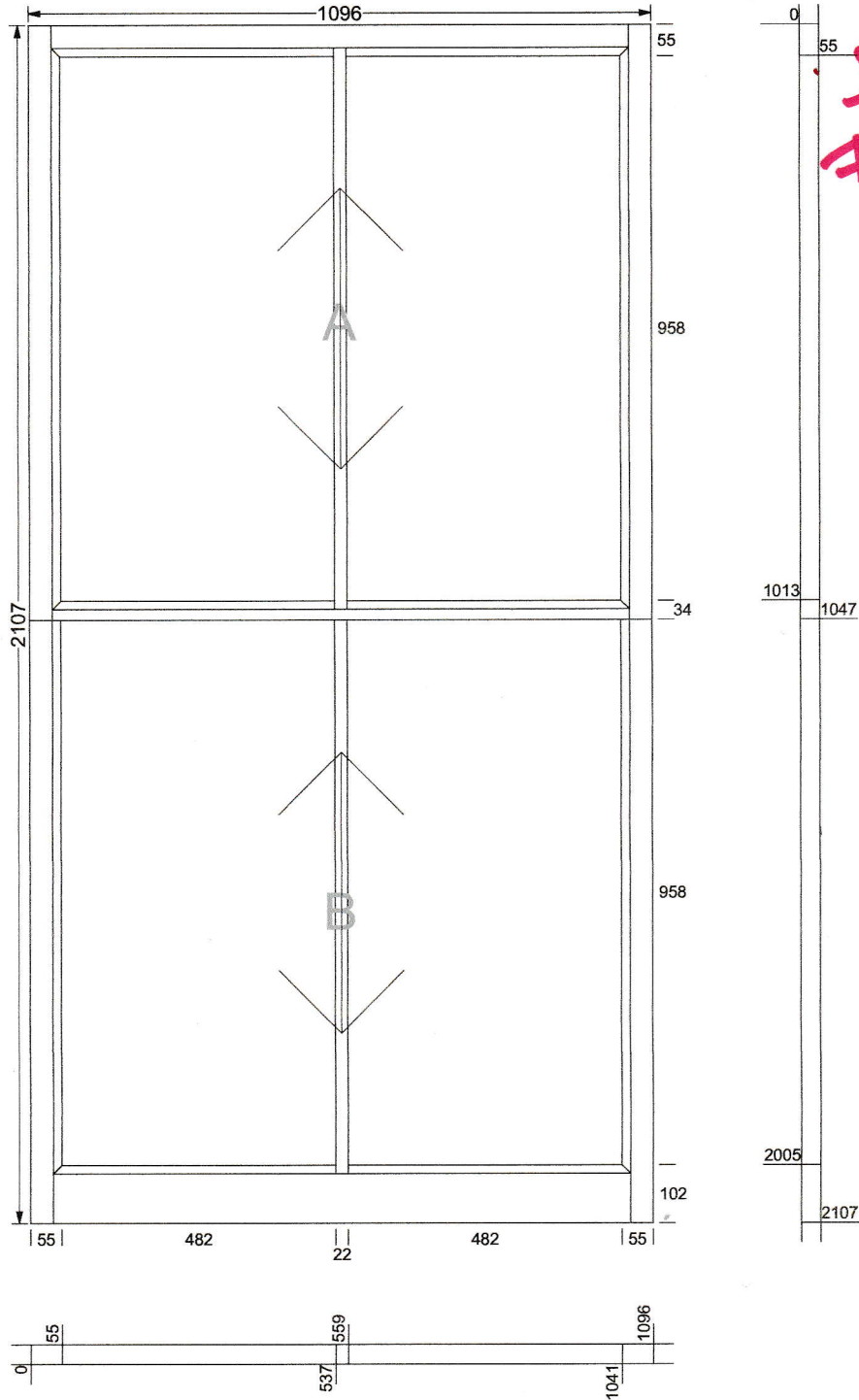
Mid size Diagrams with setting out

**BATHROOM**

**- FRONT ROOM x 2**

3 X Sliding Sash - DINING FRT B

**South Facing**



Job number

Jane HINDLE

15:25 27-02-24

19 of 24

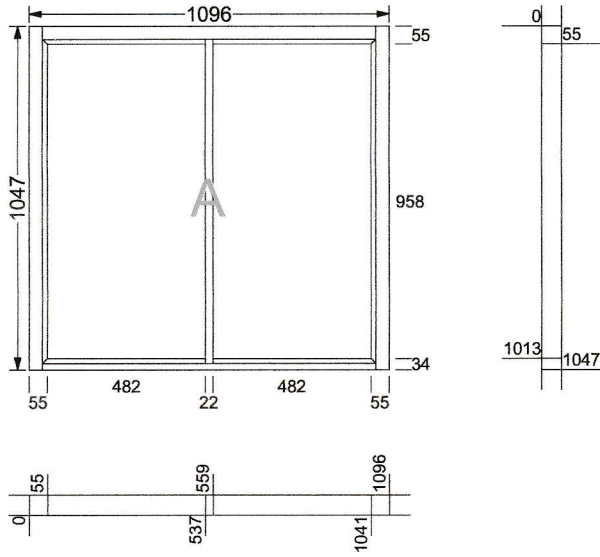
4,5,6

Mid size Diagrams with setting out

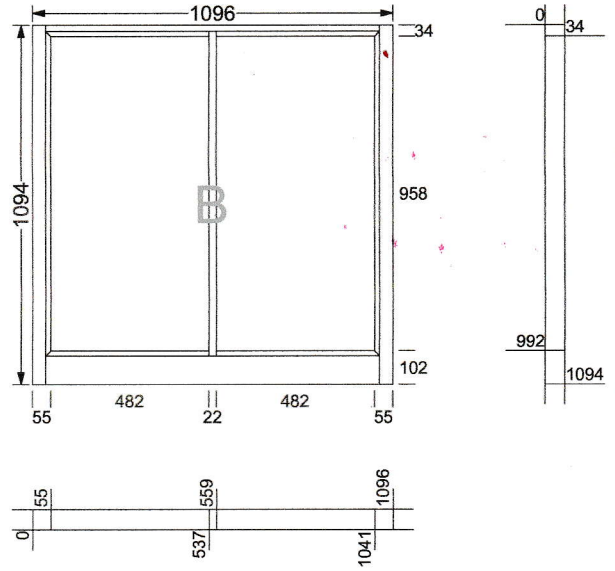
FRONT ROOM x 2

- south facing

DINING FRT B  
Top sliding sash



DINING FRT B  
Bottom sliding sash



Job number

Jane HINDLE

15:25 27-02-24

20 of 24

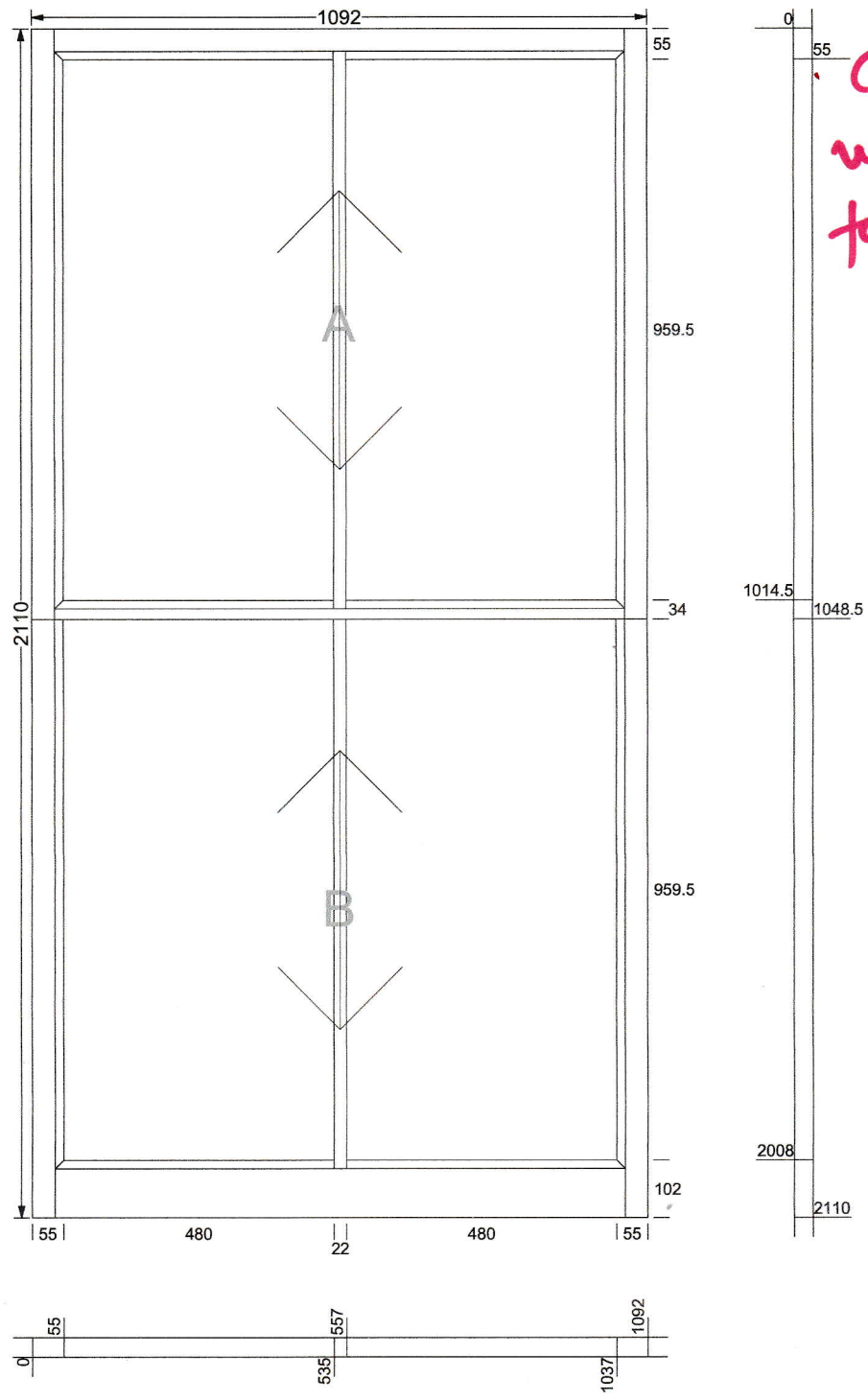


7-8

Mid size Diagrams with setting out

2 X Sliding Sash - DINING FRT C

- DINING ROOM x 2



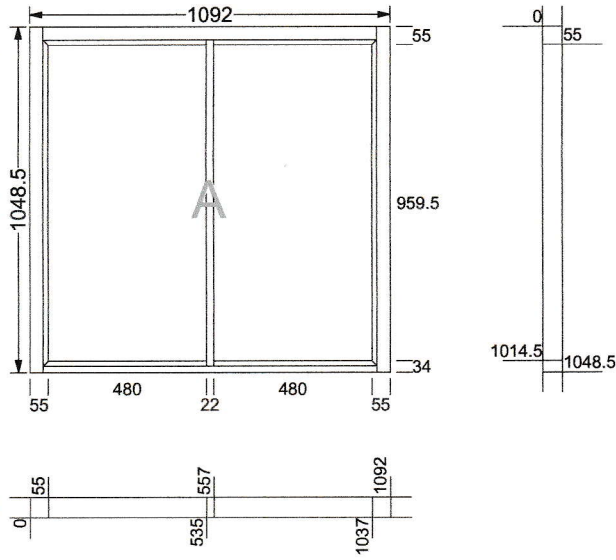
copy west facing

- 7 x 8 -

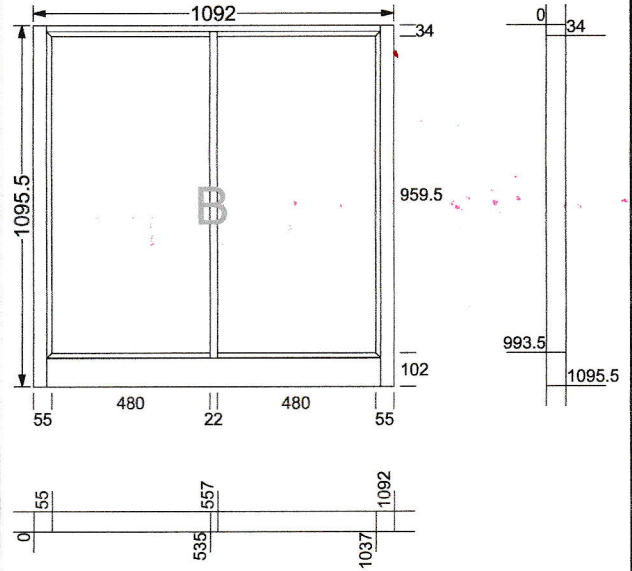
Mid size Diagrams with setting out

DINING ROOM x 2 - east & west facing

DINING FRT C  
Top sliding sash



DINING FRT C  
Bottom sliding sash



Job number

Jane HINDLE

15:25 27-02-24

22 of 24



- 9 -

Mid size Diagrams with setting out

KITTELN - web facing

