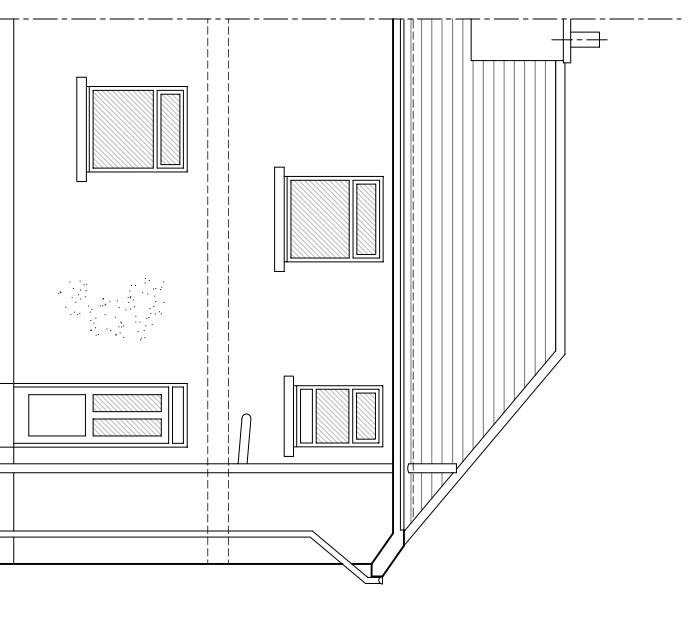
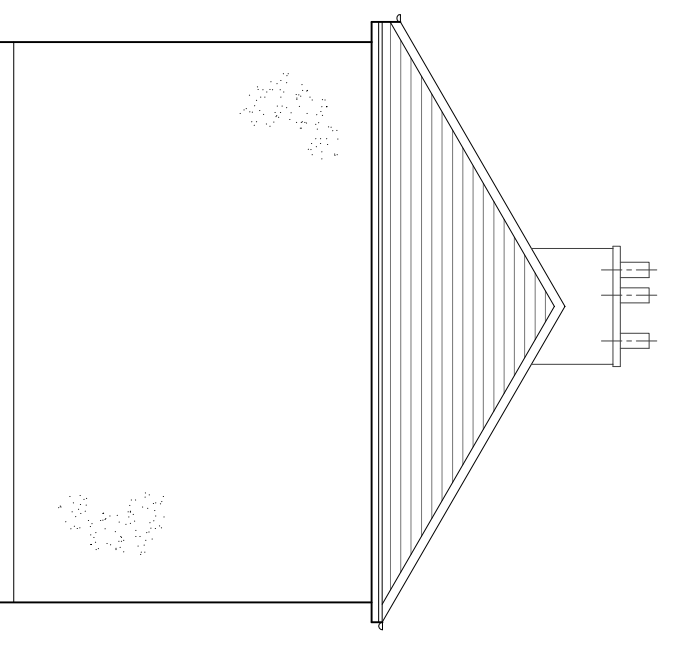


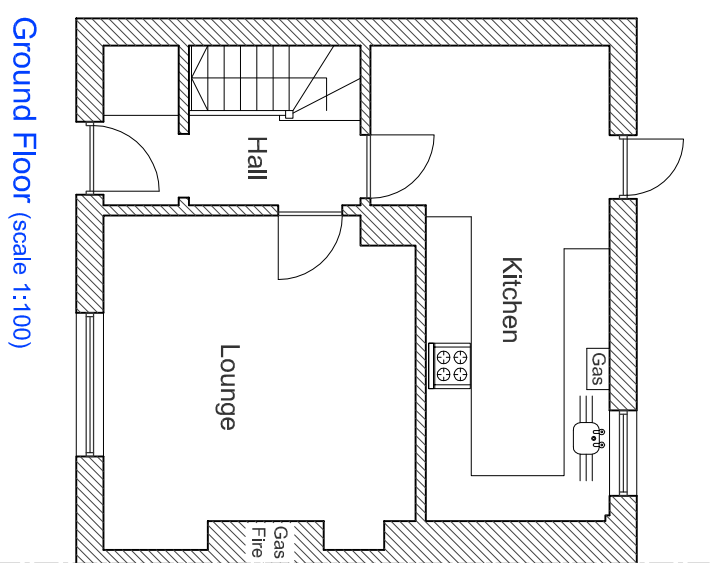
West Elevation (scale 1:100)



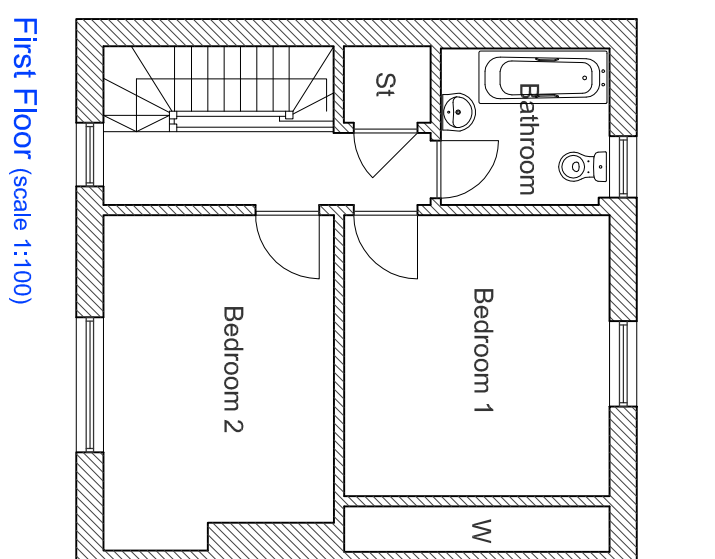
East Elevation (scale 1:100)



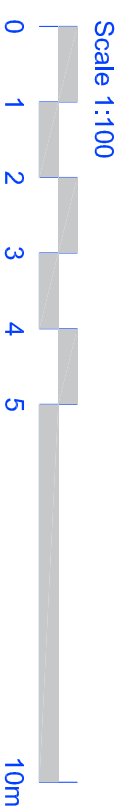
North Elevation (scale 1:100)



Ground Floor (scale 1:100)



First Floor (scale 1:100)



## PLANNING

**blueprint**architecture

RIBA CHARTERED ARCHITECTS  
19 HIGH STREET | TAIN | ROSS-SHIRE | IV19 1AB  
MAIL@BLUEPRINTARCHITECTURE.COM | 01862 892900

Client Ms MacAulay Scale 1:100

Project Extension to 15 Dochfour Drive, Inverness, IV3 5EB

Title Existing Floor Plans and Elevations

Size **A3**

Drawing No. **M1125/EX01**

Rev -

