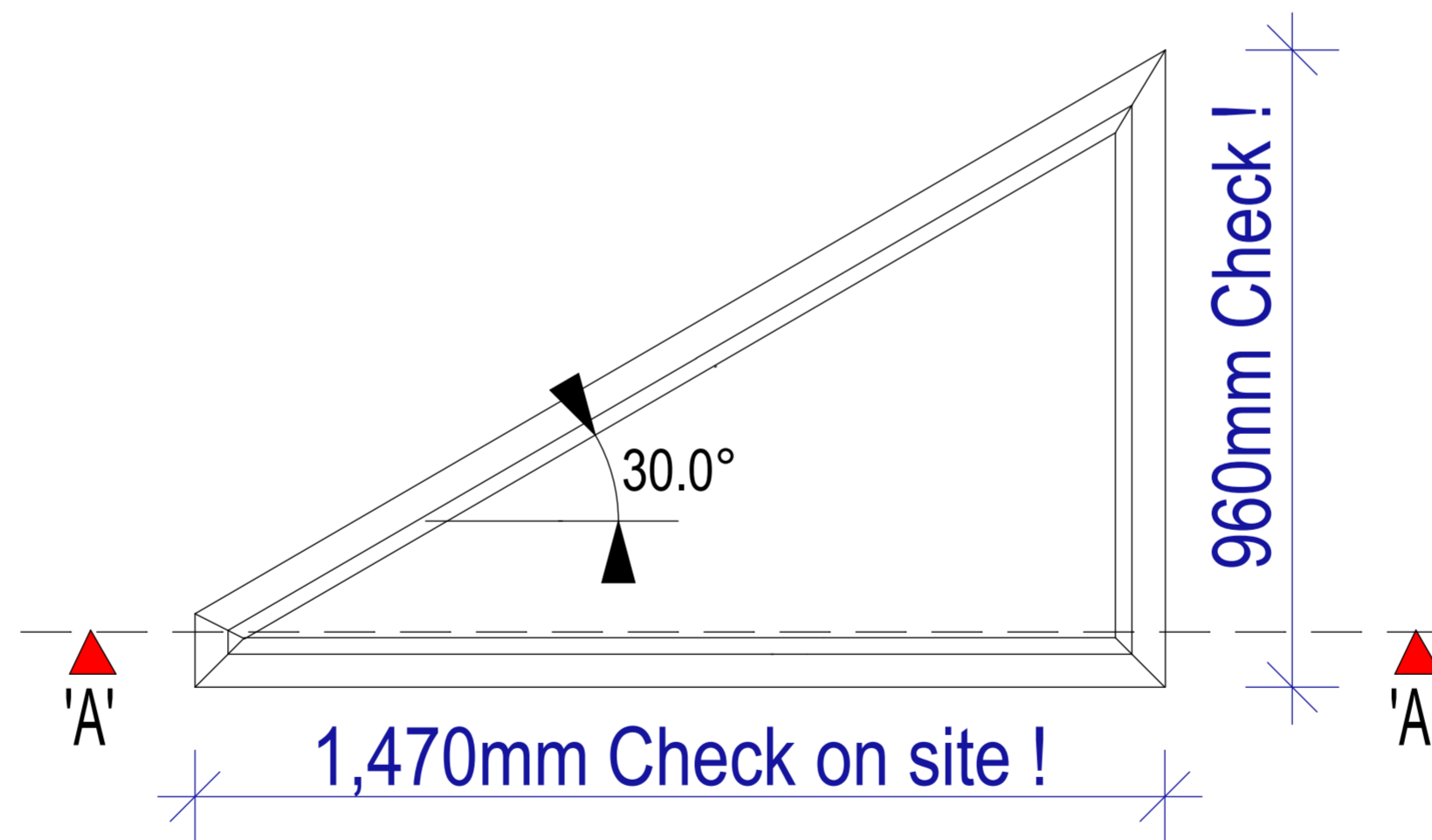


Proposed Section 'A'-'A'
Scale: 1:2 @ A1 Print

Windows and Doors :Important Notes on Drawing:

All timber work to be hardwood joinery kiln dried oak including the door and window cills
 Overall sizes - All measurements to be checked on site before manufacturer - Any discrepancies to be reported to MNL Designs Ltd before any joinery manufacturing
 All door and window casements are to be finished white gloss to match existing casements
 Weatherproofing and draught strips are to be incorporated in all openable sections of the casement
 ----- Dash indicates method of casement opening side
 Provide 14mm thick fully sealed slimlight double glazed units to each casement (4/6/4 profile)
 Use Saint Gobain Glass Argon Filled with Low emissivity (Low -E) coating - all to achieve a minimum "U" value of 1.4 w/m²k to satisfy building regulations
 Do not allow for any roughted slots for trickle vents within the frame - this is to be achieved (to satisfy building regulations) via using a suitable low profile air brick within the masonry frame wall construction below the cill line
 All glazed lights to windows and doors to be double glazed.
 utilise toughened glass to BS 6206:1981 to all 'critical' locations. units to consist low emission glass with "slimlight" frames 12mm air gap to achieve 1.4 w/m²K
 All windows within 800mm of floor level to be glazed with toughened glass
 Fix slimlight glazing panels within the rebated frames using linseed oil putty and small glazing spriggs
 This drawing must not be scaled. All dimensions are to be approxiamate only and to be checked prior to the construction stage



Rear Elevation
Proposed Study Window - 1 off
Scale: 1:10 @A1 Drawing

PL0 29.01.24 : Issued to client for approval : mnl

MNL DESIGNS LTD

5 Heather Close Thurston Bury St. Edmunds Suffolk IP31 3PX **tele:** 01359 232507 **Mo:** 07827 683 702 **e:** lewisnm521@gmail.com

client :
 Mr. William Pate

job :
 43 Whiting Street
 Bury St. Edmunds
 Suffolk
 IP33 1NP

drawing :
 Proposed Joinery Detail
 for Trapezoidal Window

scale: as shown	date: 29/01/24	dm.: mnl	job no.: MNL448	drg. no.: 05	rev.: PL0
--------------------	-------------------	-------------	--------------------	-----------------	--------------