

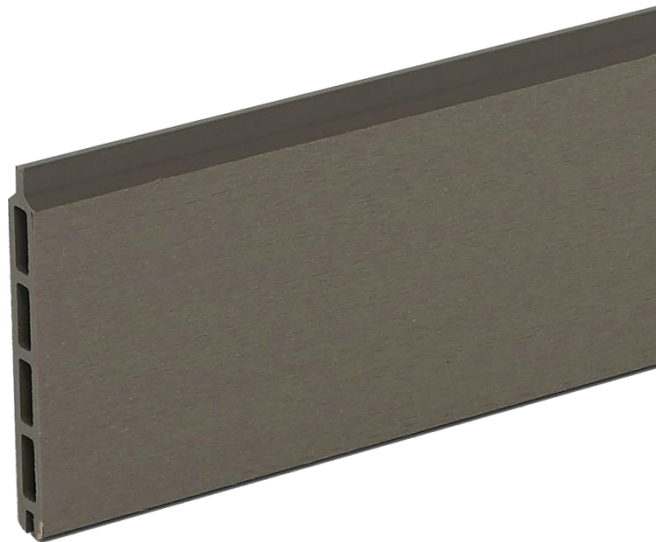


ENVIRO
BUILD

INSTALLATION & MAINTENANCE GUIDE

HYPERION

F E N C I N G



ENVIROBUILD.COM



+44 (0) 208 088 4888

Version 3.2

©EnviroBuild 2018



CONTENTS

Storage & Handling	03
Tools	04
Calculating Materials	05
Accessory Recommendations	06
Post Installation Overview	07
Post Installation on Hard Concrete	08
Post Installation on Non-Concrete Grounds	09
Fencing Installation Steps	10
Retrofitting to Existing or Concrete Posts	12
Maintenance & Care	13
FAQs	14





STORAGE & HANDLING

While composites are highly durable, to ensure their lasting beauty, please follow these important guidelines when storing, moving and working with Hyperion Fencing products.



Storage

- Material should always be covered until it is ready to be installed to maintain a clean surface. If stored outside use a non-translucent material
- All products should be stored flat and level, supported above the ground at 500mm intervals
- Battens used to separate and support stored material should be spaced no more than 500mm apart, to ensure the boards don't bow
- Stack units with banding and bottom supports aligned
- Pallets of fencing slats should not be stacked more than 4 pallets or 3m in height



Handling

- Hyperion Fencing materials should be placed and not dumped when unloading
- When removing boards from a unit, lift the slats and set them down, do not slide slats against each other when moving them
- Carry Hyperion Fencing slats on the edge for better support
- During construction, do not slide or drag any equipment across the slats
- The surface of the boards should be kept free of construction material and waste to prevent damage
- Each 1.8 fencing slat can weigh on average 4.5kg please ensure they are handled safely. we recommend that two people handle the boards during transportation





Recommended Tools To Install Hyperion Fencing

Standard woodworking tools can be used when working with Hyperion Fencing. If you are unsure on how to use any tool, please consult the tool's manufacturer's user manual.

- Circular Saw - we recommend a thin kerf 40-tooth alternate top bevel finish blade to achieve the cleanest cuts
- Power Mitre Saw can also be useful for efficiency and bevelled edges
- Impact Driver
- Tape Measure
- Adjustable Spanner
- Spirit Level
- Safety Glasses and relevant Personal Protection Equipment (PPE)
- Chalk Line
- Hand Power Drill
 - 8mm masonry drill bit (for 100mm rawl plugs)
 - 10mm masonry drill bit (for 80mm coach bolts)
 - 3mm metal drill bit (for 55mm pile up screws)
- Sledge hammer and driving block if using fence post spikes

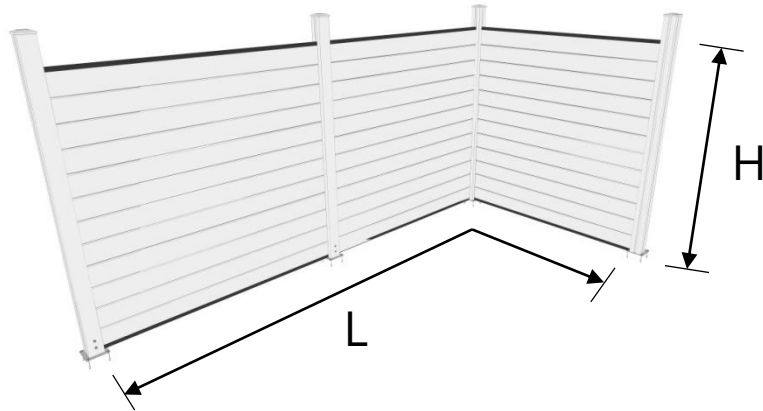




CALCULATING MATERIALS

To determine how much Hyperion Fencing material will be required, you can either use detailed plans or follow the method below. Alternatively, feel free to use our [online calculator](#) or speak to one of our technical experts on 0208 088 4888.

fig.01



- 1 Start off by measuring the length and height of your proposed Fencing area(s)
- 2 Once you have your fence length, divide this by the length of a full fence panel and post (1.8m)

The following example will use a Fencing area of 18m long x 1.8m high

Length = 18m, then $18\text{m} / 1.8\text{m} = 10$ fence panel sections

- 3 Simply order this amount of complete fence panels on our website and all the required material will be delivered to site.

Fences with a height below 1.8m

- 4 If your required fence height is less than 1.8m or have existing fence posts and you want to order just the fence slats, then you need to divide the required fence height by the height of a fence slat (0.15m) and multiply this by the amount of complete fence sections (1.8m wide) you require.

The following example will use a Fencing area of 19m wide x 0.75m high:


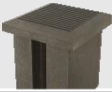

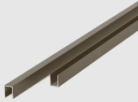
Height = 0.75m, then $0.75\text{m} / 0.15\text{m} = 5$ fence panel boards per section

10 fence panel sections x 5 fence boards per section = 50 fence panel boards



ACCESSORY RECOMMENDATIONS

You may also require composite fence posts, post caps, post stands, post spikes and slat panel caps. Below are our quantity recommendations for Hyperion products:

Item	Product	Profile (mm)	Size Options	Colour Options	Quantity per M2
	Fence posts	90 x 90	2000mm lengths	Granite or Walnut	1 per full fence panel plus 1 to finish the fence
	Fence post cap	100 x 100	One size	Granite or Walnut	One per post
	Fence post stand	138 X 138	One size	Black	One per post if installing onto concrete
	Fence panel cap	20 x 30	1770mm lengths	Granite or Walnut	2 per fence panel section

These are best estimates only, for more complex designs and features, a drawing to scale may help you determine how much material will be required.

Calculation Recommendations

- A drawing to scale may help you determine how much more material will be required
- Always round UP the number of materials required
- For multiple fencing areas, follow the steps for each above and sum the quantities together
- If your design is sloped it is recommended that you add at least 5% to the total fence slats required for wastage
- The type of ground underneath the proposed fencing area will determine the post substructure needed support the fence (**see p.7-9**)





SUB-FRAME INSTALLATION OVERVIEW



Before You Start

The type of foundation underneath the proposed fencing area will determine the post substructure needed to support the fence

- For solid foundations such as concrete or masonry work it is recommended to use the Hyperion fence supports. To see more about Hyperion fence support installation see p.8
- If the fencing will be installed over soft – non/concrete foundations you can install the posts using post spikes. Fence post spikes are currently not supplied by EnviroBuild. They can be purchased at any good hardware store or online outlet. When sourcing your fence post spike please ensure that the collar will be able to secure the 90 x 90mm fence post. To see more about fence spike installation see p.9

Spacing The Fence Slats & Posts

Due to natural expansion and contraction of material with changes in temperature, please ensure the following gapping requirements for all Hyperion Fencing products:

- An expansion gap of 6mm should be left between the fence slat and post.
- When measuring between post supports you need to allow for the fence slat width (1800mm), the fence post indent width (60mm) and the fence slat expansion gap (6mm) – A 1866mm spacing in total



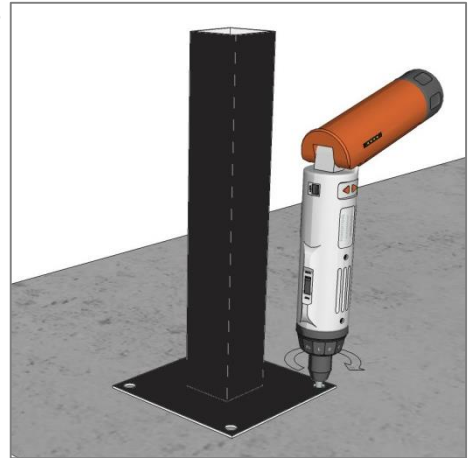
SUB-FRAME ON HARD CONCRETE - FENCE SUPPORTS

Option 1. Hyperion Post Supports

Hyperion Fencing post supports need to be fixed to solid foundations such as concrete or masonry work. When measuring between post supports you need to allow for the fence slat width (1800mm), the fence post indent width (60mm) and the fence slat expansion gap (6mm) – **1866mm total**

If fixed to concrete you must ensure the concrete has a depth of at least 10cm.

fig.03

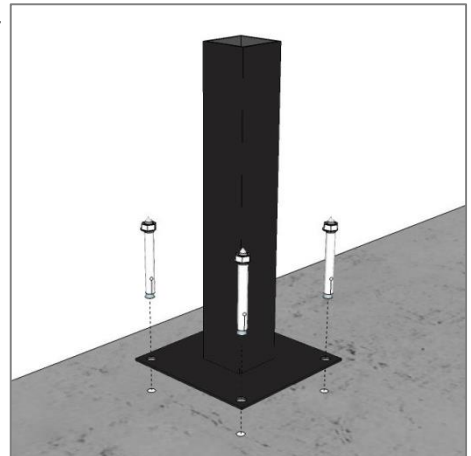


1 Mark out the run of the post support centres (**1866mm apart**). Please note that the posts should always be on your side of the property boundary

2 Place metal post supports in position, ensuring they are level and square to the run of the fencing

- With the supports in position, use the 4 pilot holes in the post supports to mark the support fixing holes to be drilled (**fig.03**)
- With an 8mm masonry drill bit, pre drill the fixing holes to the correct depth (80mm if using coach bolts, 100mm if using rawl plugs)
- Firmly secure the post stand using the desired fixings, ensure there is no movement in the stand (**fig.04**)

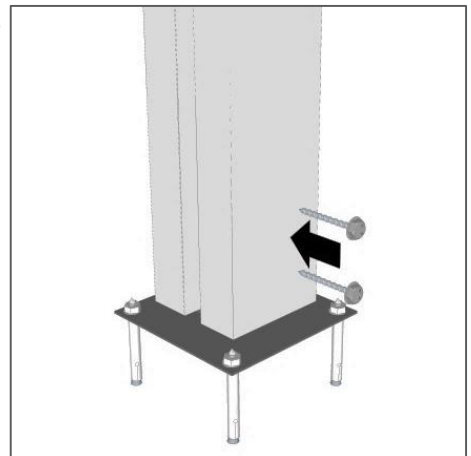
fig.04



3 Securely fix the fence post to the stand using the 2 pile up screws provided

- Pre drill 2 x 3mm pilot holes in the base of the post through to the stand inside (ensure the holes are drilled in the centre of the post)
- Insert and tighten the 2 pile up screws provided so the post is firmly locked to the post stand (**fig.05**)

fig.05





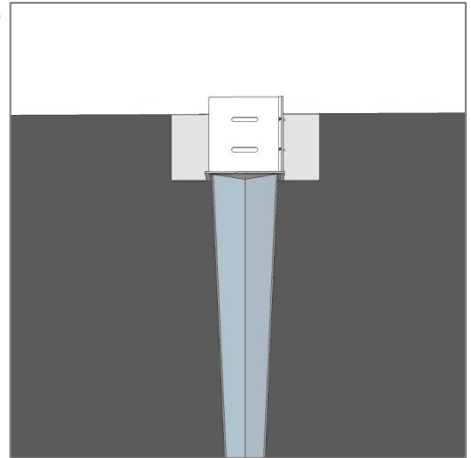
SUB-FRAME ON SOFT/NON-CONCRETE FOUNDATIONS

Option 2. Fence Post Spikes

For soft and non/concrete foundations you can plant the posts using fence post spikes. All fence slats are made to a standard 6ft, so when measuring between fence post spikes you need to allow for the fence slat width (1800mm), the fence post indent width (60mm) and the fence slat expansion gap (6mm) – **1866mm total**.

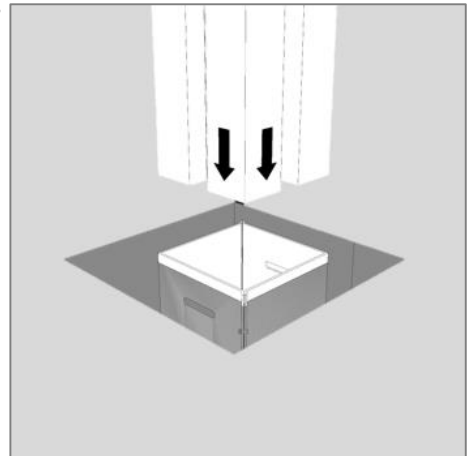
Fence post spikes are currently not supplied by EnviroBuild. They can be purchased at any good hardware store or online outlet.

fig.06



1 Mark out the run of the post spike centres using the fence section dimensions above (**1866mm**). Please note that the posts should always be on your side of the property boundary

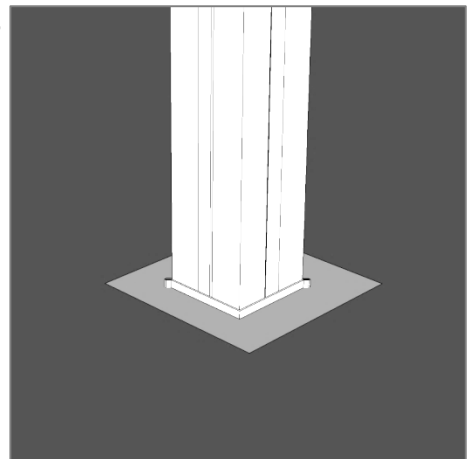
fig.07



2 Measure the height of the fence post spike collar. Dig a small hole 1-2cm shallower than the height of the post spike collar, and wide enough around that you can tighten it once the post is in place (**fig.06**).

3 Place the fence spike into the hole. Then place a driving block into the post spike and use a sledgehammer to drive the post spikes into the ground. Using a spirit level ensure all spikes are perfectly level and square to the run of the fencing (**fig.06**)

fig.08



4 Slide the fence posts into the post spikes. Tighten the spike collar until the posts are securely held and sit square to the fence line (**fig.07**)

5 Fill in the remainder of the hole being sure to tightly pack the soil around the fence spike collar (**fig.08**)



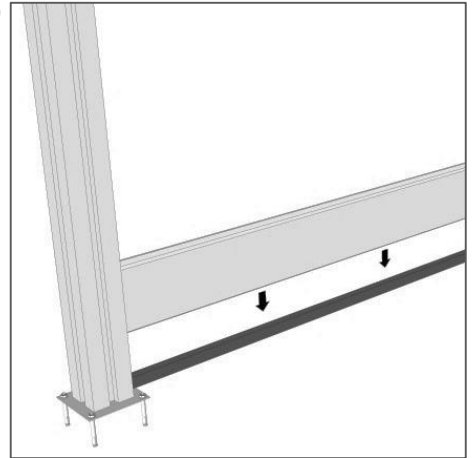


FENCE INSTALLATION

With your subframe levelled and stable, you can now start installing your fence slats. **fig.09**

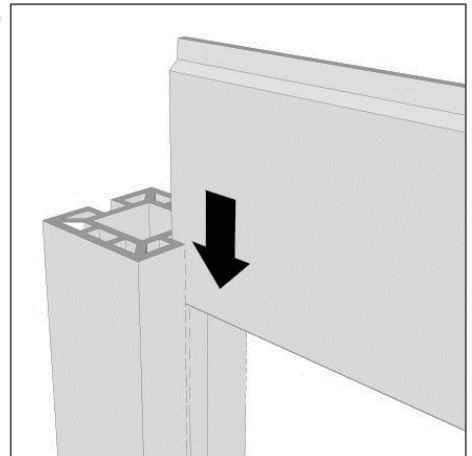
Installing The Fence Panels

- 1 With the post in place, slide the fence post onto the stand (**fig.09**)
 - Ensure you have the post grooves in the correct direction to allow for your 90 or 180 degree fencing run
 - For a shorter height of fencing, you can simply cut the fence posts to size



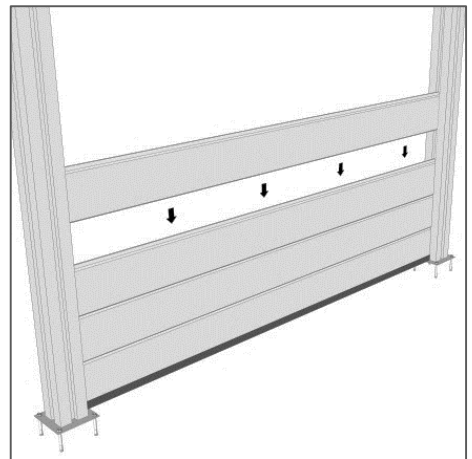
- 2 With opposing fence posts in place, you can now start to add the fence slats (**fig.10**)
 - Firstly, clip a the fence panel cap to the bottom of the first fence slat (**fig.09**)
 - Slide the slat, with panel cap attached, down the grooves in opposing fence posts

fig.10



- 3 Continue to slot in the remaining slats until the required fence height
 - 12 slats for a standard 1.8m (6ft) fence height (**fig.11**)

fig.11





FENCE INSTALLATION CONTINUED

- 4 With all the boards installed you can finish off the fence panel
 - Clip on the second metal panel cap to finish the top of the last fence slat (fig.12)
 - Insert the fence post caps into the top of the fence posts (fig.13)

- 5 Repeat steps 1 - 4 until the entire fence is complete

fig.12

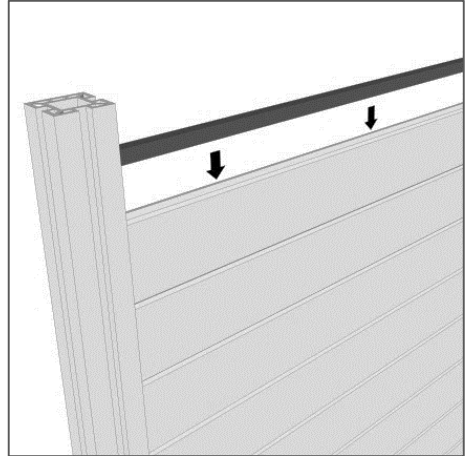


fig.13

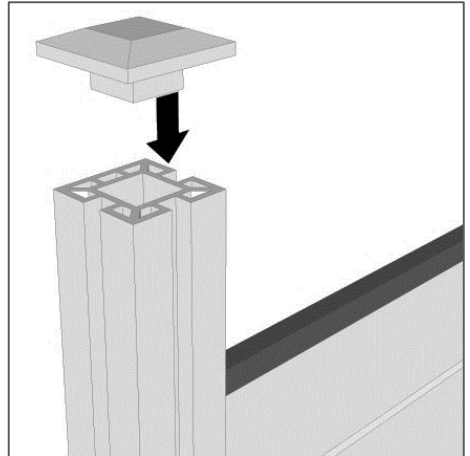
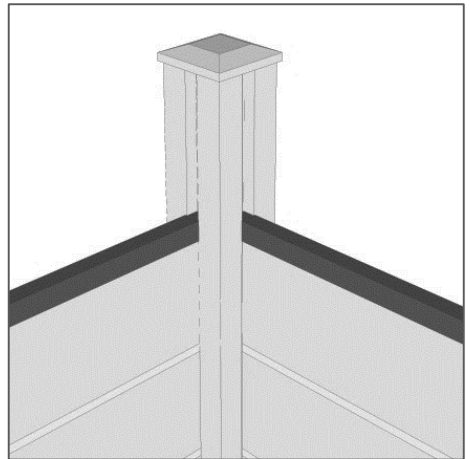


fig.14



Installing Hyperion Fencing on a gradient

All fence slats and posts can be cut to size to help with slopes

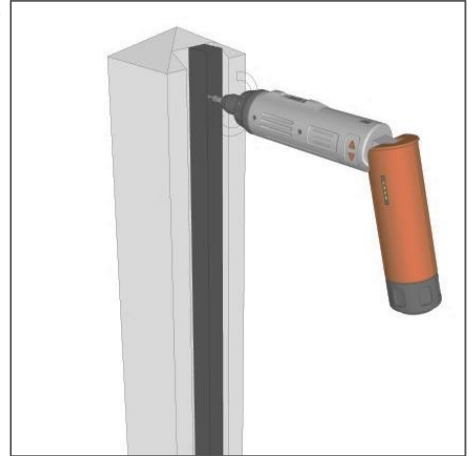
- Either, the fence slat ends can be mitred to account for the angle of the slope, or
- The bottom fence panel slat(s) can be ripped to the angle of the slope (the bottom panel cap must be in place when installed)



INSTALLING ONTO EXISTING POSTS

- 1 As the fence slats are 1800mm in length, they will fit between existing standard concrete or wooden posts to replace existing and worn out wooden fence panels.
 - The aluminium fence panel caps can be used as sliders in which to hold the fence slats (as well as finishing off the top and bottom of the fence) (**fig.15**)
 - The fence panel caps can be cut to the required height

fig.15



- 2 Pre-drill 5 x 4mm holes along the centre edge of 2 aluminium post caps (per fence panel) (**fig.15**)
- 3 Screw the caps to the inside edge of either the concrete or wood posts (**fig.15**)
 - Pre-drill concrete posts and insert rawl plugs to hold screws

fig.16



- 4 Slide down the 1st fence panel board with bottom panel cap attached, into the opposing fixed panel caps

- 5 Continue to slide down panels until the required height (**fig.16**)

- 6 Finish the panel by sliding in the top panel cap (**fig.17**)

fig.17





MAINTENANCE & CARE

Hyperion products are low maintenance, however with a little cleaning you can help keep your outside space looking beautiful for longer. Please note that although Hyperion products are relatively colour stable, there may be some initial lightening of the Pioneer range products as the product naturally weathers over the first 8-10 weeks.

Dirt & Grime

Maintaining a clean, dry surface is the best method for combating dirt, grime and mildew build up, where a periodic cleaning is all that maybe required. Even though Hyperion products are formulated to inhibit mildew growth and staining, mildew stains can occur where moisture and dirt or pollen is present.

Scrapes & Scratches

Surface scratches and abrasions will fade after weathering. However, scrape and scratch marks can be eliminated by using a wire brush or coarse 60-80 grit sandpaper (Pioneer range products only). Simply brush/sand in the direction of the grain on the product until the mark has gone. The treated area will weather back in approximately 8-10 weeks.

Painting & Staining

EnviroBuild does not guarantee or recommend anything applied to Hyperion products, however it is still possible for Hyperion products to be painted or stained. Wait until the product has completed its weathering process and ensure you have a clean and dry surface prior to applying any paint or stain. Always apply products in accordance with the manufacturer's application instructions.

Spot Stains

Many stains can be cleaned with soap or household de-greasing agent and warm water. Scrub and soak the affected area as soon as the stain occurs to ensure best results, then rinse off with warm water. For more stubborn stains we recommend using a composite specific cleaner for more effective stain removal. Only with very set stains, you may want to use coarse sandpaper (60-80 grit) and sand lightly (Pioneer range products only), always in the direction of the grain of the product (be careful if sanding the flat wood grained side of the Pioneer decking board as this can remove the enhanced wood grain effect).

Cleaned or sanded areas may lighten, which can require 8-10 weeks exposure to the sun to match the remaining product, depending on location and specific application. Due to the wood content, composite products, like any wood-based product, may experience a naturally occurring process called Extractive Bleeding (known as tea staining). This process can cause a temporary discoloration that will fade with time.

Cleaning

With the proper safety precautions Hyperion products can be washed with either soapy water and a soft bristled brush or with a power washer (recommended max. 1500psi pressure). You should ensure to spray in the direction of the grain of the boards and use a fan tip nozzle (min. 6 inches from surface) along with the proper cleaning product.

Q. What colours do your products come in?

A. Hyperion Fencing comes in a variety of colours. We have the natural browns: Oak and Walnut, then the modern greys: Granite, Stone

Q. Will the colour fade over time?

A. Hyperion products will naturally lighten over the first 8-12 weeks and then will stabilize after this period.

Q. Does the Fencing require treating?

A. Hyperion products are already coloured so do not require painting at all. Also, due to the plastic content within Hyperion products there is no need for any further treatment. This also makes it easy to clean.

Q. How do your products react when exposed to water?

A. Hyperion products are designed to take on very little water (c.1%). Our ranges have a much lower absorption rate than timber which heavily reduces the likelihood of wet rot over a longer period of time.

Q. Do you have recommended installers I can use?

A. EnviroBuild has an extensive network of recommended installers who we trust to bring your plans to reality. We have chosen these installers for their high quality of work and professionalism, but as with any third party, we recommend that you follow your own precautions before entering into a contract with them.

Q. Anything else?

A. For any other technical, installation or care questions, go to www.envirobuild.com, call our technical team on 0208 088 4888, or email us at info@envirobuild.com

Q. Can I see Hyperion Fencing samples?

A. Simply go to www.envirobuild.com to order your free samples.



ENVIRO
BUILD

HYPERION

F E N C I N G