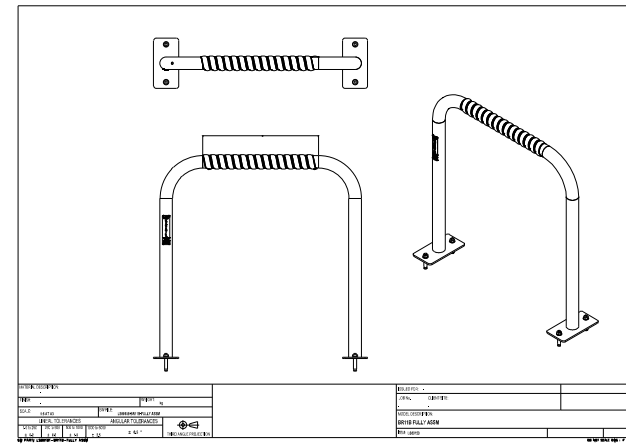


COVER DETAIL FOR CYCLE STORAGE

COVERED CYCLE STORE  
CYCLE STORE TO BE FENCED  
AND LOCK PROVIDED

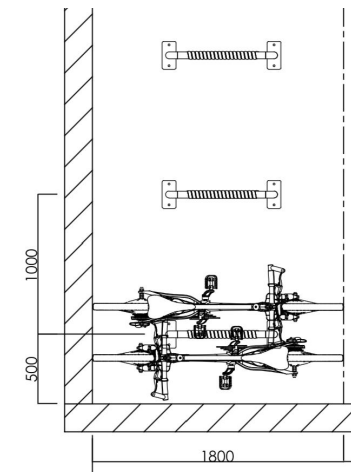
SEE ATTACHED DETAILS FOR  
CYCLE STORE SPECIFICATION



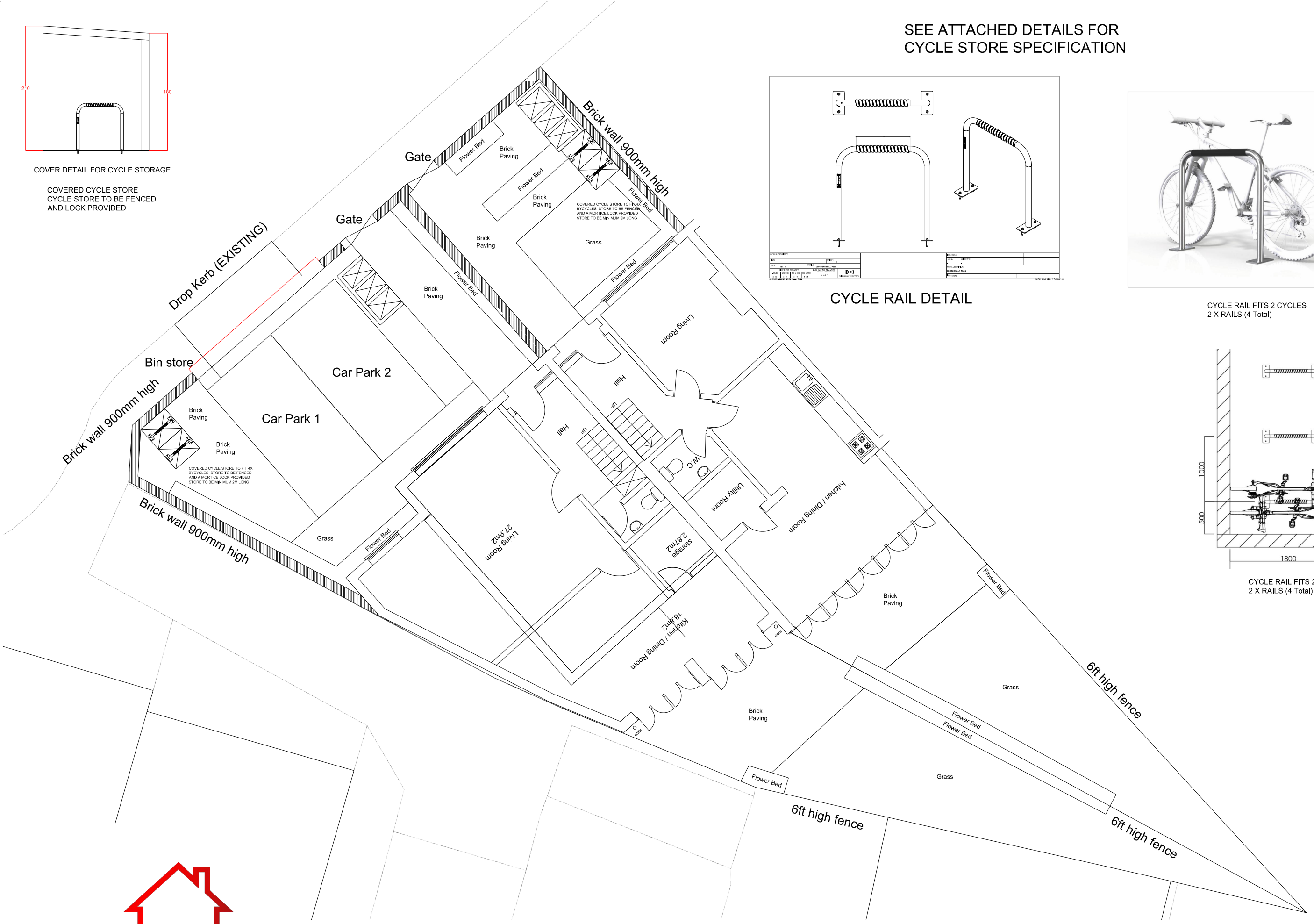
CYCLE RAIL DETAIL



CYCLE RAIL FITS 2 CYCLES  
2 X RAILS (4 Total)

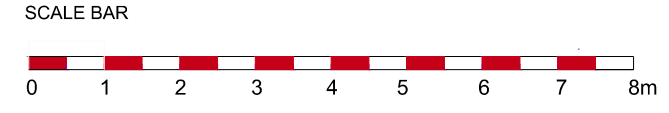


CYCLE RAIL FITS 2 CYCLES  
2 X RAILS (4 Total)



TMG CONSULTANCIES LTD  
ADDRESS: 9 Hazlewood Close, Hackney,  
London, E5 0SW  
INFO@TMGCONSULTANCIES.CO.UK  
TEL : 07716178378

PROJECT: 11 Tasmania Terrace, Enfield, N18 1AX		DATE ISSUED: 15/02/2024	
DWG TITLE : Condition 9 (Cycle Storage)			
STAGE : PL	DRAWN BY : T.G	REFERENCE NO : 202001233	SCALE : A3 1:100
			CODE: CON9
			A



THIS DRAWING IS COPYRIGHT OF TMG GROUP INC LTD

NOTES: THE CONTRACTORS ARE TO CHECK ALL DIMENSIONS,  
DRAIN RUNS AND GENERAL CONDITIONS ON SITE BEFORE  
WORKS COMMENCE, AND INFORM TMG GROUP INC LTD TRADING AS TMG  
CONSULTANCIES IMMEDIATELY UPON DISCOVERY OF ANY ERRORS, OMISSIONS  
OR DISCREPANCIES. ALL WORKS ARE TO BE CARRIED OUT IN ACCORDANCE  
WITH CURRENT BUILDING REGULATIONS, BRITISH STANDARDS, CODE OF  
PRACTICE AND LOCAL AUTHORITY REQUIREMENTS.

WWW.TMGCONSULTANCIES.COM