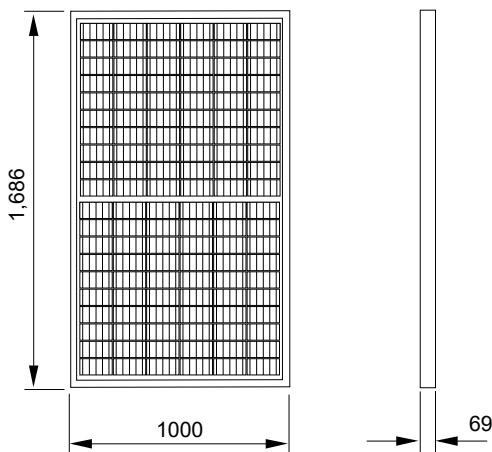
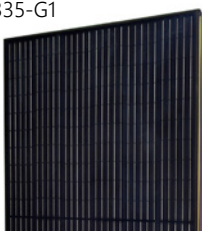


PV16-335-G1

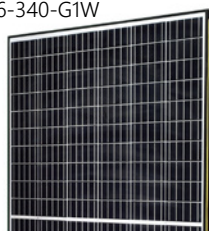
- Simple roof integration with clean, low-profile aesthetic for new build and retrofit
- Rapid installation times of less than 45 min/kWp easily achieved
- Compatible with the widest range of slate and tile including special fixings for different batten thickness
- Fitted during the normal roofing programme, enabling clarity of responsibility and safe working practices
- Achieves highest fire rating and wind resistance without modifications to the roof



PV16-335-G1



PV16-340-G1W



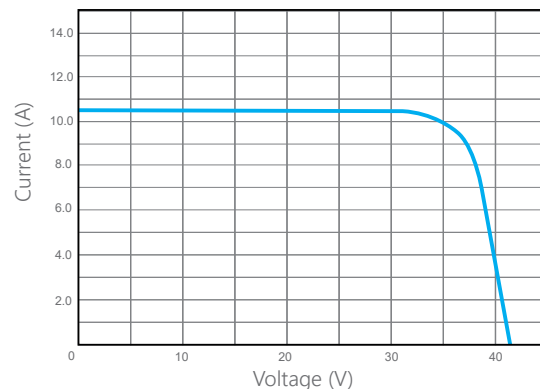
Mechanical Specification

Model	PV16-xxx-G1	
Aperture Area	m ²	1.622
Width	mm	1,000
Length	mm	1,686
Thickness	mm	69
Weight	kg	21.7
Static roof loading (distributed)	kg / m ²	12.9
Characteristic Wind Resistance	kPa	5.32
Ultimate Design Load ¹	kPa	5.32
Positive Design Load	IEC 61215	5.40
Roofing System Fire Rating	EN 13501-5	B _{ROOF} (T1, T2, T3, T4)
Power Warranty	% rated	90%10 years, 80% 25 years
Product Warranty		10 years
Standards		IEC61215, 61730, TUV, MCS05, MCS12
Design Life (as Roof Covering)		60 years

Electrical Specification

Model	Clearline fusion PV16-XXX-G1	
Peak Power ²	Wp	335 340
Module Efficiency ³	%	20.7 21.0
Number of Cells		60x2 60x2
Maximum Power Voltage (V _{mpp})	V	34.7 35.0
Maximum Power Current (I _{mpp})	A	9.7 9.7
Open Circuit Voltage (V _{oc})	V	42.0 42.4
Short Circuit Current (I _{sc})	A	10.3 10.4
NOCT ⁴	°C	44.0
Cell Type		Monocrystalline Silicon
Power Temperature Coefficient	% / °C	-0.38
Current Temperature Coefficient	% / °C	0.05
Voltage Temperature Coefficient	% / °C	-0.30
Maximum System Voltage	VDC	1,000
Maximum Fuse Rating	A	20
Safety Classification		Class 2
Electrical Connectors		Genuine Stäubli MC4 PV-KST4, PV-KBT4

I-V Curve



¹ Design resistance to ultimate loads includes a partial material safety factor of 1.0

² Subject to a manufacturing tolerance of +/- 3%.

³ Based on aperture area.

⁴ Nominal Operating Cell Temperature

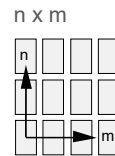
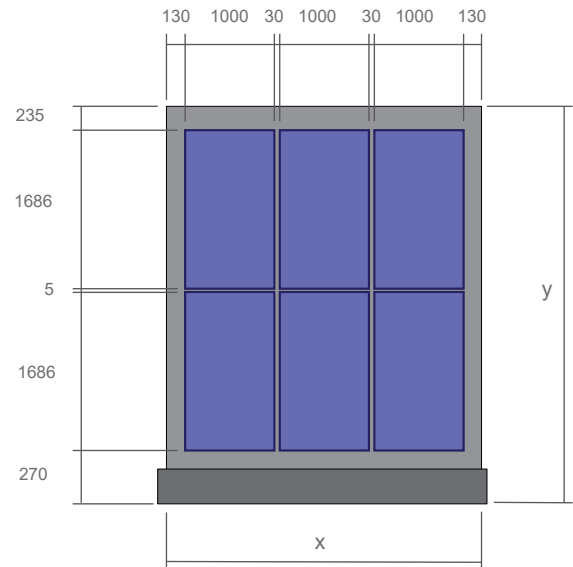
Electrical specification measured under standard test conditions: Irradiation 1 kW/m² with light spectrum AM 1.5 and a cell temperature of 25°C.

G1 Solar Photovoltaic Panels

Pitched Roof Integration

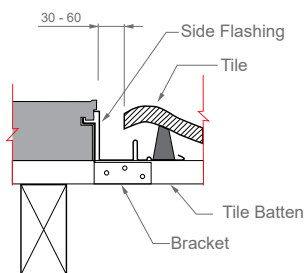
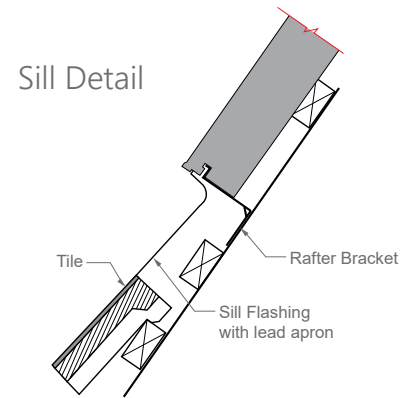
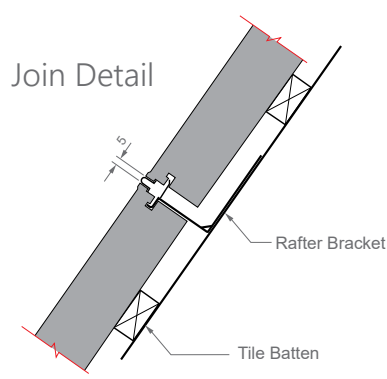
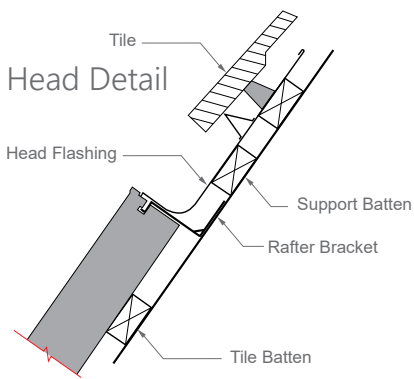
Sleek, low-profile integrated solar that replaces the roof covering for an improved aesthetic and for simple roof maintenance, now at similar cost to above-roof panels. Simple, beautiful, durable.

Solar never looked so good.

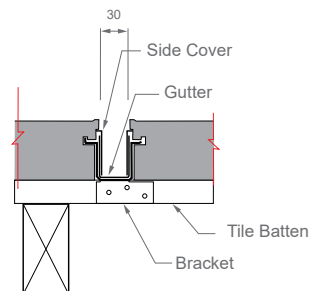


$$x = (m \times 1030) + 230$$

$$y = (n \times 1691) + 500$$



Side Detail



Gutter Detail
(joined flashings)