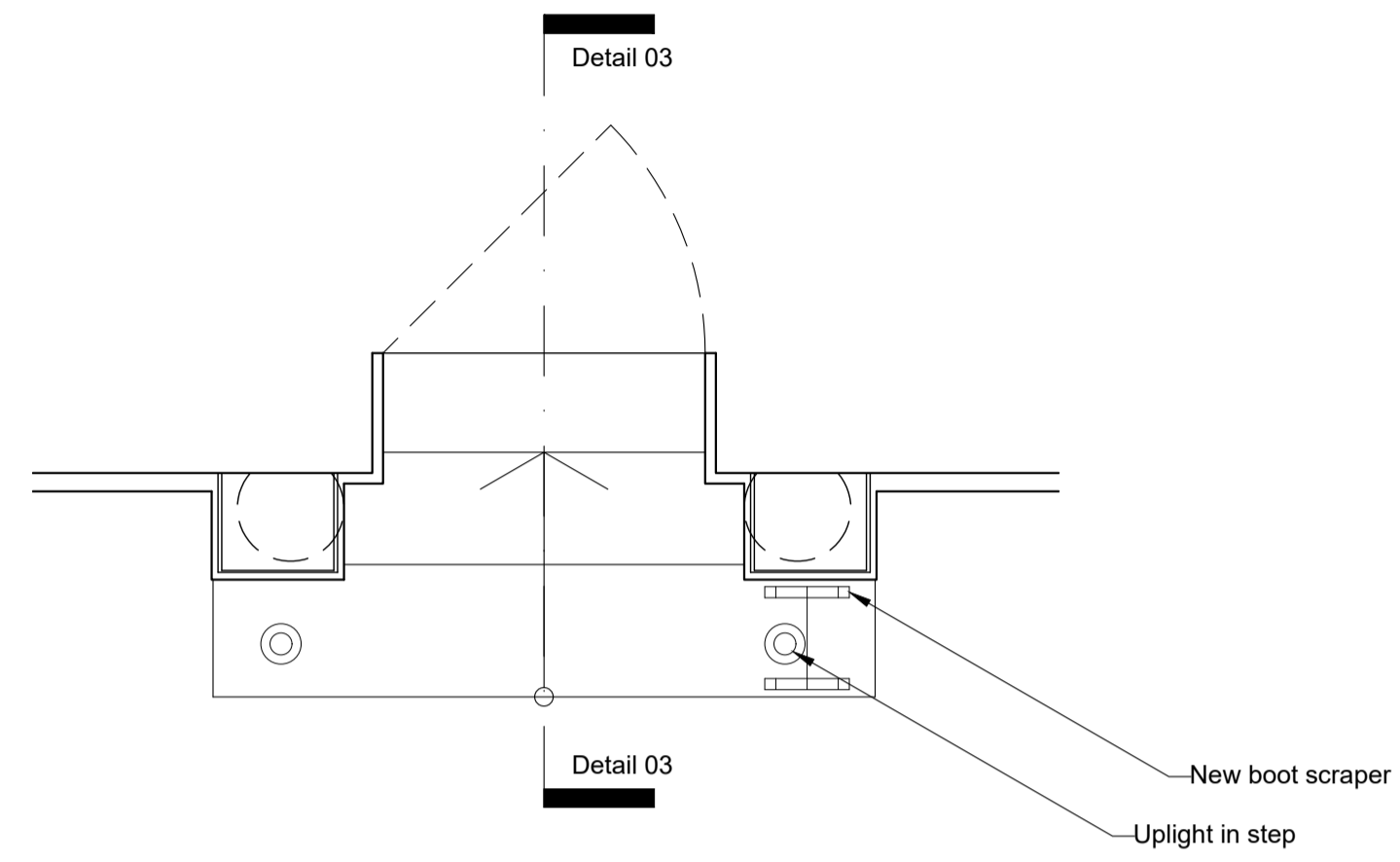


Proposed Details



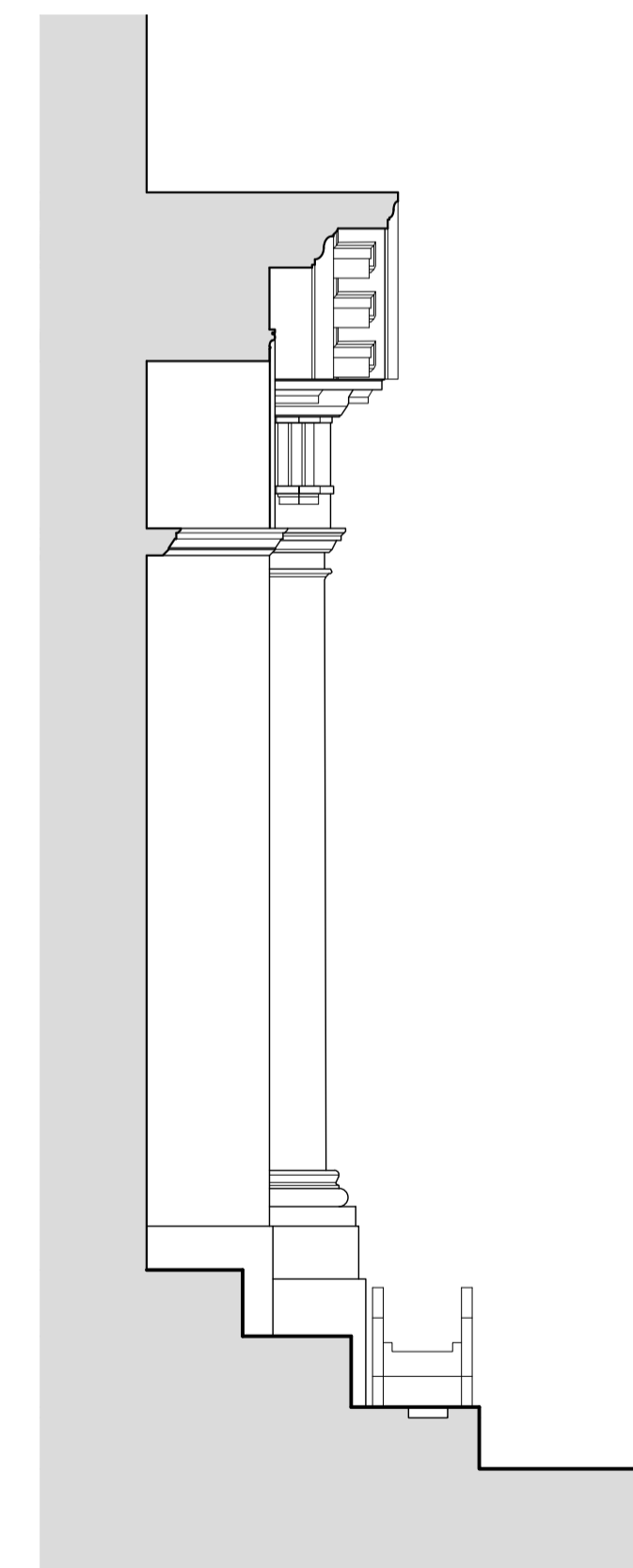
Detail 01 (Plan)
Scale 1:20



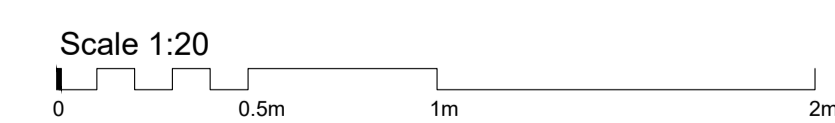
North-West Elevation - facing Gillygate
Scale 1:100



Detail 02 (Elevation)
Scale 1:20



Detail 03 (Section)
Scale 1:20



General Notes

- Do not scale from this drawing.
- All dimensions to be checked on site by the Contractor and such dimensions are their responsibility.
- Report all drawing errors and omissions to the Architect.