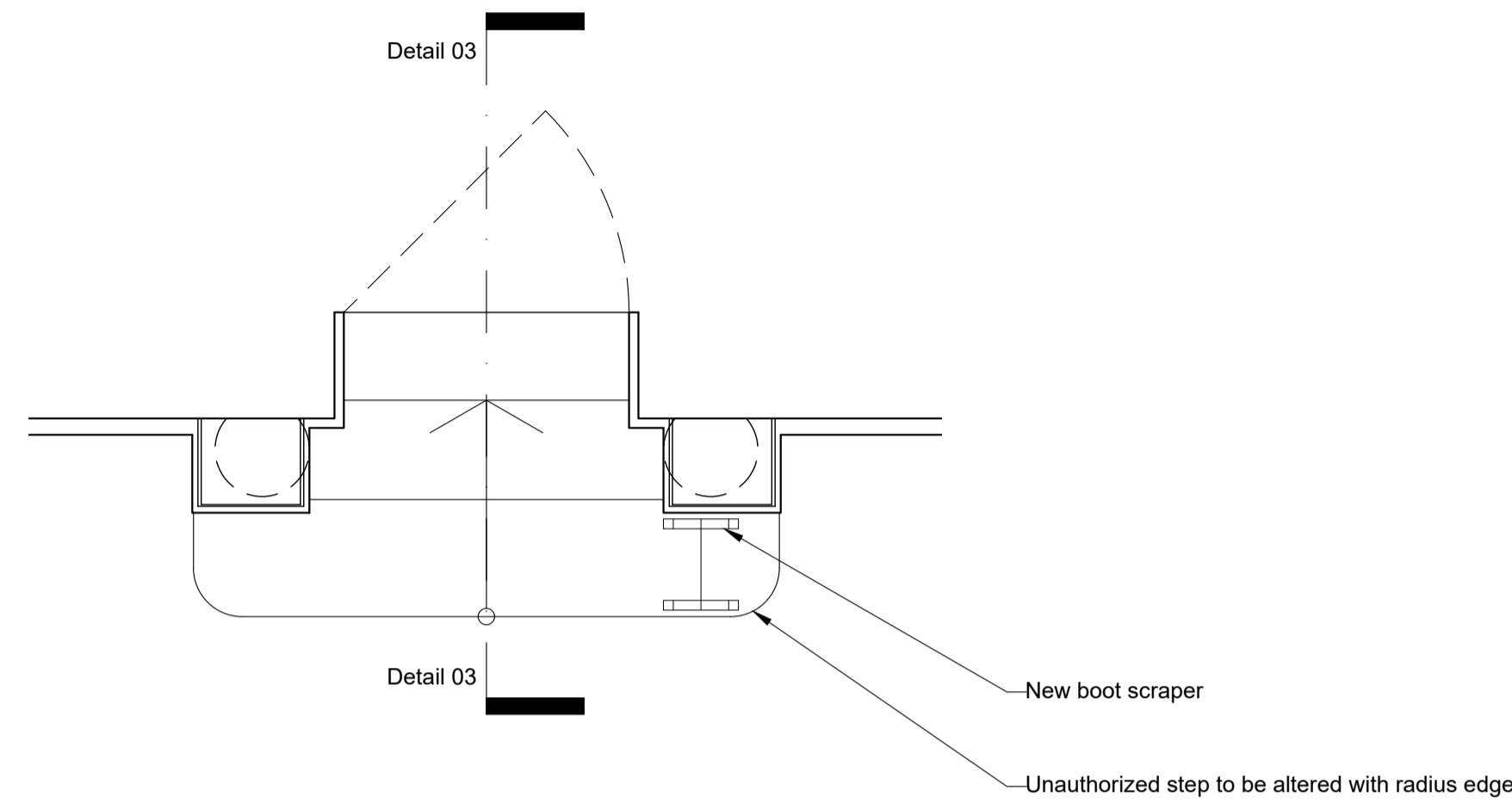


Rev.	Description	By	Date
P1	Planning issue	SS	04/04/23
P2	Planning issue updated	GM	04/05/23
P3	Stone edge radius to match existing	GM	12/12/23
P4	References to first step removed	GM	09/01/24
P5	Revised for Planning Issue	GM	28/02/24

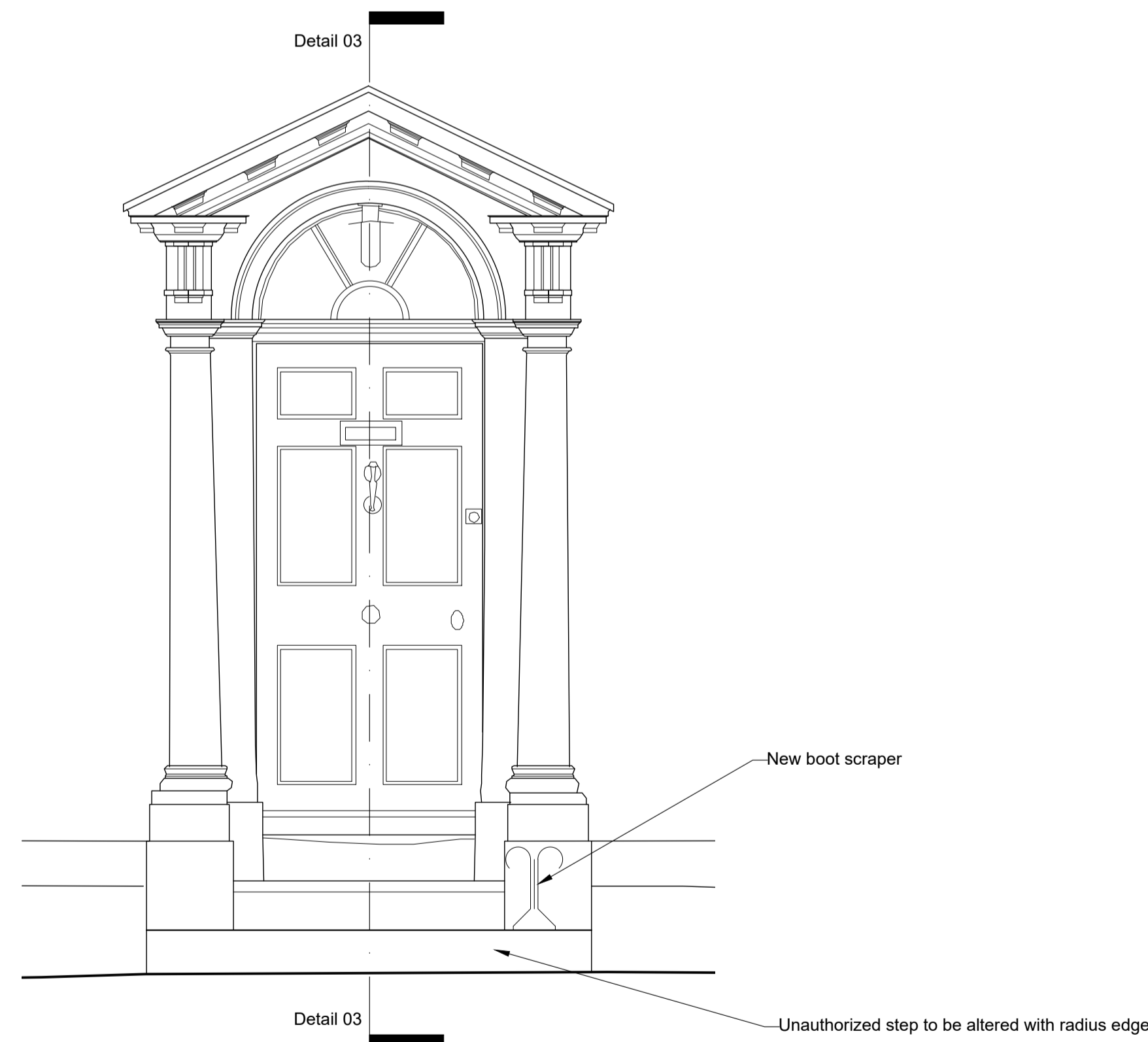
**Proposed Details**



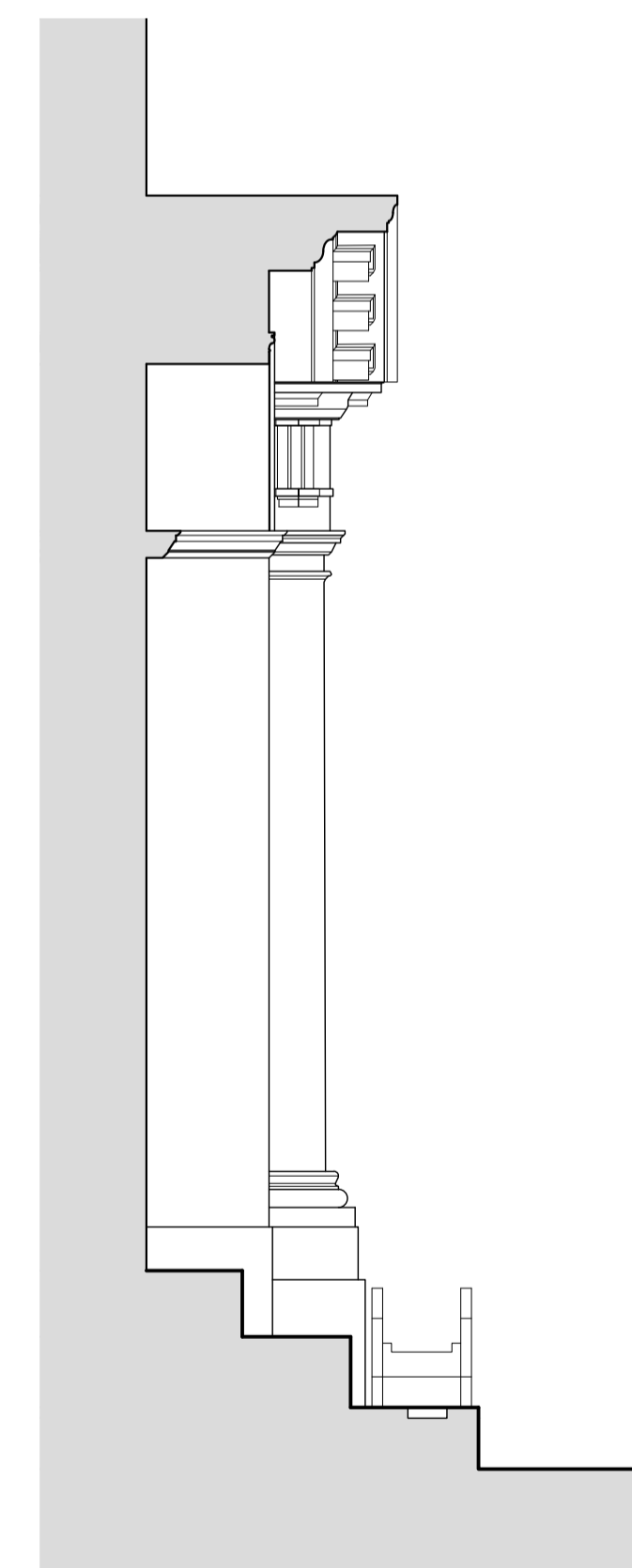
**Detail 01 (Plan)**  
Scale 1:20



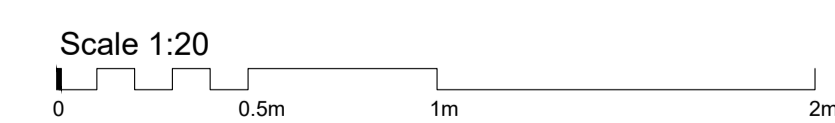
**North-West Elevation - facing Gillygate**  
Scale 1:100



**Detail 02 (Elevation)**  
Scale 1:20



**Detail 03 (Section)**  
Scale 1:20



**General Notes**

- Do not scale from this drawing.
- All dimensions to be checked on site by the Contractor and such dimensions are their responsibility.
- Report all drawing errors and omissions to the Architect.