

Client
Brendan Hopkins

Project Location
28 Gillygate, York

Drawing Title
Proposed Door Details

Scale at A1
1:20, 1:100

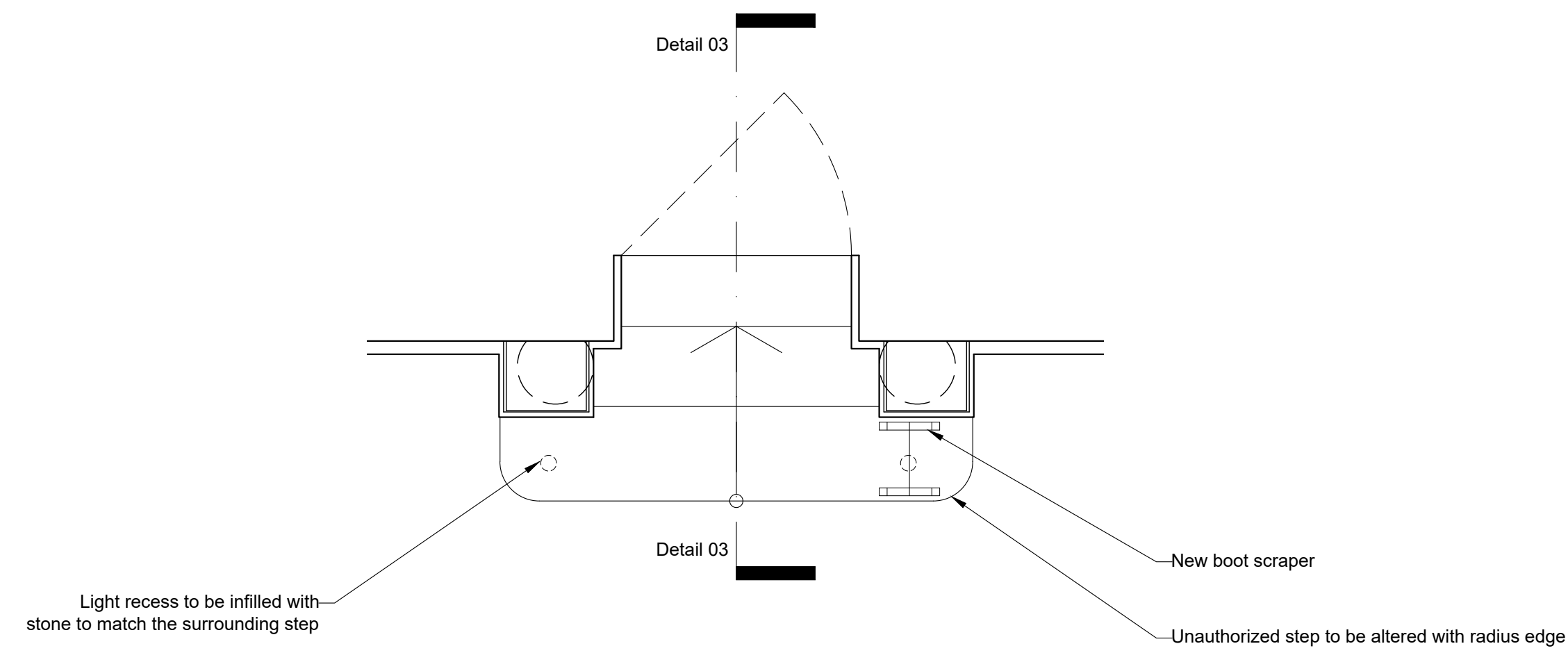
First Issue Date	Author	Checker
04/04/2023	SS	GM

Drawing Name						
Project	Origin	Zone	Level	Type	Role	No.
A407	MAS	XX	ZZ	DR	A	102

Status	Suitability
S4	For information

Rev.	Description	By	Date
P1	Planning issue	SS	04/04/23
P2	Planning issue updated	GM	04/05/23
P3	Stone edge radius to match existing	GM	12/12/23
P4	References to first step removed	GM	09/01/24
P5	Revised for Planning Issue	GM	28/02/24

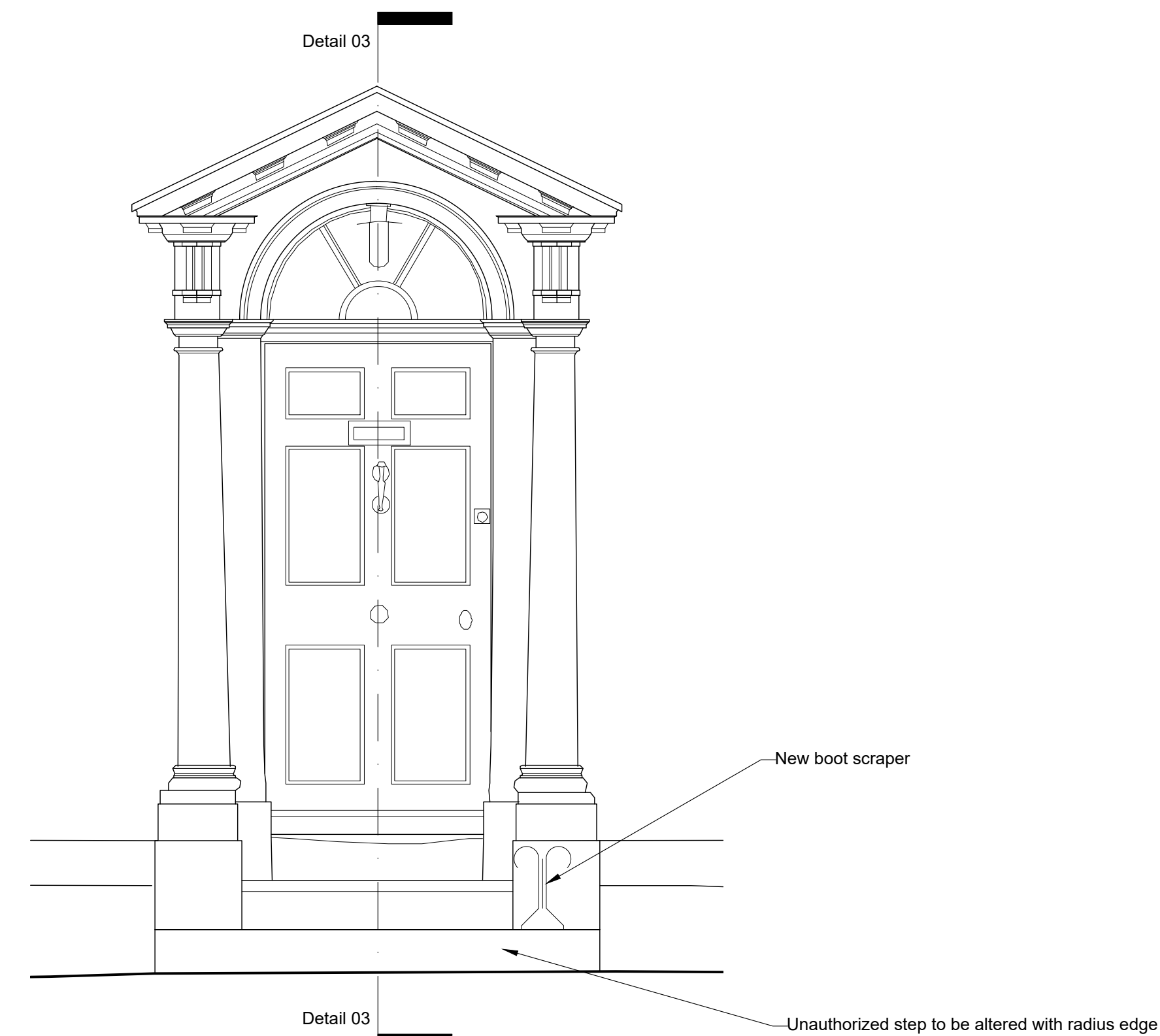
Proposed Details



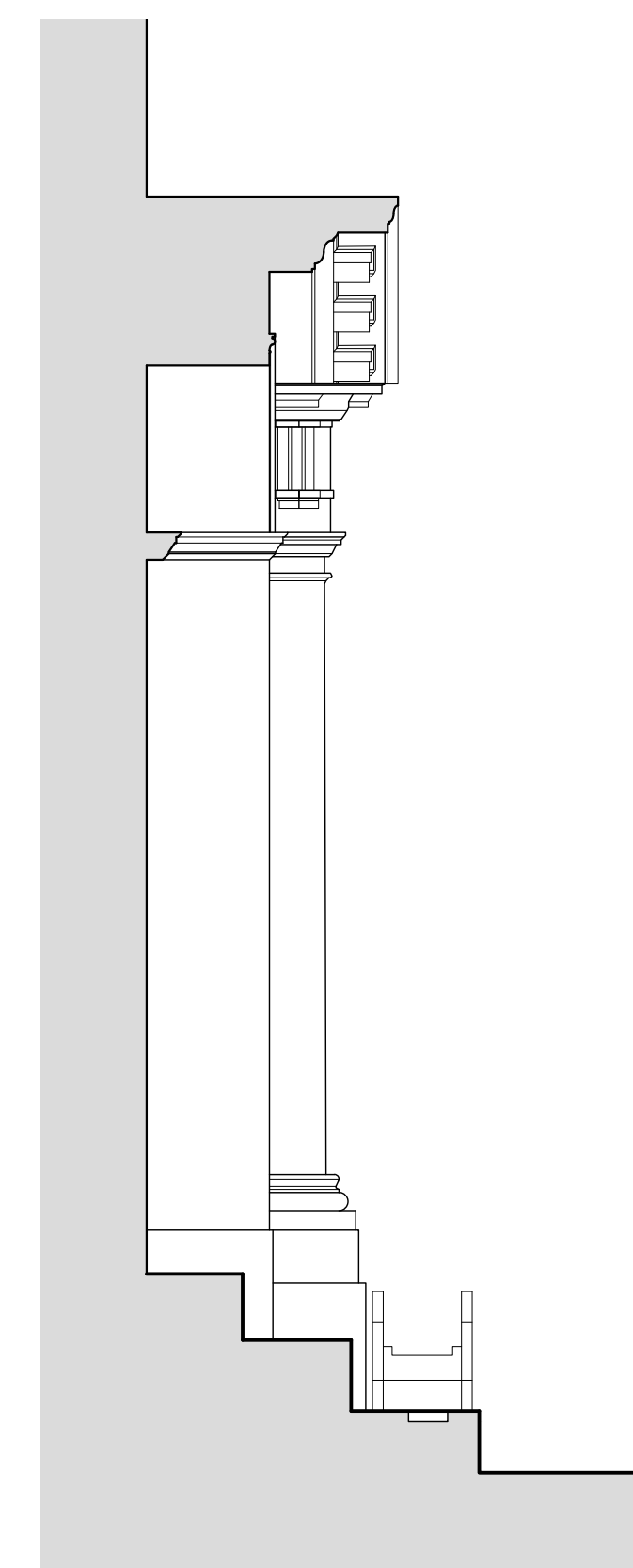
Detail 01 (Plan)
Scale 1:20



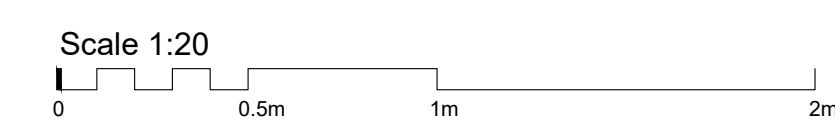
North-West Elevation - facing Gillygate
Scale 1:100



Detail 02 (Elevation)
Scale 1:20



Detail 03 (Section)
Scale 1:20



General Notes

- Do not scale from this drawing.
- All dimensions to be checked on site by the Contractor and such dimensions are their responsibility.
- Report all drawing errors and omissions to the Architect.