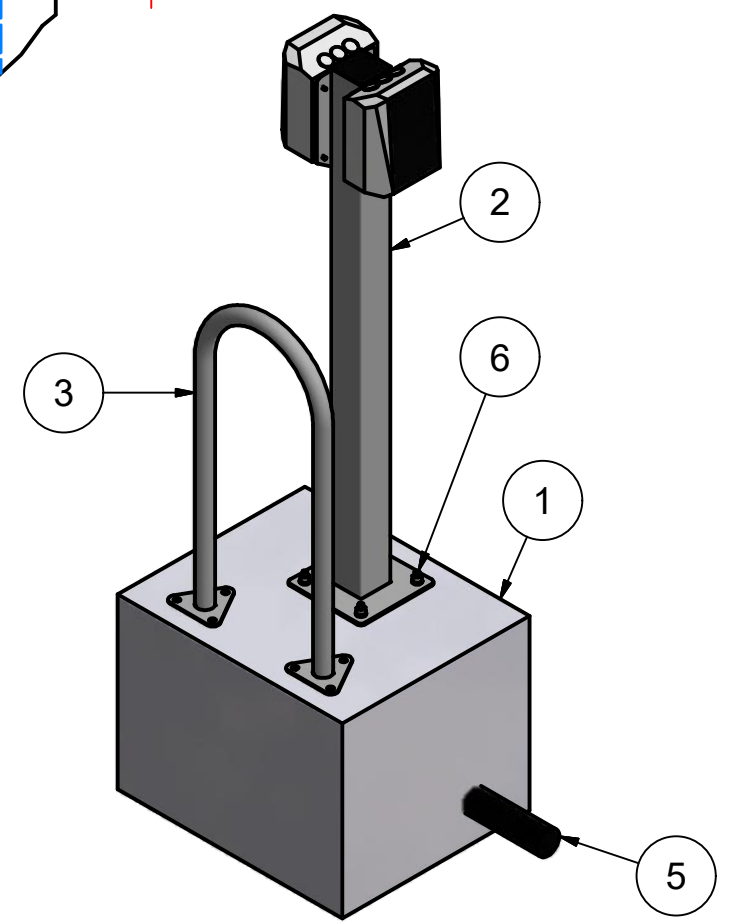
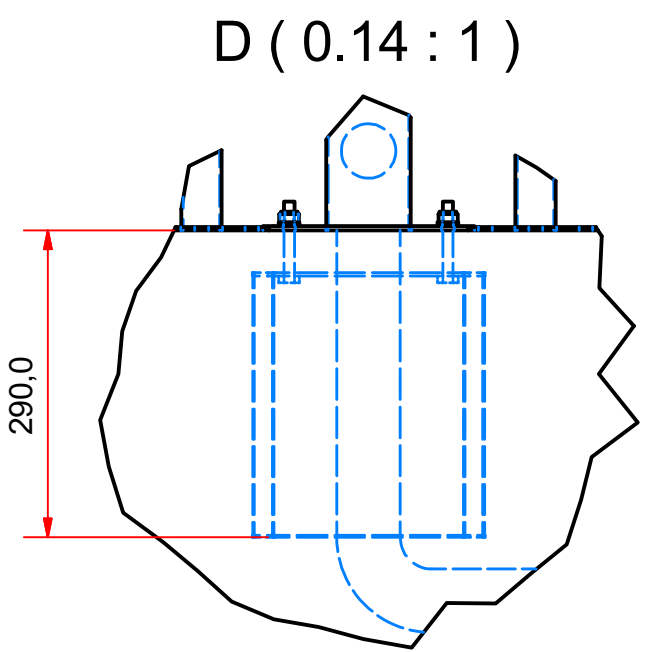
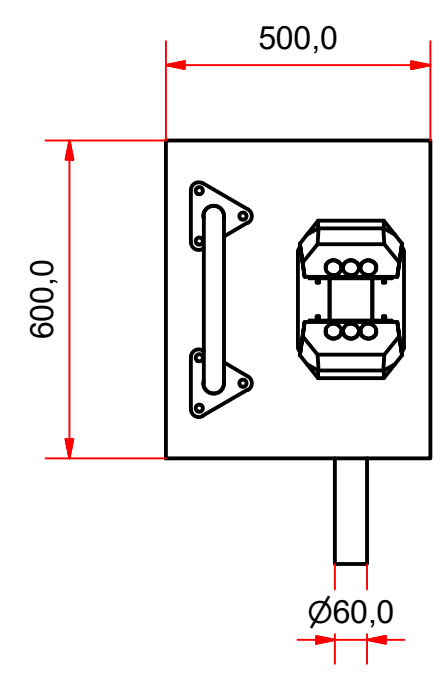
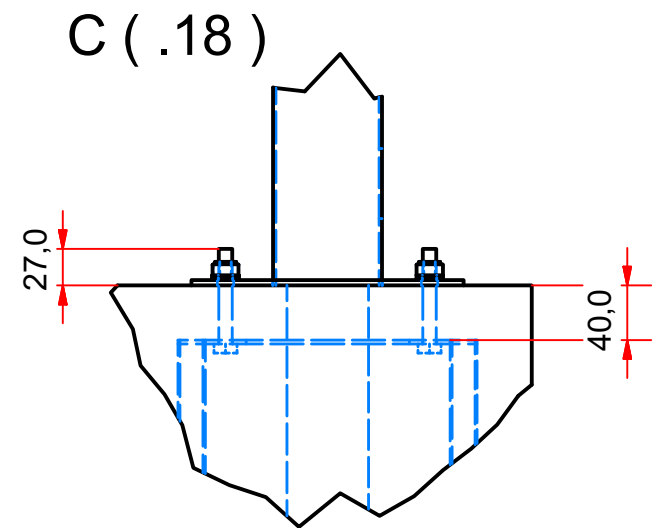
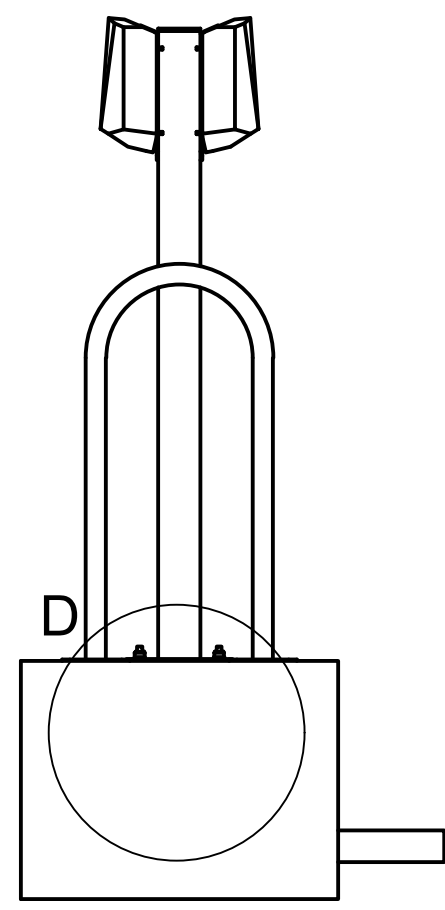
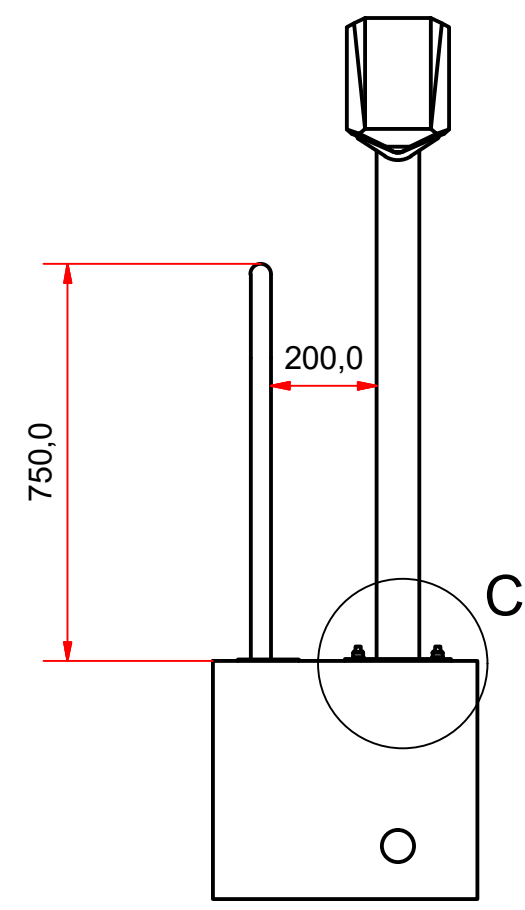


Parts List

ITEM	QTY	PART NUMBER
1	1	Concrete Plinth 600 x 500mm
2	1	EPM-5D Simple Dual Easee Post APA
3	1	EPP-T Hooped Barrier assy
5	1	60Dia Duct Tube
6	1	EPM-5L Secure Grnd Anchor APA



Designed by Conor	Checked by	Approved by - date	Date
e.park		<b>EPM-5D</b>	
		EPM-5D Complete Plinth Set-Up	Edition 1 / 1 Sheet 1 / 1