

Daikin Altherma low temperature monobloc Technical data book

**EBLA09-16D(3)W1 /
EBLA09-16D(3)V3 /
EDLA09-16D(3)W1 /
EDLA09-16D(3)V3**

EBLA09DAW1
EBLA11DAW1
EBLA14DAW1
EBLA16DAW1
EBLA09DAV3
EBLA11DAV3
EBLA14DAV3
EBLA16DAV3
EBLA09DA3W1
EBLA11DA3W1
EBLA14DA3W1
EBLA16DA3W1
EBLA09DA3V3
EBLA11DA3V3
EBLA14DA3V3
EBLA16DA3V3
EDLA09DAW1
EDLA11DAW1
EDLA14DAW1
EDLA16DAW1
EDLA09DAV3
EDLA11DAV3
EDLA14DAV3
EDLA16DAV3
EDLA09DA3W1
EDLA11DA3W1
EDLA14DA3W1
EDLA16DA3W1
EDLA09DA3V3
EDLA11DA3V3
EDLA14DA3V3
EDLA16DA3V3



Table of contents

EBLA09-16DW1 / EBLA09-16DV3 /
EBLA09-16D3W1 / EBLA09-16D3V3 /
EDLA09-16DW1 / EDLA09-16DV3 /
EDLA09-16D3W1 / EDLA09-16D3V3

1	Features	5
	EBLA09-16DW1, EBLA09-16DV3	5
	EDLA09-16DW1, EDLA09-16DV3	6
	EBLA09-16D3W1, EBLA09-16D3V3	7
	EDLA09-16D3W1, EDLA09-16D3V3	8
2	Specifications	9
3	Electrical data	52
4	Combination table	53
5	Capacity graphs	54
	Cooling Capacity Graphs	54
	Heating Capacity Graphs	55
6	Capacity tables	56
	Certification Programs	56
7	Dimensional drawings	57
8	Centre of gravity	58
9	Piping diagrams	59
10	Wiring diagrams	61
	Notes & Legend	61
	Control Circuit	62
	Compressor - Notes & Legend	63
	Compressor - Single phase	64
	Compressor - Three phase	65
	Hydro Module - Notes & Legend	66
	Hydro Module - Power Supply, Back-up Heater	67
	Hydro Module - Control Circuit	68
	External back-up heater - Option Circuit	69
11	External connection diagrams	70

12	Installation	71
	Installation Method	71
13	Operation range	72
14	Hydraulic performance	74
	Static Pressure Drop Unit	74

1 Features

1 - 1 EBLA09-16DW1, EBLA09-16DV3

Reversible air to water monobloc system, ideal when indoor space is limited

- › Monobloc all-in-one concept including hydraulic parts
- › W-LAN cartridge connection (optional)
- › Possible to combine with domestic hot water
- › Separate back-up heater kit
- › Energy efficient heating and cooling system based on air to water heat pump technology

1



Daikin
Residential
Controller



Online
controller

1 Features

1 - 2 EDLA09-16DW1, EDLA09-16DV3

Heating only air to water monobloc system, ideal when indoor space is limited

- 1 > Monobloc all-in-one concept including hydraulic parts
- > W-LAN cartridge connection (optional)
- > Possible to combine with domestic hot water

- > Separate back-up heater kit
- > Energy efficient heating only system based on air to water heat pump technology



Daikin
Residential
Controller



Online
controller

1 Features

1 - 3 EBLA09-16D3W1, EBLA09-16D3V3

Reversible air to water monobloc system, ideal when indoor space is limited

- › Monobloc all-in-one concept including hydraulic parts
- › W-LAN cartridge connection (optional)
- › Possible to combine with domestic hot water
- › Built-in electric back-up heater as additional heating during extremely cold outdoor temperature
- › Energy efficient heating and cooling system based on air to water heat pump technology

1



Daikin
Residential
Controller



Online
controller

1 Features

1 - 4 EDLA09-16D3W1, EDLA09-16D3V3

Heating only air to water monobloc system, ideal when indoor space is limited

- 1 > Monobloc all-in-one concept including hydraulic parts
- > W-LAN cartridge connection (optional)
- > Possible to combine with domestic hot water

- > Built-in electric back-up heater as additional heating during extremely cold outdoor temperature
- > Energy efficient heating only system based on air to water heat pump technology



Daikin
Residential
Controller



Online
controller

2 Specifications

1 - 4 EDLA09-16D3W1, EDLA09-16D3V3

Technical specifications				EBLA09DW1	EBLA11DW1	EBLA14DW1	EBLA16DW1	
Heating capacity	Nom.		kW	9.37 (1) / 9.00 (2)	10.6 (1) / 9.82 (2)	12.0 (1) / 12.5 (2)	16.0 (1) / 16.0 (2)	
Cooling capacity	Nom.		kW	9.35 (3) / 9.10 (4)	11.6 (3) / 11.5 (4)	12.8 (3) / 12.7 (4)	14.0 (3) / 15.3 (4)	
Power input	Cooling	Nom.	kW	2.79 (3) / 1.71 (4)	3.56 (3) / 2.17 (4)	4.06 (3) / 2.51 (4)	4.58 (3) / 3.24 (4)	
	Heating	Nom.	kW	1.91 (1) / 2.43 (2)	2.18 (1) / 2.68 (2)	2.46 (1) / 3.42 (2)	3.53 (1) / 4.56 (2)	
COP				4.91 (1) / 3.71 (2)	4.83 (1) / 3.66 (2)	4.87 (1) / 3.64 (2)	4.53 (1) / 3.51 (2)	
EER				3.35 (3) / 5.34 (4)	3.26 (3) / 5.31 (4)	3.16 (3) / 5.04 (4)	3.06 (3) / 4.74 (4)	
SEER				5.62 (5)	5.79 (5)	5.71 (5)	5.59 (5)	
Casing	Colour			Silver				
	Material			Polyester painted galvanised steel plate				
Dimensions	Unit	Height	mm	870				
		Width	mm	1,380				
		Depth	mm	460				
	Packed unit	Height	mm	1,053				
		Width	mm	1,500				
		Depth	mm	650				
Weight	Unit		kg	147				
	Packed unit		kg	164				
Packing	Material			PE wrapping foil / Carton / Wood (pallet)				
	Weight		kg	17				
Heat exchanger	Length		mm	1,136 / 1,166 / 1,195				
	Rows	Quantity		3				
	Fin pitch		mm	1.4				
	Passes	Quantity		13				
	Face area		m ²	0.950 / 0.970 / 1.00				
	Stages	Quantity		38				
	Empty tubeplate hole	Quantity		2				
	Tube type			7.0 Hi-XD				
	Fin	Type			WF fin			
		Treatment			Anti-corrosion treatment			
	Fan	Type			Propeller fan			
Quantity				1				
Discharge direction				Horizontal				
Air flow rate		Heating	High	m ³ /min	48.0	55.8	70.4	85.0
	Cooling	High	m ³ /min	63.1	70.4		85.0	
Fan motor	Quantity			1				
	Model			Brushless DC motor				
Fan motor	Speed	Steps		8				
		Heating	Nom.	rpm	400	450	550	650
		Cooling	Nom.	rpm	500	550		650
	Output		W	234				
	Drive			Direct drive				
Compressor	Quantity			1				
	Model			2Y350BPAY1P#C				
	Type			Hermetically sealed swing compressor				
PED	Category			Category II				
	Most critical part	Name		Accumulator				
		Ps*V	Bar*I	159				
Operation range	Heating	Ambient	Min.	°CDB				-25
			Max.	°CDB				25 (6)
		Water side	Min.	°C				9 (6)
			Max.	°C				60 (6)
	Cooling	Ambient	Min.	°CDB				10
			Max.	°CDB				43
		Water side	Min.	°C				5
			Max.	°C				22
	Domestic hot water	Ambient	Min.	°CDB				-25
			Max.	°CDB				35
		Water side	Min.	°C				25
			Max.	°C				55 (6)
Refrigerant	Type			R-32				
	GWP			675.0				
	Charge		kg	3.80				
	Charge		TCO2Eq	2.57				
	Control			Expansion valve				
	Circuits	Quantity			1			
Refrigerant oil	Type			FW68DA				
	Charged volume		l	1.35				
Defrost method				Reversed cycle				
Defrost control				Sensor for outdoor heat exchanger temperature				
Capacity control	Method			Inverter controlled				

2 Specifications

1 - 4 EDLA09-16D3W1, EDLA09-16D3V3

2

Technical specifications				EBLA09DW1	EBLA11DW1	EBLA14DW1	EBLA16DW1	
Safety devices	Item	01		High pressure switch				
		02		Low pressure switch				
		03		Fan driver overload protector				
Safety devices	Item	04		Fuse				
		05		Compressor motor thermal protector				
Pump	Quantity			1				
	Nr of speeds			PWM				
	Nominal ESP unit	Heating	kPa	106.5	102.9	97.6	76.7	
	ESP unit	Cooling	kPa	106.6	99.2	94.1	88.4	
	Power input		W	180				
Water side Heat exchanger	Type			Plate heat exchanger				
	Quantity			1				
	Water volume		l	2.16				
	Water flow rate	Heating	Nom.	l/min	26.9 (1) / 25.8 (2)	30.3 (1) / 28.2 (2)	34.4 (1) / 35.7 (2)	45.9 (1) / 45.9 (2)
			Cooling	Nom.	l/min	26.8 (3) / 26.1 (4)	33.2 (3) / 33.0 (4)	36.8 (3) / 36.3 (4)
	Insulation material			EPDM type				
	Heater		W	50.0				
	Expansion vessel	Volume		l	8			
Max. water pressure			bar	4				
Pre pressure			bar	1				
Heater			W	65				
Water filter	Diameter perforations		mm	0.8				
	Material			Stainless steel				
Water circuit	Piping connections diameter		inch	G 1" (male)				
	Piping		inch	1-1/4"				
	Piping length	Max.	OU - Tank	m	10			
			Level difference	m	5			
	Safety valve		bar	3				
	Drain valve / fill valve			Yes				
	Shut off valve			Yes				
	Air purge valve			Yes (Manually)				
	Minimum water volume in the system		l	50 (7)				
	Heater		W	66.0				
General	Supplier/Manufacturer details	Name and address		Daikin Europe N.V. - Zandvoordestraat 300, 8400 Oostende, Belgium				
		Name or trademark		Daikin Europe N.V.				
	Product description	Air-to-water heat pump			Yes			
		Brine-to-water heat pump			No			
		Heat pump combination heater			No			
		Low-temperature heat pump			No			
Supplementary heater integrated			No					
General	Product description	Water-to-water heat pump		No				
LW(A) Sound power level (according to EN14825)			dB(A)	62.0				
Sound condition Ecodesign and energy label				Sound power in heating mode, measured according to the EN12102 under conditions of the EN14825				
Space heating general	Air to water unit	Rated airflow (outdoor)	m ³ /h	2,880	3,350	4,220	5,100	
		Other	Capacity control		Inverter			
		Pck (Crankcase heater mode)	kW	0.000				
		Poff (Off mode)	kW	0.023				
		Psb (Standby mode)	kW	0.023				
		Pto (Thermostat off)	kW	0.023				

2 Specifications

1 - 4 EDLA09-16D3W1, EDLA09-16D3V3

Technical specifications			EBLA09DW1	EBLA11DW1	EBLA14DW1	EBLA16DW1		
Space heating Average climate water outlet 55°C	General	Annual energy consumption kWh	5,404	6,134	6,651	7,359		
		η_s (Seasonal space heating efficiency) %	135	132	134	132		
		Prated at -10°C kW	9.0	10.0	11.0	12.0		
		Qhe Annual energy consumption (GCV) GJ	19	22	24	26		
		SCOP	3.44	3.37	3.42	3.37		
		Seasonal space heating eff. class	A++					
		A Condition (-7°CDB/-8°CWB)	Cdh (Degradation heating)	1.0				
			COPd	2.09	1.90	2.02	1.95	
			Pdh kW	8.5	9.3	9.4		
			PERd %	83.6	76.0	80.8	78.0	
		B Condition (2°CDB/1°CWB)	Cdh (Degradation heating)	1.0				
			COPd	3.28	3.25	3.28	3.27	
			Pdh kW	5.0	5.4	6.2	6.9	
			PERd %	131.2	130.0	131.2	130.8	
		C Condition (7°CDB/6°CWB)	Cdh (Degradation heating)	1.0				
			COPd	4.80	4.81	4.88	4.93	
			Pdh kW	4.4				
			PERd %	192.0	192.4	195.2	197.2	
		D Condition (12°CDB/11°CWB)	Cdh (Degradation heating)	1.0				
			COPd	6.45	6.41	6.58	6.60	
			Pdh kW	5.3				
			PERd %	258.0	256.4	263.2	264.0	
		Tol (temperature operating limit)	COPd	1.70	1.64	1.70	1.67	
			Pdh kW	6.8	7.6	7.8	8.0	
			PERd %	68.0	65.6	68.0	66.8	
			TOL °C	-10				
			WTOL °C	55				
Rated heat output	Psup (at Tdesign -10°C) kW	2.2	2.4	3.2	4.1			

2 Specifications

1 - 4 EDLA09-16D3W1, EDLA09-16D3V3

2

Technical specifications				EBLA09DW1	EBLA11DW1	EBLA14DW1	EBLA16DW1
Space heating	Average climate water outlet 55°C	Tbiv (bivalent temperature)	COPd	1.92	1.90	2.09	2.13
			Pdh kW	8.8	9.3	9.4	10.1
			PERd %	76.8	76.0	83.6	85.2
			Tbiv °C	-8	-7	-6	-5
	Cold climate water outlet 55°C	General	Annual energy consumption kWh	7,092	7,848	8,808	9,510
			ηs (Seasonal space heating efficiency) %	122	123	120	121
			Prated at -22°C kW	9.0	10.0	11.0	12.0
			Qhe Annual energy consumption (GCV) GJ	26	28	32	34
	Warm climate water outlet 55°C	General	Annual energy consumption kWh	2,820	3,083	3,690	
			ηs (Seasonal space heating efficiency) %	168	170	172	
			Prated at 2°C kW	9.0	10.0	12.1	
			Qhe Annual energy consumption (GCV) GJ	10	11	13	
	B Condition (2°CDB/1°CWB)	Cdh (Degradation heating)	1.0				
			COPd	2.12	2.18	2.17	
			Pdh kW	9.0	9.8		
			PERd %	84.8	87.2	86.8	
	C Condition (7°CDB/6°CWB)	Cdh (Degradation heating)	1.0				
			COPd	3.65	3.74	3.83	
			Pdh kW	6.2		7.6	
			PERd %	146.0	149.6	153.2	
	D Condition (12°CDB/11°CWB)	Cdh (Degradation heating)	1.0				
			COPd	5.68		5.69	
			Pdh kW	5.0			
			PERd %	227.2		227.6	
	Tbiv (bivalent temperature)	COPd	2.12	2.18	2.40		
			Pdh kW	9.0	9.8	11.0	
			PERd %	84.8	87.2	96.0	
Tbiv °C			2		3		
Average climate water outlet 35°C	General	Annual energy consumption kWh	3,854	4,371	4,838	5,281	
		ηs (Seasonal space heating efficiency) %	190	186	185		
		Prated at -10°C kW	9.0	10.0	11.0	12.0	
		Qhe Annual energy consumption (GCV) GJ	14	16	17	19	
		SCOP	4.82	4.73	4.70	4.69	
		Seasonal space heating eff. class	A+++				
	A Condition (-7°CDB/-8°CWB)	COPd	3.07	3.03	2.95	2.87	
	Pdh kW	8.5	9.2	10.1	11.2		
	PERd %	122.8	121.2	118.0	114.8		

2 Specifications

1 - 4 EDLA09-16D3W1, EDLA09-16D3V3

Technical specifications			EBLA09DW1	EBLA11DW1	EBLA14DW1	EBLA16DW1				
Space heating 	Average climate water outlet 35°C	B Condition (2°CDB/1°CWB)	Cdh (Degradation heating)				1.0			
		COPd	4.52	4.37	4.35	4.33				
		Pdh kW	5.5		6.1	6.7				
		PERd %	180.8	174.8	174.0	173.2				
		C Condition (7°CDB/6°CWB)	Cdh (Degradation heating)				1.0			
		COPd	6.78	6.74	6.70	6.83				
		Pdh kW	4.7		4.6	4.7				
		PERd %	271.2	269.6	268.0	273.2				
		D Condition (12°CDB/11°CWB)	Cdh (Degradation heating)				1.0			
		COPd	8.75	8.54	8.65	8.82				
	Pdh kW	5.5		5.4	5.5					
	PERd %	350.0	341.6	346.0	352.8					
	Tol (temperature operating limit)	COPd	2.64	2.58	2.51	2.48				
		Pdh kW	8.3	10.1	11.2	11.8				
		PERd %	105.6	103.2	100.4	99.2				
		TOL °C			-10					
	Tbiv (bivalent temperature)	WTOL °C			35					
		COPd	2.75	2.58	2.51	2.48				
		Pdh kW	8.7	10.1	11.2	11.8				
		PERd %	110.0	103.2	100.4	99.2				
Rated heat output	Tbiv °C	-9		-10						
	Psup (at Tdesign -10°C) kW	0.7		0.0						
Cold climate water outlet 35°C	General	Annual energy consumption kWh	4,980	5,732	6,266	7,245				
		ηs (Seasonal space heating efficiency) %	175	169	170	160				
		Prated at -22°C kW	9.0	10.0	11.0	12.0				
		Qhe Annual energy consumption (GCV) GJ	18	21	23	26				
		Warm climate water outlet 35°C	General	Annual energy consumption kWh	1,938	2,128	2,333	2,573		
ηs (Seasonal space heating efficiency) %	243			248	249	246				
Prated at 2°C kW	9.0			10.0	11.0	12.0				
Qhe Annual energy consumption (GCV) GJ	7			8	9					
B Condition (2°CDB/1°CWB)	Cdh (Degradation heating)				1.0					
	COPd	3.36	3.30	3.45	3.30					
	Pdh kW	9.0	10.3	10.8	11.9					
C Condition (7°CDB/6°CWB)	Cdh (Degradation heating)				1.0					
	COPd	5.59	5.70	5.77	5.64					
	Pdh kW	5.9	6.7	7.4	8.1					
Space heating 	Warm climate water outlet 35°C	C Condition (7°CDB/6°CWB)	PERd %				223.6	228.0	230.8	225.6
			D Condition (12°CDB/11°CWB)	Cdh (Degradation heating)				1.0		
				COPd	7.87		7.73			
	Pdh kW			5.2						
	Tbiv (bivalent temperature)	COPd	PERd %	314.8		309.2				
			Pdh kW	3.36	3.30	3.45	3.30			
			Pdh kW	9.0	10.3	10.8	11.9			
			PERd %	134.4	132.0	138.0	132.0			
	Control systems	Class of temperature control	Tbiv °C				2			
			Contribution to seasonal space heating % efficiency				VI			
			4							

Electrical specifications			EBLA09DW1	EBLA11DW1	EBLA14DW1	EBLA16DW1
Compressor	Starting method		Inverter			
Pump	Type		PWM			
Compressor component	Main power supply	Phase	3N~			
		Voltage	400			
	Voltage range	Min.	-10			
		Max.	10			

2 Specifications

1 - 4 EDLA09-16D3W1, EDLA09-16D3V3

2

Electrical specifications			EBLA09DW1	EBLA11DW1	EBLA14DW1	EBLA16DW1	
Power supply	Name					W1	
	Phase					3~	
	Frequency	Hz				50	
	Voltage	V				400	
Voltage range	Min.	%				-10	
	Max.	%				10	
Current	Maximum running current	Heating	A				14.0
	Recommended fuses		A				16
Wiring connections	Optional domestic hot water tank	Quantity				3G	
		Type of wires				Minimum 2.5 mm ²	
	R5T	Quantity				2	
		Type of wires				Wire included in option EKHWS*	
	For connection with R6T	Quantity				2	
		Remark				Minimum 0.75 mm ²	
	A3P	Quantity				4	
		Type of wires				Select diameter and type according to national and local regulations	
	M2S	Quantity				2	
		Type of wires				Select diameter and type according to national and local regulations	
	M3S	Quantity				3	
		Type of wires				Select diameter and type according to national and local regulations	
		Quantity				2	
		Type of wires				Wire included in option EKFLSW1	
For power supply	Quantity				4G		
	Remark				See installation manual outdoor unit		
For connection with user interface	Quantity				4		
	Remark				0.75 mm ² till 1.25 mm ² (max length 200 m)		
Preferential kWh rate power supply	Quantity				0,75 ~1,25 mm ² (PIP2)		
	Remark				Power: 2		
Domestic hot water pump	Quantity				Power 6.3A		
	Quantity				3		
Wiring connections	Domestic hot water pump	Remark				Minimum 0.75 mm ²	
Cable requirements	Cooling/Heating output	Maximum running current	A				0,3

(1)Condition: Ta DB/WB 7°C/6°C - LWC 35°C (DT = 5°C) |
 (2)Condition: Ta DB/WB 7°C/6°C - LWC 45°C (Dt=5°C) |
 (3)Cooling: EW 12°C; LW 7°C; ambient conditions: 35°CDB |
 (4)Cooling: EW 23°C; LW 18°C; ambient conditions: 35°CDB |
 (5)According to EN14825 |
 (6)For more details, see operation range drawing |
 (7)Depends on operation mode, refer to installation manual.

Technical specifications			EBLA09DV3	EBLA11DV3	EBLA14DV3	EBLA16DV3	
Heating capacity	Nom.	kW	9.37 (1) / 9.00 (2)	10.6 (1) / 9.82 (2)	12.0 (1) / 12.5 (2)	16.0 (1) / 16.0 (2)	
Cooling capacity	Nom.	kW	9.35 (3) / 9.10 (4)	11.6 (3) / 11.5 (4)	12.8 (3) / 12.7 (4)	14.0 (3) / 15.3 (4)	
Power input	Cooling	Nom.	kW	2.79 (3) / 1.71 (4)	3.56 (3) / 2.17 (4)	4.06 (3) / 2.51 (4)	4.58 (3) / 3.24 (4)
	Heating	Nom.	kW	1.91 (1) / 2.43 (2)	2.18 (1) / 2.68 (2)	2.46 (1) / 3.42 (2)	3.53 (1) / 4.56 (2)
COP			4.91 (1) / 3.71 (2)	4.83 (1) / 3.66 (2)	4.87 (1) / 3.64 (2)	4.53 (1) / 3.51 (2)	
EER			3.35 (3) / 5.34 (4)	3.26 (3) / 5.31 (4)	3.16 (3) / 5.04 (4)	3.06 (3) / 4.74 (4)	
SEER			5.62 (5)	5.79 (5)	5.71 (5)	5.59 (5)	
Casing	Colour					Silver	
	Material					Polyester painted galvanised steel plate	
Dimensions	Unit	Height	mm				870
		Width	mm				1,380
		Depth	mm				460
	Packed unit	Height	mm				1,053
		Width	mm				1,500
		Depth	mm				650
Weight	Unit	kg				147	
	Packed unit	kg				164	
Packing	Material					PE wrapping foil / Carton / Wood (pallet)	
	Weight	kg				17	

2 Specifications

1 - 4 EDLA09-16D3W1, EDLA09-16D3V3

Technical specifications				EBLA09DV3	EBLA11DV3	EBLA14DV3	EBLA16DV3	
Heat exchanger	Length	mm		1,136 / 1,166 / 1,195				
	Rows	Quantity		3				
	Fin pitch	mm		1.4				
	Passes	Quantity		14				
	Face area	m ²		0.950 / 0.970 / 1.00				
	Stages	Quantity		38				
	Tube type			7.0 Hi-XD				
	Fin	Type			WF fin			
	Treatment			Anti-corrosion treatment				
Fan	Type			Propeller fan				
	Quantity			1				
	Discharge direction			Horizontal				
	Air flow rate	Heating	High	m ³ /min	48.0	55.8	70.4	85.0
	Cooling	High	m ³ /min	63.1	70.4		85.0	
Fan motor	Quantity			1				
	Model			Brushless DC motor				
	Speed	Steps		8				
Fan motor	Speed	Heating	Nom.	rpm	400	450	550	650
		Cooling	Nom.	rpm	500	550		650
	Output			W				
	Drive			Direct drive				
Compressor	Quantity			1				
	Model			2Y350BPAX1P#C				
	Type			Hermetically sealed swing compressor				
PED	Category			Category II				
	Most critical part	Name		Accumulator				
		Ps*V	Bar*l	159				
Operation range	Heating	Ambient	Min.	°CDB	-25			
			Max.	°CDB	25 (6)			
		Water side	Min.	°C	9 (6)			
			Max.	°C	60 (6)			
	Cooling	Ambient	Min.	°CDB	10			
			Max.	°CDB	43			
		Water side	Min.	°C	5			
			Max.	°C	22			
	Domestic hot water	Ambient	Min.	°CDB	-25			
			Max.	°CDB	35			
		Water side	Min.	°C	25			
			Max.	°C	55 (6)			
Refrigerant	Type			R-32				
	GWP			675.0				
	Charge	kg		3.80				
	Charge	TCO2Eq		2.57				
	Control			Expansion valve				
	Circuits	Quantity		1				
Refrigerant oil	Type			FW68DA				
	Charged volume	l		1.35				
Defrost method			Reversed cycle					
Defrost control			Sensor for outdoor heat exchanger temperature					
Capacity control	Method		Inverter controlled					
Safety devices	Item	01			High pressure switch			
		02			Low pressure switch			
	03			Fan driver overload protector				
	04			Fuse				
Safety devices	Item	05			Compressor motor thermal protector			
Pump	Quantity			1				
	Nr of speeds			PWM				
	Nominal	Heating		kPa	106.5	102.9	97.6	76.7
	ESP unit	Cooling		kPa	106.6	99.2	94.1	88.4
	Power input			W				
Water side Heat exchanger	Type			Plate heat exchanger				
	Quantity			1				
	Water volume			l				
	Water flow rate	Heating	Nom.	l/min	26.9 (1) / 25.8 (2)	30.3 (1) / 28.2 (2)	34.4 (1) / 35.7 (2)	45.9 (1) / 45.9 (2)
		Cooling	Nom.	l/min	26.8 (3) / 26.1 (4)	33.2 (3) / 33.0 (4)	36.8 (3) / 36.3 (4)	40.2 (3) / 43.9 (4)
	Insulation material			EPDM type				
	Heater			W				
Expansion vessel	Volume			l				
	Max. water pressure			bar				
	Pre pressure			bar				
	Heater			W				
				65				

2 Specifications

1 - 4 EDLA09-16D3W1, EDLA09-16D3V3

2

Technical specifications			EBLA09DV3	EBLA11DV3	EBLA14DV3	EBLA16DV3		
Water filter	Diameter perforations	mm	0.8					
	Material		Stainless steel					
Water circuit	Piping connections diameter	inch	G 1" (male)					
	Piping	inch	1-1/4"					
	Piping Max. length	OU - Tank m	10					
	Level Max. difference	m	5					
	Safety valve	bar	3					
	Drain valve / fill valve		Yes					
	Shut off valve		Yes					
	Air purge valve		Yes (Manually)					
	Minimum water volume in the system	l	50 (7)					
	Heater	W	66.0					
General	Supplier/Manufacturer details	Name and address	Daikin Europe N.V. - Zandvoordestraat 300, 8400 Oostende, Belgium					
		Name or trademark	Daikin Europe N.V.					
	Product description	Air-to-water heat pump		Yes				
		Brine-to-water heat pump		No				
		Heat pump combination heater		No				
		Low-temperature heat pump		No				
		Supplementary heater integrated		No				
Water-to-water heat pump		No						
LW(A) Sound power level (according to EN14825)	dB(A)	62.0						
Sound condition Ecodesign and energy label			Sound power in heating mode, measured according to the EN12102 under conditions of the EN14825					
Space heating general	Air to water unit	Rated airflow (outdoor)	m ³ /h	2,880	3,350	4,220	5,100	
	Other	Capacity control		Inverter				
		Pck (Crankcase heater mode)	kW	0.000				
		Poff (Off mode)	kW	0.023				
		Psb (Standby mode)	kW	0.023				
Pto (Thermostat off)	kW	0.023						
Space heating climate water outlet 55°C	General	Annual energy consumption	kWh	5,404	6,134	6,651	7,359	
		ηs (Seasonal space heating efficiency)	%	135	132	134	132	
		Prated at -10°C	kW	9.0	10.0	11.0	12.0	
		Qhe Annual energy consumption (GCV)	Gj	19	22	24	26	
		SCOP		3.44	3.37	3.42	3.37	
		Seasonal space heating eff. class		A++				
		A Condition (-7°CDB/-8°CWB)	Cdh (Degradation heating)		1.0			
			COPd		2.09	1.90	2.02	1.95
			Pdh	kW	8.5	9.3	9.4	
			PERd	%	83.6	76.0	80.8	78.0
		B Condition (2°CDB/1°CWB)	Cdh (Degradation heating)		1.0			
			COPd		3.28	3.25	3.28	3.27
			Pdh	kW	5.0	5.4	6.2	6.9
			PERd	%	131.2	130.0	131.2	130.8
		C Condition (7°CDB/6°CWB)	Cdh (Degradation heating)		1.0			
			COPd		4.80	4.81	4.88	4.93
			Pdh	kW			4.4	
			PERd	%	192.0	192.4	195.2	197.2
		D Condition (12°CDB/11°CWB)	Cdh (Degradation heating)		1.0			
			COPd		6.45	6.41	6.58	6.60
			Pdh	kW			5.3	
			PERd	%	258.0	256.4	263.2	264.0
		Tol (temperature operating limit)	COPd		1.70	1.64	1.70	1.67
Pdh	kW		6.8	7.6	7.8	8.0		
PERd	%		68.0	65.6	68.0	66.8		
TOL	°C		-10					
WTOL	°C		55					
Rated heat output	Psup (at Tdesign -10°C)	kW	2.2	2.4	3.2	4.1		
Tbiv (bivalent temperature)	COPd		1.92	1.90	2.09	2.13		

2 Specifications

1 - 4 EDLA09-16D3W1, EDLA09-16D3V3

Technical specifications			EBLA09DV3	EBLA11DV3	EBLA14DV3	EBLA16DV3			
Space heating	Average climate water outlet 55°C	Tbiv (bivalent temperature)	Pdh kW	8.8	9.3	9.4	10.1		
			PERd %	76.8	76.0	83.6	85.2		
			Tbiv °C	-8	-7	-6	-5		
	Cold climate water outlet 55°C	General	Annual energy consumption	kWh	7,376	8,196	8,808	9,599	
			ηs (Seasonal space heating efficiency)	%	117		120		
			Prated at -22°C	kW	9.0	10.0	11.0	12.0	
			Qhe Annual energy consumption (GCV)	Gj	27	30	32	35	
	Warm climate water outlet 55°C	General	Annual energy consumption	kWh	2,820	3,083	3,690		
			ηs (Seasonal space heating efficiency)	%	168	170	172		
			Prated at 2°C	kW	9.0	10.0	12.1		
			Qhe Annual energy consumption (GCV)	Gj	10	11	13		
		B Condition (2°CDB/1°CWB)	Cdh (Degradation heating)			1.0			
				COPd		2.12	2.18	2.17	
				Pdh kW		9.0	9.8		
				PERd %		84.8	87.2	86.8	
		C Condition (7°CDB/6°CWB)	Cdh (Degradation heating)			1.0			
				COPd		3.65	3.74	3.83	
	Pdh kW				6.2		7.6		
	PERd %				146.0	149.6	153.2		
	D Condition (12°CDB/11°CWB)	Cdh (Degradation heating)			1.0				
			COPd		5.68		5.69		
			Pdh kW		5.0				
			PERd %		227.2		227.6		
	Tbiv (bivalent temperature)	General	COPd		2.12	2.18	2.40		
			Pdh kW		9.0	9.8	11.0		
			PERd %		84.8	87.2	96.0		
Tbiv °C				2		3			
Average climate water outlet 35°C	General	Annual energy consumption	kWh	3,854	4,371	4,838	5,281		
		ηs (Seasonal space heating efficiency)	%	190	186	185			
		Prated at -10°C	kW	9.0	10.0	11.0	12.0		
		Qhe Annual energy consumption (GCV)	Gj	14	16	17	19		
		SCOP		4.82	4.73	4.70	4.69		
		Seasonal space heating eff. class		A+++					
	A Condition (-7°CDB/-8°CWB)	COPd			3.07	3.03	2.95	2.87	
			Pdh kW		8.5	9.2	10.1	11.2	
			PERd %		122.8	121.2	118.0	114.8	
	B Condition (2°CDB/1°CWB)	Cdh (Degradation heating)			1.0				

2 Specifications

1 - 4 EDLA09-16D3W1, EDLA09-16D3V3

2

Technical specifications				EBLA09DV3	EBLA11DV3	EBLA14DV3	EBLA16DV3
Space heating	Average climate water outlet 35°C	B Condition (2°CDB/1°CWB)	COPd	4.52	4.37	4.35	4.33
			Pdh kW	5.5			
			PERd %	180.8	174.8	174.0	173.2
		C Condition (7°CDB/6°CWB)	Cdh (Degradation heating)	1.0			
			COPd	6.78	6.74	6.70	6.83
			Pdh kW	4.7	4.6		4.7
		D Condition (12°CDB/11°CWB)	Cdh (Degradation heating)	1.0			
			COPd	8.75	8.54	8.65	8.82
			Pdh kW	5.5	5.4		5.5
		Tol (temperature operating limit)	PERd %	350.0	341.6	346.0	352.8
			COPd	2.64	2.58	2.51	2.48
			Pdh kW	8.3	10.1	11.2	11.8
		Tbiv (bivalent temperature)	PERd %	105.6	103.2	100.4	99.2
			TOL °C	-10			
			WTOL °C	35			
		Rated heat output	COPd	2.75	2.58	2.51	2.48
			Pdh kW	8.7	10.1	11.2	11.8
			PERd %	110.0	103.2	100.4	99.2
		Cold climate water outlet 35°C	Tbiv °C	-9	-10		-10
			Psup (at Tdesign -10°C) kW	0.7	0.0		0.0
			General Annual energy consumption kWh	5,351	5,732	6,266	7,245
		Warm climate water outlet 35°C	ηs (Seasonal space heating efficiency) %	163	169	170	160
			Prated at -22°C kW	9.0	10.0	11.0	12.0
			Qhe Annual energy consumption (GCV) GJ	19	21	23	26
		General Annual energy consumption kWh	1,938	2,128	2,333	2,573	
			ηs (Seasonal space heating efficiency) %	243	248	249	246
			Prated at 2°C kW	9.0	10.0	11.0	12.0
B Condition (2°CDB/1°CWB)	Qhe Annual energy consumption (GCV) GJ	7	8		9		
	Cdh (Degradation heating)	1.0					
	COPd	3.36	3.30	3.45	3.30		
C Condition (7°CDB/6°CWB)	Pdh kW	9.0	10.3	10.8	11.9		
	PERd %	134.4	132.0	138.0	132.0		
	Cdh (Degradation heating)	1.0					
D Condition (12°CDB/11°CWB)	COPd	5.59	5.70	5.77	5.64		
	Pdh kW	5.9	6.7	7.4	8.1		
	PERd %	223.6	228.0	230.8	225.6		
Space heating	Warm climate water outlet 35°C	Tbiv (bivalent temperature)	Cdh (Degradation heating)	1.0			
			COPd	7.87		7.73	
			Pdh kW	5.2		3.30	
Control systems	Class of temperature control	Contribution to seasonal space heating efficiency %	PERd %	314.8	309.2		3.30
			COPd	3.36	3.30	3.45	3.30
			Pdh kW	9.0	10.3	10.8	11.9
Control systems	Class of temperature control	Contribution to seasonal space heating efficiency %	PERd %	134.4	132.0	138.0	132.0
			Tbiv °C	2			
			VI	4			

Electrical specifications				EBLA09DV3	EBLA11DV3	EBLA14DV3	EBLA16DV3
Compressor	Starting method			Inverter			
Pump	Type			PWM			
Compressor component	Main power supply	Phase		1~			
		Voltage	V	230			
		Voltage range	Min. %	-10			
Power supply	Name	Max. %		10			
		Phase		V3			
		Frequency	Hz	1~			
		Voltage	V	50			
				230			

2 Specifications

1 - 4 EDLA09-16D3W1, EDLA09-16D3V3

Electrical specifications			EBLA09DV3	EBLA11DV3	EBLA14DV3	EBLA16DV3
Voltage range	Min.	%			-10	
	Max.	%			10	
Current	Maximum Heating running current	A			30.8	
	Recommended fuses	A			32	
Wiring connections	Optional domestic hot water tank	Quantity			3G	
		Type of wires			Minimum 2.5 mm ²	
	R5T	Quantity			2	
		Type of wires			Wire included in option EKHWS*	
	For connection with R6T	Quantity			2	
		Remark			Minimum 0.75 mm ²	
	A3P	Quantity			4	
		Type of wires			Select diameter and type according to national and local regulations	
	M2S	Quantity			2	
		Type of wires			Select diameter and type according to national and local regulations	
	M3S	Quantity			3	
		Type of wires			Select diameter and type according to national and local regulations	
		Quantity			2	
		Type of wires			Wire included in option EKFLSW1	
	For power supply	Quantity			2G	
	Remark			See installation manual outdoor unit		
For connection with user interface	Quantity			4		
	Remark			0.75 mm ² till 1.25 mm ² (max length 200 m)		
	Type of wires			0,75 ~1,25 mm ² (PIP2)		
Preferential kWh rate power supply	Quantity			Power: 2		
	Remark			Power 6.3A		
Domestic hot water pump	Quantity			3		
Wiring connections	Domestic hot water pump	Remark			Minimum 0.75 mm ²	
Cable requirements	Cooling/Heating output	Maximum running current	A		0,3	

- (1)Condition: Ta DB/WB 7°C/6°C - LWC 35°C (DT = 5°C) |
 (2)Condition: Ta DB/WB 7°C/6°C - LWC 45°C (Dt=5°C) |
 (3)Cooling: EW 12°C; LW 7°C; ambient conditions: 35°CDB |
 (4)Cooling: EW 23°C; LW 18°C; ambient conditions: 35°CDB |
 (5)According to EN14825 |
 (6)For more details, see operation range drawing |
 (7)Depends on operation mode, refer to installation manual.

Technical specifications			EBLA09D3W1	EBLA11D3W1	EBLA14D3W1	EBLA16D3W1	
Heating capacity	Nom.	kW	9.37 (1) / 9.00 (2)	10.6 (1) / 9.82 (2)	12.0 (1) / 12.5 (2)	16.0 (1) / 16.0 (2)	
Cooling capacity	Nom.	kW	9.35 (3) / 9.10 (4)	11.6 (3) / 11.5 (4)	12.8 (3) / 12.7 (4)	14.0 (3) / 15.3 (4)	
Heater capacity	Step 1	kW	3				
Power input	Cooling Nom.	kW	2.79 (3) / 1.71 (4)	3.56 (3) / 2.17 (4)	4.06 (3) / 2.51 (4)	4.58 (3) / 3.24 (4)	
	Heating Nom.	kW	1.91 (1) / 2.43 (2)	2.18 (1) / 2.68 (2)	2.46 (1) / 3.42 (2)	3.53 (1) / 4.56 (2)	
COP			4.91 (1) / 3.71 (2)	4.83 (1) / 3.66 (2)	4.87 (1) / 3.64 (2)	4.53 (1) / 3.51 (2)	
EER			3.35 (3) / 5.34 (4)	3.26 (3) / 5.31 (4)	3.16 (3) / 5.04 (4)	3.06 (3) / 4.74 (4)	
SEER			5.62 (5)	5.79 (5)	5.71 (5)	5.59 (5)	
Casing	Colour		Silver				
	Material		Polyester painted galvanised steel plate				
Dimensions	Unit	Height	mm	870			
		Width	mm	1,380			
		Depth	mm	460			
	Packed unit	Height	mm	1,053			
		Width	mm	1,500			
		Depth	mm	650			
Weight	Unit	kg	149				
	Packed unit	kg	166				
Packing	Material		PE wrapping foil / Carton / Wood (pallet)				
	Weight	kg	17				
Heat exchanger	Length	mm	1,136 / 1,166 / 1,195				
	Rows	Quantity	3				
	Fin pitch	mm	1.4				
	Passes	Quantity	13				
	Face area	m ²	0.950 / 0.970 / 1.00				
	Stages	Quantity	38				
	Empty tubeplate hole	Quantity	2				
	Tube type		7.0 Hi-XD				
	Fin	Type		WF fin			
		Treatment		Anti-corrosion treatment			

2 Specifications

1 - 4 EDLA09-16D3W1, EDLA09-16D3V3

2

Technical specifications				EBLA09D3W1	EBLA11D3W1	EBLA14D3W1	EBLA16D3W1	
Fan	Type	Propeller fan						
	Quantity	1						
	Discharge direction	Horizontal						
	Air flow rate	Heating	High	m ³ /min	48.0	55.8	70.4	85.0
		Cooling	High	m ³ /min	63.1	70.4		85.0
Fan motor	Quantity	1						
Fan motor	Model	Brushless DC motor						
	Speed	Steps	8					
		Heating	Nom.	rpm	400	450	550	650
		Cooling	Nom.	rpm	500	550		650
	Output	W						
Drive	Direct drive							
Compressor	Quantity	1						
	Model	2Y350BPAY1P#C						
	Type	Hermetically sealed swing compressor						
PED	Category	Category II						
	Most critical part	Name	Accumulator					
		Ps*V	Bar*l	159				
Operation range	Heating	Ambient	Min.	°CDB	-25			
			Max.	°CDB	35			
		Water side	Min.	°C	15 (6)			
			Max.	°C	60 (6)			
	Cooling	Ambient	Min.	°CDB	10			
			Max.	°CDB	43			
		Water side	Min.	°C	5			
			Max.	°C	22			
	Domestic hot water	Ambient	Min.	°CDB	-25			
			Max.	°CDB	35			
		Water side	Min.	°C	25			
			Max.	°C	55 (6)			
Refrigerant	Type	R-32						
	GWP	675.0						
	Charge	kg						
	Charge	TCO2Eq						
	Control	Expansion valve						
	Circuits	Quantity	1					
Refrigerant oil	Type	FW68DA						
	Charged volume	l						
Defrost method	Reversed cycle							
Defrost control	Sensor for outdoor heat exchanger temperature							
Capacity control	Method	Inverter controlled						
Safety devices	Item	01	High pressure switch					
		02	Low pressure switch					
Safety devices	Item	03	Fan driver overload protector					
		04	Fuse					
		05	Compressor motor thermal protector					
Pump	Quantity	1						
	Nr of speeds	PWM						
	Nominal	Heating	kPa	106.9	102.7	96.5	71.4	
		Cooling	kPa	107.0	98.4	92.3	85.5	
	Power input	W						
Water side Heat exchanger	Type	Plate heat exchanger						
	Quantity	1						
	Water volume	l						
	Water flow rate	Heating	Nom.	l/min	26.9 (1) / 25.8 (2)	30.3 (1) / 28.2 (2)	34.4 (1) / 35.7 (2)	45.9 (1) / 45.9 (2)
		Cooling	Nom.	l/min	26.8 (3) / 26.1 (4)	33.2 (3) / 33.0 (4)	36.8 (3) / 36.3 (4)	40.2 (3) / 43.9 (4)
	Insulation material	EPDM type						
	Heater	W						
Expansion vessel	Volume	l						
	Max. water pressure	bar						
	Pre pressure	bar						
	Heater	W						
Water filter	Diameter perforations	mm						
	Material	Stainless steel						

2 Specifications

1 - 4 EDLA09-16D3W1, EDLA09-16D3V3

Technical specifications				EBLA09D3W1	EBLA11D3W1	EBLA14D3W1	EBLA16D3W1	
Water circuit	Piping connections diameter	inch	G 1" (male)					
	Piping	inch	1-1/4"					
	Piping Max. length	OU - Tank m	10					
	Level Max. difference	m	5					
	Safety valve	bar	3					
	Drain valve / fill valve		Yes					
	Shut off valve		Yes					
	Air purge valve		Yes					
	Minimum water volume in the system	l	20 (7)					
	Heater	W	66.0					
General	Supplier/Manufacturer details	Name and address Name or trademark	Daikin Europe N.V. - Zandvoordestraat 300, 8400 Oostende, Belgium Daikin Europe N.V.					
	Product description	Air-to-water heat pump	Yes					
		Brine-to-water heat pump	No					
		Heat pump combination heater	No					
General	Product description	Low-temperature heat pump	No					
		Supplementary heater integrated	Yes					
		Water-to-water heat pump	No					
LW(A) Sound power level (according to EN14825)			dB(A)				62.0	
Sound condition Ecodesign and energy label			Sound power in heating mode, measured according to the EN12102 under conditions of the EN14825					
Space heating general	Air to water unit	Rated airflow (outdoor)	m ³ /h	2,880	3,350	4,220	5,100	
		Other	Capacity control	Inverter				
	Integrated supplementary	Type of energy input	Pck (Crankcase heater mode)	kW	0.000			
			Poff (Off mode)	kW	0.023			
			Psb (Standby mode)	kW	0.023			
			Pto (Thermostat off)	kW	0.023			
	Space heating climate water outlet 55°C	General	Annual energy consumption	kWh	5,404	6,134	6,651	7,359
			ηs (Seasonal space heating efficiency)	%	135	132	134	132
			Prated at -10°C	kW	9.0	10.0	11.0	12.0
			Qhe Annual energy consumption (GCV)	Gj	19	22	24	26
SCOP				3.44	3.37	3.42	3.37	
Seasonal space heating eff. class				A++				
A Condition (-7°CDB/-8°CWB)			Cdh (Degradation heating)		1.0			
			COPd		2.09	1.90	2.02	1.95
			Pdh	kW	8.5	9.3	9.4	
B Condition (2°CDB/1°CWB)			PERd	%	83.6	76.0	80.8	78.0
			Cdh (Degradation heating)		1.0			
			COPd		3.28	3.25	3.28	3.27
C Condition (7°CDB/6°CWB)			Pdh	kW	5.0	5.4	6.2	6.9
			PERd	%	131.2	130.0	131.2	130.8
			Cdh (Degradation heating)		1.0			
D Condition (12°CDB/11°CWB)			COPd		4.80	4.81	4.88	4.93
	Pdh	kW	4.4					
	PERd	%	192.0	192.4	195.2	197.2		
Tol (temperature operating limit)	Cdh (Degradation heating)	COPd		1.0				
		COPd		6.45	6.41	6.58	6.60	
		Pdh	kW	5.3				
		PERd	%	258.0	256.4	263.2	264.0	
	PERd	COPd		1.70	1.64	1.70	1.67	
		Pdh	kW	6.8	7.6	7.8	8.0	
		PERd	%	68.0	65.6	68.0	66.8	
		TOL	°C	-10				

2 Specifications

1 - 4 EDLA09-16D3W1, EDLA09-16D3V3

2

Technical specifications				EBLA09D3W1	EBLA11D3W1	EBLA14D3W1	EBLA16D3W1	
Space heating	Average climate water outlet 55°C	Tol (temperature operating limit)	WTOL °C	55				
		Rated heat output	Psup (at Tdesign -10°C) kW	2.2	2.4	3.2	4.1	
Cold climate water outlet 55°C	General	Tbiv (bivalent temperature)	COPd	1.92	1.90	2.09	2.13	
			Pdh kW	8.8	9.3	9.4	10.1	
			PERd %	76.8	76.0	83.6	85.2	
			Tbiv °C	-8	-7	-6	-5	
			Annual energy consumption kWh	7,092	7,848	8,808	9,510	
		ηs (Seasonal space heating efficiency) %	122	123	120	121		
		Prated at -22°C kW	9.0	10.0	11.0	12.0		
		Qhe Annual energy consumption (GCV) GJ	26	28	32	34		
	Warm climate water outlet 55°C	General	Annual energy consumption kWh		2,820	3,083		3,690
			ηs (Seasonal space heating efficiency) %		168	170		172
Prated at 2°C kW				9.0	10.0		12.1	
Qhe Annual energy consumption (GCV) GJ				10	11		13	
B Condition (2°CDB/1°CWB)			Cdh (Degradation heating)		1.0			
C Condition (7°CDB/6°CWB)	General	COPd		2.12	2.18		2.17	
		Pdh kW		9.0		9.8		
		PERd %		84.8	87.2		86.8	
		Cdh (Degradation heating)		1.0				
		COPd		3.65	3.74		3.83	
D Condition (12°CDB/11°CWB)	General	Pdh kW		6.2		7.6		
		PERd %		146.0	149.6		153.2	
		Cdh (Degradation heating)		1.0				
		COPd		5.68		5.69		
		Pdh kW		5.0				
Average climate water outlet 35°C	General	Tbiv (bivalent temperature)	COPd	2.12	2.18		2.40	
			Pdh kW	9.0	9.8		11.0	
			PERd %	84.8	87.2		96.0	
			Tbiv °C	2			3	
			Annual energy consumption kWh	3,854	4,371	4,838	5,281	
A Condition (-7°CDB/-8°CWB)	General	ηs (Seasonal space heating efficiency) %		190	186		185	
		Prated at -10°C kW		9.0	10.0	11.0	12.0	
		Qhe Annual energy consumption (GCV) GJ		14	16	17	19	
		SCOP		4.82	4.73	4.70	4.69	
		Seasonal space heating eff. class		A+++				
	COPd		3.07	3.03	2.95	2.87		

2 Specifications

1 - 4 EDLA09-16D3W1, EDLA09-16D3V3

Technical specifications				EBLA09D3W1	EBLA11D3W1	EBLA14D3W1	EBLA16D3W1		
Space heating	Average climate water outlet 35°C	A Condition (-7°CDB/-8°CWB)	Pdh	kW	8.5	9.2	10.1	11.2	
			PERd	%	122.8	121.2	118.0	114.8	
		B Condition (2°CDB/1°CWB)	Cdh (Degradation heating)		1.0				
			COPd		4.52	4.37	4.35	4.33	
			Pdh	kW	5.5		6.1	6.7	
			PERd	%	180.8	174.8	174.0	173.2	
		C Condition (7°CDB/6°CWB)	Cdh (Degradation heating)		1.0				
			COPd		6.78	6.74	6.70	6.83	
			Pdh	kW	4.7	4.6		4.7	
			PERd	%	271.2	269.6	268.0	273.2	
		D Condition (12°CDB/11°CWB)	Cdh (Degradation heating)		1.0				
			COPd		8.75	8.54	8.65	8.82	
			Pdh	kW	5.5	5.4		5.5	
			PERd	%	350.0	341.6	346.0	352.8	
		Tol (temperature operating limit)	COPd		2.64	2.58	2.51	2.48	
			Pdh		8.3	10.1	11.2	11.8	
			PERd		105.6	103.2	100.4	99.2	
			TOL		-10 °C				
			WTOL		35 °C				
		Tbiv (bivalent temperature)	COPd		2.75	2.58	2.51	2.48	
			Pdh		8.7	10.1	11.2	11.8	
			PERd		110.0	103.2	100.4	99.2	
			Tbiv		-9 °C				
		Rated heat output	Psup (at Tdesign -10°C)		0.7	0.0		0.0	
Cold climate water outlet 35°C	General	Annual energy consumption		4,980	5,732	6,266	7,245		
		ηs (Seasonal space heating efficiency)		175	169	170	160		
		Prated at -22°C		9.0	10.0	11.0	12.0		
		Qhe Annual energy consumption (GCV)		18	21	23	26		
Warm climate water outlet 35°C	General	Annual energy consumption		1,938	2,128	2,333	2,573		
		ηs (Seasonal space heating efficiency)		243	248	249	246		
		Prated at 2°C		9.0	10.0	11.0	12.0		
		Qhe Annual energy consumption (GCV)		7	8		9		
B Condition (2°CDB/1°CWB)	Cdh (Degradation heating)		1.0						
	COPd		3.36	3.30	3.45	3.30			
	Pdh	kW	9.0	10.3	10.8	11.9			
	PERd	%	134.4	132.0	138.0	132.0			
C Condition (7°CDB/6°CWB)	Cdh (Degradation heating)		1.0						
	COPd		5.59	5.70	5.77	5.64			
	Pdh	kW	5.9	6.7	7.4	8.1			
	PERd	%	223.6	228.0	230.8	225.6			
D Condition (12°CDB/11°CWB)	Cdh (Degradation heating)		1.0						
	COPd		7.87		7.73				
	Pdh	kW	5.2						
	PERd	%	314.8	309.2					
Tbiv (bivalent temperature)	COPd		3.36	3.30	3.45	3.30			
	Pdh		9.0	10.3	10.8	11.9			
	PERd		134.4	132.0	138.0	132.0			
	Tbiv		2 °C						
Control systems	Class of temperature control		VI						
	Contribution to seasonal space heating efficiency		4						

Electrical specifications				EBLA09D3W1	EBLA11D3W1	EBLA14D3W1	EBLA16D3W1
Compressor	Starting method			Inverter			
Pump	Type			PWM			
Compressor component	Main power supply	Phase Voltage		3N~			
		Voltage range		400			
	Voltage range	Min.		-10			
		Max.		10			

2 Specifications

1 - 4 EDLA09-16D3W1, EDLA09-16D3V3

2

Electrical specifications				EBLA09D3W1	EBLA11D3W1	EBLA14D3W1	EBLA16D3W1	
Hydraulic component	Back-up heater	Type		3V3				
		Power supply	Phase	1~				
	current	Frequency	Hz	50				
			Voltage	V	230			
		Running current	Back-up heater	A	13.0			
	Voltage range	Min.	%	-10				
		Max.	%	10				
Wiring connections	Type of wires		Select diameter and type according to national and local regulations					
Power supply	Name		W1					
	Phase		3~					
	Frequency	Hz	50					
	Voltage	V	400					
Voltage range	Min.	%	-10					
	Max.	%	10					
Current	Maximum running current	Heating	A	14.0				
	Recommended fuses		A	16				
Wiring connections	Optional domestic hot water tank	Quantity		3G				
		Type of wires		Minimum 2.5 mm ²				
	R5T	Quantity		2				
		Type of wires		Wire included in option EKHWS*				
	For connection with R6T	Quantity		2				
		Remark		Minimum 0.75 mm ²				
	A3P	Quantity		4				
		Type of wires		Select diameter and type according to national and local regulations				
	M2S	Quantity		2				
		Type of wires		Select diameter and type according to national and local regulations				
M3S	Quantity		3					
	Type of wires		Select diameter and type according to national and local regulations					
Wiring connections	For power supply	Quantity		4G				
		Remark		See installation manual outdoor unit				
	For connection with user interface	Quantity		4				
		Remark		0.75 mm ² till 1.25 mm ² (max length 200 m)				
	Preferential kWh rate power supply	Quantity		Power: 2				
		Remark		Power 6.3A				
	Domestic hot water	Quantity		3				
		Remark		Minimum 0.75 mm ²				
	Cable requirements	Cooling/Heating output	Maximum running current	A	0,3			

(1)Condition: Ta DB/WB 7°C/6°C - LWC 35°C (DT = 5°C) |

(2)Condition: Ta DB/WB 7°C/6°C - LWC 45°C (DT=5°C) |

(3)Cooling: EW 12°C; LW 7°C; ambient conditions: 35°CDB |

(4)Cooling: EW 23°C; LW 18°C; ambient conditions: 35°CDB |

(5)According to EN14825 |

(6)For more details, see operation range drawing |

(7)Depends on operation mode, refer to installation manual.

Technical specifications				EBLA09D3V3	EBLA11D3V3	EBLA14D3V3	EBLA16D3V3
Heating capacity	Nom.	kW	9.37 (1) / 9.00 (2)	10.6 (1) / 9.82 (2)	12.0 (1) / 12.5 (2)	16.0 (1) / 16.0 (2)	
	Cooling capacity	Nom.	kW	9.35 (3) / 9.10 (4)	11.6 (3) / 11.5 (4)	12.8 (3) / 12.7 (4)	14.0 (3) / 15.3 (4)
Heater capacity	Step 1	kW	3				
Power input	Cooling	Nom.	kW	2.79 (3) / 1.71 (4)	3.56 (3) / 2.17 (4)	4.06 (3) / 2.51 (4)	4.58 (3) / 3.24 (4)
	Heating	Nom.	kW	1.91 (1) / 2.43 (2)	2.18 (1) / 2.68 (2)	2.46 (1) / 3.42 (2)	3.53 (1) / 4.56 (2)
COP			4.91 (1) / 3.71 (2)	4.83 (1) / 3.66 (2)	4.87 (1) / 3.64 (2)	4.53 (1) / 3.51 (2)	
EER			3.35 (3) / 5.34 (4)	3.26 (3) / 5.31 (4)	3.16 (3) / 5.04 (4)	3.06 (3) / 4.74 (4)	
SEER			5.62 (5)	5.79 (5)	5.71 (5)	5.59 (5)	
Casing	Colour		Silver				
	Material		Polyester painted galvanised steel plate				
Dimensions	Unit	Height	mm	870			
		Width	mm	1,380			
		Depth	mm	460			
	Packed unit	Height	mm	1,053			
		Width	mm	1,500			
Weight	Packed unit	Depth	mm	650			
		Unit	kg	149			
			kg	166			

2 Specifications

1 - 4 EDLA09-16D3W1, EDLA09-16D3V3

Technical specifications				EBLA09D3V3	EBLA11D3V3	EBLA14D3V3	EBLA16D3V3	
Packing	Material	PE wrapping foil / Carton / Wood (pallet)						
	Weight	kg	17					
Heat exchanger	Length	mm	1,136 / 1,166 / 1,195					
	Rows	Quantity	3					
	Fin pitch	mm	1.4					
	Passes	Quantity	14					
	Face area	m ²	0.950 / 0.970 / 1.00					
	Stages	Quantity	38					
	Tube type	7.0 Hi-XD						
	Fin	Type	WF fin					
	Treatment	Anti-corrosion treatment						
Fan	Type	Propeller fan						
	Quantity	1						
	Discharge direction	Horizontal						
	Air flow rate	Heating High	m ³ /min	48.0	55.8	70.4	85.0	
	Cooling High	m ³ /min	63.1	70.4	85.0			
Fan motor	Quantity	1						
	Model	Brushless DC motor						
Fan motor	Speed	Steps	8					
		Heating Nom.	rpm	400	450	550	650	
		Cooling Nom.	rpm	500	550	650		
	Output	W	230					
	Drive	Direct drive						
Compressor	Quantity	1						
	Model	2Y350BPAX1P#C						
	Type	Hermetically sealed swing compressor						
PED	Category	Category II						
	Most critical part	Name	Accumulator					
		Ps*V	Bar*I	159				
Operation range	Heating	Ambient	Min.	°CDB	-25			
			Max.	°CDB	35			
		Water side	Min.	°C	15 (6)			
			Max.	°C	60 (6)			
	Cooling	Ambient	Min.	°CDB	10			
			Max.	°CDB	43			
		Water side	Min.	°C	5			
			Max.	°C	22			
	Domestic hot water	Ambient	Min.	°CDB	-25			
			Max.	°CDB	35			
		Water side	Min.	°C	25			
			Max.	°C	55 (6)			
Refrigerant	Type	R-32						
	GWP	675.0						
	Charge	kg	3.80					
	Charge	TCO2Eq	2.57					
	Control	Expansion valve						
	Circuits	Quantity	1					
Refrigerant oil	Type	FW68DA						
	Charged volume	l	1.35					
Defrost method	Reversed cycle							
Defrost control	Sensor for outdoor heat exchanger temperature							
Capacity control	Method	Inverter controlled						
Safety devices	Item	01	High pressure switch					
		02	Low pressure switch					
		03	Fan driver overload protector					
Safety devices	Item	04	Fuse					
		05	Compressor motor thermal protector					
Pump	Quantity	1						
	Nr of speeds	PWM						
	Nominal	Heating	kPa	106.9	102.7	96.5	71.4	
	ESP unit	Cooling	kPa	107.0	98.4	92.3	85.5	
	Power input	W						
Water side Heat exchanger	Type	Plate heat exchanger						
	Quantity	1						
	Water volume	l						
	Water flow rate	Heating	Nom.	l/min	26.9 (1) / 25.8 (2)	30.3 (1) / 28.2 (2)	34.4 (1) / 35.7 (2)	45.9 (1) / 45.9 (2)
					Cooling	Nom.	l/min	26.8 (3) / 26.1 (4)
	Insulation material	EPDM type						
	Heater	W						
		50.0						

2 Specifications

1 - 4 EDLA09-16D3W1, EDLA09-16D3V3

2

Technical specifications			EBLA09D3V3	EBLA11D3V3	EBLA14D3V3	EBLA16D3V3	
Expansion vessel	Volume	l				8	
	Max. water pressure	bar				4	
	Pre pressure	bar				1	
	Heater	W				65	
Water filter	Diameter perforations	mm				0.8	
	Material					Stainless steel	
Water circuit	Piping connections diameter	inch				G 1" (male)	
	Piping	inch				1-1/4"	
	Piping Max. length	OU - Tank m				10	
	Level Max. difference	m				5	
	Safety valve	bar				3	
	Drain valve / fill valve					Yes	
	Shut off valve					Yes	
	Air purge valve					Yes	
	Minimum water volume in the system	l				20 (7)	
	Heater	W				66.0	
General	Supplier/ Manufacturer details	Name and address Name or trademark	Daikin Europe N.V. - Zandvoordestraat 300, 8400 Oostende, Belgium Daikin Europe N.V.				
	Product description	Air-to-water heat pump				Yes	
		Brine-to-water heat pump				No	
		Heat pump combination heater				No	
		Low-temperature heat pump				No	
	Supplementary heater integrated					Yes	
General	Product description	Water-to-water heat pump				No	
LW(A) Sound power level (according to EN14825)		dB(A)	62.0				
Sound condition Ecodesign and energy label			Sound power in heating mode, measured according to the EN12102 under conditions of the EN14825				
Space heating general	Air to water unit	Rated airflow (outdoor)	m ³ /h	2,880	3,350	4,220	5,100
	Other	Capacity control		Inverter			
		Pck (Crankcase heater mode)	kW	0.000			
		Poff (Off mode)	kW	0.023			
		Psb (Standby mode)	kW	0.023			
		Pto (Thermostat off)	kW	0.023			
	Integrated supplementary	Type of energy input		Electrical			

2 Specifications

1 - 4 EDLA09-16D3W1, EDLA09-16D3V3

Technical specifications			EBLA09D3V3	EBLA11D3V3	EBLA14D3V3	EBLA16D3V3		
Space heating Average climate water outlet 55°C	General	Annual energy consumption kWh	5,404	6,134	6,651	7,359		
		η_s (Seasonal space heating efficiency) %	135	132	134	132		
		Prated at -10°C kW	9.0	10.0	11.0	12.0		
		Qhe Annual energy consumption (GCV) GJ	19	22	24	26		
		SCOP	3.44	3.37	3.42	3.37		
		Seasonal space heating eff. class	A++					
		A Condition (-7°CDB/-8°CWB)	Cdh (Degradation heating)	1.0				
			COPd	2.09	1.90	2.02	1.95	
			Pdh kW	8.5	9.3	9.4		
			PERd %	83.6	76.0	80.8	78.0	
		B Condition (2°CDB/1°CWB)	Cdh (Degradation heating)	1.0				
			COPd	3.28	3.25	3.28	3.27	
			Pdh kW	5.0	5.4	6.2	6.9	
			PERd %	131.2	130.0	131.2	130.8	
		C Condition (7°CDB/6°CWB)	Cdh (Degradation heating)	1.0				
			COPd	4.80	4.81	4.88	4.93	
			Pdh kW	4.4				
			PERd %	192.0	192.4	195.2	197.2	
		D Condition (12°CDB/11°CWB)	Cdh (Degradation heating)	1.0				
			COPd	6.45	6.41	6.58	6.60	
			Pdh kW	5.3				
	PERd %	258.0	256.4	263.2	264.0			
Tol (temperature operating limit)	COPd	1.70	1.64	1.70	1.67			
	Pdh kW	6.8	7.6	7.8	8.0			
	PERd %	68.0	65.6	68.0	66.8			
	TOL °C	-10						
	WTOL °C	55						

2 Specifications

1 - 4 EDLA09-16D3W1, EDLA09-16D3V3

2

Technical specifications			EBLA09D3V3	EBLA11D3V3	EBLA14D3V3	EBLA16D3V3	
Space heating	Average climate water outlet 55°C	Rated heat output	Psup (at Tdesign -10°C) kW	2.2	2.4	3.2	4.1
		Tbiv (bivalent temperature)	COPd	1.92	1.90	2.09	2.13
			Pdh kW	8.8	9.3	9.4	10.1
			PERd %	76.8	76.0	83.6	85.2
			Tbiv °C	-8	-7	-6	-5
	Cold climate water outlet 55°C	General	Annual energy consumption kWh	7,376	8,196	8,808	9,599
			ηs (Seasonal space heating efficiency) %	117		120	
			Prated at -22°C kW	9.0	10.0	11.0	12.0
			Qhe Annual energy consumption (GCV) Gj	27	30	32	35
			Warm climate water outlet 55°C	General	Annual energy consumption kWh	2,820	3,083
	ηs (Seasonal space heating efficiency) %	168			170	172	
	Prated at 2°C kW	9.0			10.0	12.1	
	Qhe Annual energy consumption (GCV) Gj	10			11	13	
	B Condition (2°CDB/1°CWB)	Cdh (Degradation heating)			1.0		
			COPd	2.12	2.18	2.17	
			Pdh kW	9.0	9.8		
			PERd %	84.8	87.2	86.8	
			C Condition (7°CDB/6°CWB)	Cdh (Degradation heating)	1.0		
	COPd	3.65			3.74	3.83	
	Pdh kW	6.2			7.6		
	PERd %	146.0			149.6	153.2	
	D Condition (12°CDB/11°CWB)	Cdh (Degradation heating)			1.0		
			COPd	5.68		5.69	
			Pdh kW	5.0			
			PERd %	227.2			
			Tbiv (bivalent temperature)	COPd	2.12	2.18	2.40
	Pdh kW	9.0			9.8	11.0	
PERd %	84.8	87.2			96.0		
Tbiv °C	2				3		
Average climate water outlet 35°C	General	Annual energy consumption kWh			3,854	4,371	4,838
		ηs (Seasonal space heating efficiency) %	190	186	185		
		Prated at -10°C kW	9.0	10.0	11.0	12.0	
		Qhe Annual energy consumption (GCV) Gj	14	16	17	19	
		SCOP	4.82	4.73	4.70	4.69	
		Seasonal space heating eff. class	A+++				
	A Condition (-7°CDB/-8°CWB)	COPd	3.07	3.03	2.95	2.87	
			Pdh kW	8.5	9.2	10.1	11.2

2 Specifications

1 - 4 EDLA09-16D3W1, EDLA09-16D3V3

Technical specifications				EBLA09D3V3	EBLA11D3V3	EBLA14D3V3	EBLA16D3V3	
Space heating	Average climate water outlet 35°C	A Condition (-7°CDB/-8°CWB)	PERd %	122.8	121.2	118.0	114.8	
		B Condition (2°CDB/1°CWB)	Cdh (Degradation heating)	1.0				
			COPd	4.52	4.37	4.35	4.33	
			Pdh kW	5.5				
			PERd %	180.8	174.8	174.0	173.2	
		C Condition (7°CDB/6°CWB)	Cdh (Degradation heating)	1.0				
			COPd	6.78	6.74	6.70	6.83	
			Pdh kW	4.7	4.6			4.7
			PERd %	271.2	269.6	268.0	273.2	
		D Condition (12°CDB/11°CWB)	Cdh (Degradation heating)	1.0				
			COPd	8.75	8.54	8.65	8.82	
			Pdh kW	5.5	5.4			5.5
			PERd %	350.0	341.6	346.0	352.8	
		Tol (temperature operating limit)	COPd	2.64	2.58	2.51	2.48	
	Pdh kW		8.3	10.1	11.2	11.8		
	PERd %		105.6	103.2	100.4	99.2		
	TOL °C		-10					
	WTOL °C		35					
	Tbiv (bivalent temperature)		COPd	2.75	2.58	2.51	2.48	
	Rated heat output	Pdh kW	8.7	10.1	11.2	11.8		
		PERd %	110.0	103.2	100.4	99.2		
		Tbiv °C	-9					
		Psup (at Tdesign -10°C) kW	0.7	0.0			0.0	
	Cold climate water outlet 35°C	General	Annual energy consumption kWh	5,351	5,732	6,266	7,245	
			ηs (Seasonal space heating efficiency) %	163	169	170	160	
			Prated at -22°C kW	9.0	10.0	11.0	12.0	
			Qhe Annual energy consumption (GCV) GJ	19	21	23	26	
	Warm climate water outlet 35°C	General	Annual energy consumption kWh	1,938	2,128	2,333	2,573	
ηs (Seasonal space heating efficiency) %			243	248	249	246		
Prated at 2°C kW			9.0	10.0	11.0	12.0		
Qhe Annual energy consumption (GCV) GJ			7	8		9		
B Condition (2°CDB/1°CWB)	Cdh (Degradation heating)	1.0						
	COPd	3.36	3.30	3.45	3.30			
	Pdh kW	9.0	10.3	10.8	11.9			
	PERd %	134.4	132.0	138.0	132.0			
C Condition (7°CDB/6°CWB)	Cdh (Degradation heating)	1.0						
	COPd	5.59	5.70	5.77	5.64			
	Pdh kW	5.9	6.7	7.4	8.1			
	PERd %	223.6	228.0	230.8	225.6			
Space heating	Warm climate water outlet 35°C	D Condition (12°CDB/11°CWB)	Cdh (Degradation heating)	1.0				
			COPd	7.87		7.73		
			Pdh kW	5.2				
			PERd %	314.8		309.2		
	Tbiv (bivalent temperature)	COPd	3.36	3.30	3.45	3.30		
		Pdh kW	9.0	10.3	10.8	11.9		
		PERd %	134.4	132.0	138.0	132.0		
		Tbiv °C	2					
Control systems	Class of temperature control			VI				
	Contribution to seasonal space heating efficiency %			4				

Electrical specifications				EBLA09D3V3	EBLA11D3V3	EBLA14D3V3	EBLA16D3V3
Compressor	Starting method			Inverter			
Pump	Type			PWM			
Compressor component	Main power supply	Phase		1~			
		Voltage	V	230			
	Voltage range	Min.	%	-10			
		Max.	%	10			

2 Specifications

1 - 4 EDLA09-16D3W1, EDLA09-16D3V3

2

Electrical specifications				EBLA09D3V3	EBLA11D3V3	EBLA14D3V3	EBLA16D3V3	
Hydraulic component	Back-up heater	Type				3V3		
		Power supply	Phase			1~		
	current	Frequency	Hz			50		
			Voltage	V			230	
		Running current	Back-up heater	A			13.0	
	Voltage range	Min.	%				-10	
		Max.	%				10	
Wiring connections	Type of wires		Select diameter and type according to national and local regulations					
Power supply	Name					V3		
	Phase					1~		
	Frequency	Hz				50		
	Voltage	V				230		
Voltage range	Min.	%				-10		
	Max.	%				10		
Current	Maximum running current	Heating	A			30.8		
	Recommended fuses		A			32		
Wiring connections	Optional domestic hot water tank	Quantity				3G		
		Type of wires				Minimum 2.5 mm ²		
	R5T	Quantity					2	
		Type of wires					Wire included in option EKHWS*	
	For connection with R6T	Quantity					2	
		Remark					Minimum 0.75 mm ²	
	A3P	Quantity					4	
		Type of wires					Select diameter and type according to national and local regulations	
	M2S	Quantity					2	
		Type of wires					Select diameter and type according to national and local regulations	
M3S	Quantity					3		
	Type of wires					Select diameter and type according to national and local regulations		
Wiring connections	For power supply	Quantity				2G		
		Remark				See installation manual outdoor unit		
	For connection with user interface	Quantity					4	
		Remark					0.75 mm ² till 1.25 mm ² (max length 200 m)	
	Preferential kWh rate power supply	Quantity					Power: 2	
		Remark					Power 6.3A	
	Domestic hot water	Quantity					3	
		Remark					Minimum 0.75 mm ²	
	Cable requirements	Cooling/Heating output	Maximum running current	A			0,3	

(1)Condition: Ta DB/WB 7°C/6°C - LWC 35°C (DT = 5°C) |

(2)Condition: Ta DB/WB 7°C/6°C - LWC 45°C (DT=5°C) |

(3)Cooling: EW 12°C; LW 7°C; ambient conditions: 35°CDB |

(4)Cooling: EW 23°C; LW 18°C; ambient conditions: 35°CDB |

(5)According to EN14825 |

(6)For more details, see operation range drawing |

(7)Depends on operation mode, refer to installation manual.

Technical specifications				EDLA09DW1	EDLA11DW1	EDLA14DW1	EDLA16DW1
Heating capacity	Nom.	kW		9.37 (1) / 9.00 (2)	10.6 (1) / 9.82 (2)	12.0 (1) / 12.5 (2)	16.0 (1) / 16.0 (2)
	Heating	Nom.	kW	1.91 (1) / 2.43 (2)	2.18 (1) / 2.68 (2)	2.46 (1) / 3.42 (2)	3.53 (1) / 4.56 (2)
COP				4.91 (1) / 3.71 (2)	4.83 (1) / 3.66 (2)	4.87 (1) / 3.64 (2)	4.53 (1) / 3.51 (2)
Casing	Colour			Silver			
	Material			Polyester painted galvanised steel plate			
Dimensions	Unit	Height	mm	870			
		Width	mm	1,380			
		Depth	mm	460			
	Packed unit	Height	mm	1,053			
		Width	mm	1,500			
		Depth	mm	650			
Weight	Unit	kg	147				
	Packed unit	kg	164				
Packing	Material		PE wrapping foil / Carton / Wood (pallet)				
	Weight	kg	17				

2 Specifications


1 - 4 EDLA09-16D3W1, EDLA09-16D3V3

Technical specifications					EDLA09DW1	EDLA11DW1	EDLA14DW1	EDLA16DW1	
Heat exchanger	Length	mm			1,136 / 1,166 / 1,195				
	Rows	Quantity			3				
	Fin pitch	mm			1.4				
	Passes	Quantity			13				
	Face area	m ²			0.950 / 0.970 / 1.00				
	Stages	Quantity			38				
	Empty tubeplate hole	Quantity			2				
	Tube type				7.0 Hi-XD				
	Fin	Type				WF fin			
		Treatment				Anti-corrosion treatment			
Fan	Type				Propeller fan				
	Quantity				1				
	Discharge direction				Horizontal				
	Air flow rate	Heating	High	m ³ /min	48.0	55.8	70.4	85.0	
Fan motor	Quantity				1				
	Model				Brushless DC motor				
	Speed	Steps			8				
		Heating	Nom.	rpm	400	450	550	650	
	Output	W			234				
Drive				Direct drive					
Compressor	Quantity				1				
Compressor	Model				2Y350BPAY1P#C				
	Type				Hermetically sealed swing compressor				
PED	Category				Category II				
	Most critical part	Name	Ps*V	Bar*I	Accumulator				
					159				
Operation range	Heating	Ambient	Min.	°CDB	-25				
			Max.	°CDB	25 (3)				
		Water side	Min.	°C	9 (3)				
			Max.	°C	60 (3)				
	Domestic hot water	Ambient	Min.	°CDB	-25				
			Max.	°CDB	35				
		Water side	Min.	°C	25				
			Max.	°C	55 (3)				
Refrigerant	Type				R-32				
	GWP				675.0				
	Charge	kg			3.80				
	Charge	TCO ₂ Eq			2.57				
	Control				Expansion valve				
	Circuits	Quantity				1			
Refrigerant oil	Type				FW68DA				
	Charged volume	l			1.35				
Defrost method				Reversed cycle					
Defrost control				Sensor for outdoor heat exchanger temperature					
Capacity control	Method				Inverter controlled				
Safety devices	Item	01				High pressure switch			
		02				Low pressure switch			
		03				Fan driver overload protector			
		04				Fuse			
		05				Compressor motor thermal protector			
Pump	Quantity				1				
	Nr of speeds				PWM				
	Nominal	Heating	kPa		106.5	102.9	97.6	76.7	
	ESP unit								
Power input	W			180					
Water side Heat exchanger	Type				Plate heat exchanger				
	Quantity				1				
	Water volume	l			2.16				
	Water flow rate	Heating	Nom.	l/min	26.9 (1) / 25.8 (2)	30.3 (1) / 28.2 (2)	34.4 (1) / 35.7 (2)	45.9 (1) / 45.9 (2)	
Water side Heat exchanger	Insulation material				EPDM type				
	Heater	W			50.0				
Expansion vessel	Volume	l			8				
	Max. water pressure	bar			4				
	Pre pressure	bar			1				
	Heater	W			65				
Water filter	Diameter perforations	mm			0.8				
	Material				Stainless steel				

2 Specifications

1 - 4 EDLA09-16D3W1, EDLA09-16D3V3

2

Technical specifications				EDLA09DW1	EDLA11DW1	EDLA14DW1	EDLA16DW1	
Water circuit	Piping connections diameter	inch		G 1" (male)				
	Piping	inch		1-1/4"				
	Piping Max. length	OU - Tank	m	10				
	Level Max. difference		m	5				
	Safety valve		bar	3				
	Drain valve / fill valve			Yes				
	Shut off valve			Yes				
	Air purge valve			Yes (Manually)				
	Minimum water volume in the system	l		50 (4)				
	Heater		W	66.0				
General	Supplier/ Manufacturer details	Name and address		Daikin Europe N.V. - Zandvoordestraat 300, 8400 Oostende, Belgium				
		Name or trademark		Daikin Europe N.V.				
	Product description	Air-to-water heat pump		Yes				
		Brine-to-water heat pump		No				
		Heat pump combination heater		No				
		Low-temperature heat pump		No				
		Supplementary heater integrated		No				
Water-to-water heat pump		No						
LW(A) Sound power level (according to EN14825)		dB(A)	62.0					
Sound condition Ecodesign and energy label				Sound power in heating mode, measured according to the EN12102 under conditions of the EN14825				
Space heating general	Air to water unit	Rated airflow (outdoor)	m ³ /h	2,880	3,350	4,220	5,100	
		Other	Capacity control	Inverter				
		Pck (Crankcase heater mode)	kW	0.000				
		Poff (Off mode)	kW	0.023				
		Psb (Standby mode)	kW	0.023				
		Pto (Thermostat off)	kW	0.023				
Space heating 	Average climate water outlet 55°C	General	Annual energy consumption	kWh	5,488	6,218	6,735	7,444
			η _s (Seasonal space heating efficiency)	%	133	130	132	130
			Prated at -10°C	kW	9.0	10.0	11.0	12.0

2 Specifications

1 - 4 EDLA09-16D3W1, EDLA09-16D3V3

Technical specifications			EDLA09DW1	EDLA11DW1	EDLA14DW1	EDLA16DW1	
Space heating 	Average climate water outlet 55°C	General	Qhe Annual energy consumption (GCV)	20	22	24	27
			SCOP	3.39	3.32	3.37	3.33
			Seasonal space heating eff. class	A++			
		A Condition (-7°CDB/-8°CWB)	Cdh (Degradation heating)	1.0			
			COPd	2.09	1.90	2.02	1.95
			Pdh kW	8.5	9.3	9.4	
			PERd %	83.6	76.0	80.8	78.0
		B Condition (2°CDB/1°CWB)	Cdh (Degradation heating)	1.0			
			COPd	3.28	3.25	3.28	3.27
			Pdh kW	5.0	5.4	6.2	6.9
			PERd %	131.2	130.0	131.2	130.8
		C Condition (7°CDB/6°CWB)	Cdh (Degradation heating)	1.0			
			COPd	4.80	4.81	4.88	4.93
			Pdh kW	4.4			
			PERd %	192.0	192.4	195.2	197.2
		D Condition (12°CDB/11°CWB)	Cdh (Degradation heating)	1.0			
			COPd	6.45	6.41	6.58	6.60
			Pdh kW	5.3			
			PERd %	258.0	256.4	263.2	264.0
		Tol (temperature operating limit)	COPd	1.70	1.64	1.70	1.67
			Pdh kW	6.8	7.6	7.8	8.0
			PERd %	68.0	65.6	68.0	66.8
			TOL °C	-10			
			WTOL °C	55			
		Rated heat output	Psup (at Tdesign -10°C) kW	2.2	2.4	3.2	4.1
		Tbiv (bivalent temperature)	COPd	1.92	1.90	2.09	2.13
			Pdh kW	8.8	9.3	9.4	10.1
PERd %	76.8		76.0	83.6	85.2		
Tbiv °C	-8		-7	-6	-5		
Cold climate water outlet 55°C	General	Annual energy consumption kWh	7,142	7,899	8,858	9,561	
		ηs (Seasonal space heating efficiency) %	121	122	119	121	
		Prated at -22°C kW	9.0	10.0	11.0	12.0	
		Qhe Annual energy consumption (GCV) GJ	26	28	32	34	
Warm climate water outlet 55°C	General	Annual energy consumption kWh	2,921	3,184	3,792		
		ηs (Seasonal space heating efficiency) %	162	165	168		
		Prated at 2°C kW	9.0	10.0	12.1		
		Qhe Annual energy consumption (GCV) GJ	11		14		

2 Specifications

1 - 4 EDLA09-16D3W1, EDLA09-16D3V3

2

Technical specifications			EDLA09DW1	EDLA11DW1	EDLA14DW1	EDLA16DW1	
Space heating Warm climate water outlet 55°C	B Condition (2°CDB/1°CWB)	Cdh (Degradation heating)	1.0				
		COPd	2.12	2.18	2.17		
		Pdh kW	9.0	9.8			
		PERd %	84.8	87.2	86.8		
	C Condition (7°CDB/6°CWB)	Cdh (Degradation heating)	1.0				
		COPd	3.65	3.74	3.83		
		Pdh kW	6.2		7.6		
		PERd %	146.0	149.6	153.2		
	D Condition (12°CDB/11°CWB)	Cdh (Degradation heating)	1.0				
		COPd	5.68		5.69		
		Pdh kW	5.0				
		PERd %	227.2		227.6		
	Tbiv (bivalent temperature)	COPd	2.12	2.18	2.40		
		Pdh kW	9.0	9.8	11.0		
		PERd %	84.8	87.2	96.0		
		Tbiv °C	2		3		
	Average climate water outlet 35°C	General	Annual energy consumption kWh	3,939	4,456	4,923	5,366
			ηs (Seasonal space heating efficiency) %	186	182		
			Prated at -10°C kW	9.0	10.0	11.0	12.0
			Qhe Annual energy consumption (GCV) GJ	14	16	18	19
			SCOP	4.72	4.64	4.62	
			Seasonal space heating eff. class	A+++			
		A Condition (-7°CDB/-8°CWB)	COPd	3.07	3.03	2.95	2.87
			Pdh kW	8.5	9.2	10.1	11.2
PERd %			122.8	121.2	118.0	114.8	
B Condition (2°CDB/1°CWB)		Cdh (Degradation heating)	1.0				
	COPd	4.52	4.37	4.35	4.33		
	Pdh kW	4.5	5.5	6.1	6.7		
	PERd %	180.8	174.8	174.0	173.2		
C Condition (7°CDB/6°CWB)	Cdh (Degradation heating)	1.0					
	COPd	6.78	6.74	6.70	6.83		
	Pdh kW	4.7	4.6		4.7		
	PERd %	271.2	269.6	268.0	273.2		
D Condition (12°CDB/11°CWB)	Cdh (Degradation heating)	1.0					
	COPd	8.75	8.54	8.65	8.82		
	Pdh kW	5.5	5.4		5.5		
	PERd %	350.0	341.6	346.0	352.8		

2 Specifications

1 - 4 EDLA09-16D3W1, EDLA09-16D3V3

Technical specifications			EDLA09DW1	EDLA11DW1	EDLA14DW1	EDLA16DW1	
Space heating 	Average climate water outlet 35°C	Tol (temperature operating limit)	COPd	2.64	2.58	2.51	2.48
			Pdh kW	8.3	10.1	11.2	11.8
		PERd %	105.6	103.2	100.4	99.2	
			TOL °C	-10			
		WTOL °C	35				
		Tbiv (bivalent temperature)	COPd	2.75	2.58	2.51	2.48
	Pdh kW			8.7	10.1	11.2	11.8
	PERd %		110.0	103.2	100.4	99.2	
			Tbiv °C	-10			
	Rated heat output	Psup (at Tdesign -10°C) kW	0.7		0.0		
	Cold climate water outlet 35°C	General	Annual energy consumption kWh	5,031	5,783	6,317	7,296
			ηs (Seasonal space heating efficiency) %	173	168	169	159
			Prated at -22°C kW	9.0	10.0	11.0	12.0
			Qhe Annual energy consumption (GCV) GJ	18	21	23	26
	Warm climate water outlet 35°C	General	Annual energy consumption kWh	2,039	2,230	2,435	2,675
			ηs (Seasonal space heating efficiency) %	233	237	238	237
			Prated at 2°C kW	9.0	10.0	11.0	12.0
Qhe Annual energy consumption (GCV) GJ			7	8	9	10	
B Condition (2°CDB/1°CWB)	Cdh (Degradation heating)	1.0					
		COPd	3.36	3.30	3.45	3.30	
		Pdh kW	9.0	10.3	10.8	11.9	
		PERd %	134.4	132.0	138.0	132.0	
C Condition (7°CDB/6°CWB)	Cdh (Degradation heating)	1.0					
		COPd	5.59	5.70	5.77	5.64	
		Pdh kW	5.9	6.7	7.4	8.1	
		PERd %	223.6	228.0	230.8	225.6	
D Condition (12°CDB/11°CWB)	Cdh (Degradation heating)	1.0					
		COPd	7.87		7.73		
		Pdh kW	5.2				
		PERd %	314.8		309.2		
Tbiv (bivalent temperature)	COPd	3.36	3.30	3.45	3.30		
		Pdh kW	9.0	10.3	10.8	11.9	
	PERd %	134.4	132.0	138.0	132.0		
		Tbiv °C	2				
Control systems	Class of temperature control		VI				
	Contribution to seasonal space heating % efficiency		4				

Electrical specifications			EDLA09DW1	EDLA11DW1	EDLA14DW1	EDLA16DW1
Compressor	Starting method		Inverter			
Pump	Type		PWM			
Compressor component	Main power supply	Phase	3N~			
		Voltage	400			
	Voltage range	Min.	-10			
Max.		10				
Power supply	Name		W1			
	Phase		3~			
	Frequency		50			
	Voltage		400			
Voltage range	Min.	-10				
	Max.	10				
Current	Maximum running current Heating	A	14.0			
	Recommended fuses		A	16		

2 Specifications

1 - 4 EDLA09-16D3W1, EDLA09-16D3V3

2

Electrical specifications			EDLA09DW1	EDLA11DW1	EDLA14DW1	EDLA16DW1
Wiring connections	Optional domestic hot water tank	Quantity	3G			
		Type of wires	Minimum 2.5 mm ²			
	R5T	Quantity	2			
		Type of wires	Wire included in option EKHWS*			
	For connection with R6T	Quantity	2			
		Remark	Minimum 0.75 mm ²			
	A3P	Quantity	4			
		Type of wires	Select diameter and type according to national and local regulations			
	M2S	Quantity	2			
		Type of wires	Select diameter and type according to national and local regulations			
	M3S	Quantity	3			
		Type of wires	Select diameter and type according to national and local regulations			
	Quantity	2				
	Type of wires	Wire included in option EKFLSW1				
	For power supply	Quantity	4G			
Remark		See installation manual outdoor unit				
For connection with user interface	Quantity	4				
	Remark	0.75 mm ² till 1.25 mm ² (max length 200 m)				
Preferential kWh rate power supply	Type of wires	0,75 ~1,25 mm ² (P1P2)				
	Quantity	Power: 2				
Domestic hot water pump	Remark	Power 6.3A				
	Quantity	3				
Wiring connections	Domestic hot water pump	Remark	Minimum 0.75 mm ²			
Cable requirements	Cooling/Heating output	Maximum running current	A 0,3			

(1)Condition: Ta DB/WB 7°C/6°C - LWC 35°C (DT = 5°C) |

(2)Condition: Ta DB/WB 7°C/6°C - LWC 45°C (DT=5°C) |

(3)For more details, see operation range drawing |

(4)Depends on operation mode, refer to installation manual. |

Cooling: EW 12°C; LW 7°C; ambient conditions: 35°CDB |

Cooling: EW 23°C; LW 18°C; ambient conditions: 35°CDB |

According to EN14825

Technical specifications				EDLA09DV3	EDLA11DV3	EDLA14DV3	EDLA16DV3	
Heating capacity	Nom.	kW		9.37 (1) / 9.00 (2)	10.6 (1) / 9.82 (2)	12.0 (1) / 12.5 (2)	16.0 (1) / 16.0 (2)	
Power input	Heating	Nom.	kW	1.91 (1) / 2.43 (2)	2.18 (1) / 2.68 (2)	2.46 (1) / 3.42 (2)	3.53 (1) / 4.56 (2)	
COP				4.91 (1) / 3.71 (2)	4.83 (1) / 3.66 (2)	4.87 (1) / 3.64 (2)	4.53 (1) / 3.51 (2)	
Casing	Colour	Silver						
	Material	Polyester painted galvanised steel plate						
Dimensions	Unit	Height	mm	870				
		Width	mm	1,380				
		Depth	mm	460				
	Packed unit	Height	mm	1,053				
		Width	mm	1,500				
	Depth	mm	650					
Weight	Unit	kg	147					
	Packed unit	kg	164					
Packing	Material	PE wrapping foil / Carton / Wood (pallet)						
	Weight	kg	17					
Heat exchanger	Length	mm	1,136 / 1,166 / 1,195					
	Rows	Quantity	3					
	Fin pitch	mm	1.4					
	Passes	Quantity	14					
	Face area	m ²	0.950 / 0.970 / 1.00					
	Stages	Quantity	38					
	Tube type	7.0 Hi-XD						
	Fin	Type	WF fin					
		Treatment	Anti-corrosion treatment					
Fan	Type	Propeller fan						
	Quantity	1						
	Discharge direction	Horizontal						
Air flow rate	Heating	High	m ³ /min	48.0	55.8	70.4	85.0	
Fan motor	Quantity	1						
	Model	Brushless DC motor						
	Speed	Steps	8					
		Heating	Nom.	rpm	400	450	550	650
	Output Drive	W	230				Direct drive	

2 Specifications

1 - 4 EDLA09-16D3W1, EDLA09-16D3V3

Technical specifications				EDLA09DV3	EDLA11DV3	EDLA14DV3	EDLA16DV3	
Compressor	Quantity			1				
	Model			2Y350BPAX1P#C				
Compressor	Type			Hermetically sealed swing compressor				
PED	Category			Category II				
	Most critical part	Name		Accumulator				
		Ps*V	Bar*I	159				
Operation range	Heating	Ambient	Min.	°CDB	-25			
			Max.	°CDB	25 (3)			
		Water side	Min.	°C	9 (3)			
			Max.	°C	60 (3)			
	Domestic hot water	Ambient	Min.	°CDB	-25			
			Max.	°CDB	35			
		Water side	Min.	°C	25			
			Max.	°C	55 (3)			
Refrigerant	Type			R-32				
	GWP			675.0				
	Charge			kg				
	Charge			TCO2Eq				
	Control			Expansion valve				
	Circuits		Quantity	1				
	Type			FW68DA				
Refrigerant oil	Charged volume			l				
				1.35				
Defrost method				Reversed cycle				
Defrost control				Sensor for outdoor heat exchanger temperature				
Capacity control	Method			Inverter controlled				
Safety devices	Item	01		High pressure switch				
		02		Low pressure switch				
		03		Fan driver overload protector				
		04		Fuse				
		05		Compressor motor thermal protector				
Pump	Quantity			1				
	Nr of speeds			PWM				
	Nominal	Heating	kPa	106.5	102.9	97.6	76.7	
	ESP unit							
	Power input			W				
Water side Heat exchanger	Type			Plate heat exchanger				
	Quantity			1				
	Water volume			l				
	Water	Heating	Nom.	l/min	26.9 (1) / 25.8 (2)	30.3 (1) / 28.2 (2)	34.4 (1) / 35.7 (2)	45.9 (1) / 45.9 (2)
	Insulation material			EPDM type				
Water side Heat exchanger	Heater			W				
				50.0				
Expansion vessel	Volume			l				
	Max. water pressure			bar				
	Pre pressure			bar				
	Heater			W				
				65				
Water filter	Diameter perforations			mm				
	Material			Stainless steel				
Water circuit	Piping connections diameter			inch				
	Piping			inch				
	Piping	Max.	OU - Tank	m	10			
	Level difference	Max.		m	5			
	Safety valve			bar				
	Drain valve / fill valve			Yes				
	Shut off valve			Yes				
	Air purge valve			Yes (Manually)				
	Minimum water volume in the system			l				
	Heater			W				
				66.0				
General	Supplier/Manufacturer details	Name and address		Daikin Europe N.V. - Zandvoordestraat 300, 8400 Oostende, Belgium				
		Name or trademark		Daikin Europe N.V.				
	Product description	Air-to-water heat pump			Yes			
		Brine-to-water heat pump			No			
		Heat pump combination heater			No			
		Low-temperature heat pump			No			
		Supplementary heater integrated			No			
Water-to-water heat pump			No					
LW(A) Sound power level (according to EN14825)			dB(A)					
			62.0					
Sound condition Ecodesign and energy label				Sound power in heating mode, measured according to the EN12102 under conditions of the EN14825				

2 Specifications


1 - 4 EDLA09-16D3W1, EDLA09-16D3V3

2

Technical specifications			EDLA09DV3	EDLA11DV3	EDLA14DV3	EDLA16DV3				
Space heating general	Air to water unit	Rated airflow (outdoor)	m ³ /h	2,880	3,350	4,220	5,100			
	Other	Capacity control		Inverter						
		Pck (Crankcase heater mode)	kW	0.000						
		Poff (Off mode)	kW	0.023						
		Psb (Standby mode)	kW	0.023						
		Pto (Thermostat off)	kW	0.023						
Space heating climate water outlet 55°C	Average	General	Annual energy consumption	kWh	5,488	6,218	6,735	7,444		
			ηs (Seasonal space heating efficiency)	%	133	130	132	130		
			Prated at -10°C	kW	9.0	10.0	11.0	12.0		
			Qhe Annual energy consumption (GCV)	Gj	20	22	24	27		
			SCOP		3.39	3.32	3.37	3.33		
Space heating climate water outlet 55°C	Average	General	Seasonal space heating eff. class		A++					
			Cdh (Degradation heating)		1.0					
			A Condition (-7°CDB/-8°CWB)	COPd		2.09	1.90	2.02	1.95	
				Pdh	kW	8.5	9.3	9.4		
				PERd	%	83.6	76.0	80.8	78.0	
			B Condition (2°CDB/1°CWB)	Cdh (Degradation heating)		1.0				
				COPd		3.28	3.25	3.28	3.27	
				Pdh	kW	5.0	5.4	6.2	6.9	
			C Condition (7°CDB/6°CWB)	Cdh (Degradation heating)		1.0				
				COPd		4.80	4.81	4.88	4.93	
				Pdh	kW		4.4			
			D Condition (12°CDB/11°CWB)	Cdh (Degradation heating)		1.0				
				COPd		6.45	6.41	6.58	6.60	
				Pdh	kW		5.3			
			Tol (temperature operating limit)	COPd		1.70	1.64	1.70	1.67	
				Pdh	kW	6.8	7.6	7.8	8.0	
				PERd	%	68.0	65.6	68.0	66.8	
			Rated heat output	TOL		-10				
				WTOL		55				
				Psup (at Tdesign -10°C)	kW	2.2	2.4	3.2	4.1	
			Tbiv (bivalent temperature)	COPd		1.92	1.90	2.09	2.13	
				Pdh	kW	8.8	9.3	9.4	10.1	
				PERd	%	76.8	76.0	83.6	85.2	
				Tbiv	°C	-8	-7	-6	-5	
			Cold climate water outlet 55°C	General	Annual energy consumption	kWh	7,427	8,247	8,858	9,650
					ηs (Seasonal space heating efficiency)	%	117			
					Prated at -22°C	kW	9.0	10.0	11.0	12.0
					Qhe Annual energy consumption (GCV)	Gj	27	30	32	35
Cdh (Degradation heating)		1.0								
Warm climate water outlet 55°C	General	Annual energy consumption	kWh	2,921	3,184	3,792				
		ηs (Seasonal space heating efficiency)	%	162	165	168				
		Prated at 2°C	kW	9.0	10.0	12.1				
		Qhe Annual energy consumption (GCV)	Gj	11		14				
		Cdh (Degradation heating)		1.0						

2 Specifications

1 - 4 EDLA09-16D3W1, EDLA09-16D3V3

Technical specifications				EDLA09DV3	EDLA11DV3	EDLA14DV3	EDLA16DV3	
Space heating 	Warm climate water outlet 55°C	B Condition (2°CDB/1°CWB)	COPd	2.12	2.18	2.17		
			Pdh kW	9.0	9.8			
			PERd %	84.8	87.2	86.8		
		C Condition (7°CDB/6°CWB)	Cdh (Degradation heating)	1.0				
			COPd	3.65	3.74	3.83		
			Pdh kW	6.2		7.6		
		D Condition (12°CDB/11°CWB)	Cdh (Degradation heating)	1.0				
			COPd	5.68		5.69		
			Pdh kW	5.0			5.69	
		Tbiv (bivalent temperature)	COPd	2.12	2.18	2.40		
	Pdh kW		9.0	9.8	11.0			
	PERd %		84.8	87.2	96.0			
	Average climate water outlet 35°C	General	Annual energy consumption kWh	3,939	4,456	4,923	5,366	
			ηs (Seasonal space heating efficiency) %	186	182			
			Prated at -10°C kW	9.0	10.0	11.0	12.0	
			Qhe Annual energy consumption (GCV) GJ	14	16	18	19	
			SCOP	4.72	4.64	4.62		
			Seasonal space heating eff. class	A+++				
		A Condition (-7°CDB/-8°CWB)	COPd	3.07	3.03	2.95	2.87	
			Pdh kW	8.5	9.2	10.1	11.2	
PERd %			122.8	121.2	118.0	114.8		
B Condition (2°CDB/1°CWB)		Cdh (Degradation heating)	1.0					
	COPd	4.52	4.37	4.35	4.33			
	Pdh kW	4.5	5.5	6.1	6.7			
	PERd %	180.8	174.8	174.0	173.2			
C Condition (7°CDB/6°CWB)	Cdh (Degradation heating)	1.0						
	COPd	6.78	6.74	6.70	6.83			
	Pdh kW	4.7	4.6		4.7			
	PERd %	271.2	269.6	268.0	273.2			
D Condition (12°CDB/11°CWB)	Cdh (Degradation heating)	1.0						
	COPd	8.75	8.54	8.65	8.82			
	Pdh kW	5.5	5.4		5.5			
	PERd %	350.0	341.6	346.0	352.8			
Tol (temperature operating limit)	COPd	2.64	2.58	2.51	2.48			

2 Specifications

1 - 4 EDLA09-16D3W1, EDLA09-16D3V3

2

Technical specifications				EDLA09DV3	EDLA11DV3	EDLA14DV3	EDLA16DV3	
Space heating climate water outlet 35°C	Average Tol (temperature operating limit)	Pdh	kW	8.3	10.1	11.2	11.8	
		PERd	%	105.6	103.2	100.4	99.2	
		TOL	°C			-10		
		WTOL	°C			35		
	Tbiv (bivalent temperature)	COPd		2.75	2.58	2.51	2.48	
		Pdh	kW	8.7	10.1	11.2	11.8	
		PERd	%	110.0	103.2	100.4	99.2	
		Tbiv	°C	-9		-10		
	Rated heat output	Psup (at Tdesign -10°C)		0.7		0.0		
	Cold climate water outlet 35°C	General	Annual energy consumption	kWh	5,402	5,783	6,317	7,296
			ηs (Seasonal space heating efficiency)	%	161	168	169	159
			Prated at -22°C	kW	10.0		11.0	12.0
			Qhe Annual energy consumption (GCV)	Gj	19	21	23	26
	Warm climate water outlet 35°C	General	Annual energy consumption	kWh	2,039	2,230	2,435	2,675
			ηs (Seasonal space heating efficiency)	%	233	237	238	237
			Prated at 2°C	kW	9.0	10.0	11.0	12.0
			Qhe Annual energy consumption (GCV)	Gj	7	8	9	10
	B Condition (2°CDB/1°CWB)	Cdh (Degradation heating)			1.0			
COPd				3.36	3.30	3.45	3.30	
Pdh			kW	9.0	10.3	10.8	11.9	
PERd			%	134.4	132.0	138.0	132.0	
C Condition (7°CDB/6°CWB)	Cdh (Degradation heating)			1.0				
		COPd		5.59	5.70	5.77	5.64	
		Pdh	kW	5.9	6.7	7.4	8.1	
		PERd	%	223.6	228.0	230.8	225.6	
D Condition (12°CDB/11°CWB)	Cdh (Degradation heating)			1.0				
		COPd		7.87		7.73		
		Pdh	kW	5.2				
		PERd	%	314.8		309.2		
Tbiv (bivalent temperature)	COPd		3.36	3.30	3.45	3.30		
	Pdh	kW	9.0	10.3	10.8	11.9		
	PERd	%	134.4	132.0	138.0	132.0		
	Tbiv	°C			2			
Control systems	Class of temperature control				VI			
	Contribution to seasonal space heating efficiency				4			

Electrical specifications				EDLA09DV3	EDLA11DV3	EDLA14DV3	EDLA16DV3
Compressor	Starting method			Inverter			
Pump	Type			PWM			
Compressor component	Main power supply	Phase		1~			
		Voltage	V	230			
	Voltage range	Min.	%	-10			
		Max.	%	10			
Power supply	Name			V3			
	Phase			1~			
	Frequency			50			
Voltage range	Voltage			230			
	Min.			-10			
	Max.			10			
Current	Maximum running current	Heating	A	30.8			
	Recommended fuses			A			

2 Specifications

1 - 4 EDLA09-16D3W1, EDLA09-16D3V3

Electrical specifications			EDLA09DV3	EDLA11DV3	EDLA14DV3	EDLA16DV3
Wiring connections	Optional domestic hot water tank	Quantity	3G			
		Type of wires	Minimum 2.5 mm ²			
	R5T	Quantity	2			
		Type of wires	Wire included in option EKHWS*			
	For connection with R6T	Quantity	2			
		Remark	Minimum 0.75 mm ²			
	A3P	Quantity	4			
		Type of wires	Select diameter and type according to national and local regulations			
	M2S	Quantity	2			
		Type of wires	Select diameter and type according to national and local regulations			
	M3S	Quantity	3			
		Type of wires	Select diameter and type according to national and local regulations			
	Quantity		2			
	Type of wires		Wire included in option EKFLSW1			
	For power supply	Quantity	2G			
		Remark	See installation manual outdoor unit			
For connection with user interface	Quantity	4				
	Remark	0.75 mm ² till 1.25 mm ² (max length 200 m)				
Preferential kWh rate power supply	Type of wires	0,75 ~1,25 mm ² (P1P2)				
	Quantity	Power: 2				
Domestic hot water pump	Remark	Power 6.3A				
	Quantity	3				
Wiring connections	Domestic hot water pump	Remark	Minimum 0.75 mm ²			
Cable requirements	Cooling/Heating output	Maximum running current A	0,3			

(1)Condition: Ta DB/WB 7°C/6°C - LWC 35°C (DT = 5°C) |
 (2)Condition: Ta DB/WB 7°C/6°C - LWC 45°C (DT=5°C) |
 (3)For more details, see operation range drawing |
 (4)Depends on operation mode, refer to installation manual. |
 Cooling: EW 12°C; LW 7°C; ambient conditions: 35°CDB |
 Cooling: EW 23°C; LW 18°C; ambient conditions: 35°CDB |
 According to EN14825

Technical specifications				EDLA09D3W1	EDLA11D3W1	EDLA14D3W1	EDLA16D3W1	
Heating capacity	Nom.		kW	9.37 (1) / 9.00 (2)	10.6 (1) / 9.82 (2)	12.0 (1) / 12.5 (2)	16.0 (1) / 16.0 (2)	
Heater capacity	Step 1		kW	3				
Power input	Heating	Nom.	kW	1.91 (1) / 2.43 (2)	2.18 (1) / 2.68 (2)	2.46 (1) / 3.42 (2)	3.53 (1) / 4.56 (2)	
COP				4.91 (1) / 3.71 (2)	4.83 (1) / 3.66 (2)	4.87 (1) / 3.64 (2)	4.53 (1) / 3.51 (2)	
Casing	Colour	Silver						
	Material	Polyester painted galvanised steel plate						
Dimensions	Unit	Height	mm	870				
		Width	mm	1,380				
		Depth	mm	460				
	Packed unit	Height	mm	1,053				
		Width	mm	1,500				
		Depth	mm	650				
Weight	Unit		kg	149				
	Packed unit		kg	166				
Packing	Material	PE wrapping foil / Carton / Wood (pallet)						
	Weight		kg	17				
Heat exchanger	Length		mm	1,136 / 1,166 / 1,195				
	Rows	Quantity		3				
	Fin pitch		mm	1.4				
	Passes	Quantity		13				
	Face area		m ²	0.950 / 0.970 / 1.00				
	Stages	Quantity		38				
	Empty tubeplate hole	Quantity		2				
	Tube type			7.0 Hi-XD				
	Fin	Type			WF fin			
		Treatment			Anti-corrosion treatment			
Fan	Type			Propeller fan				
	Quantity			1				
	Discharge direction			Horizontal				
	Air flow rate	Heating High	m ³ /min	48.0	55.8	70.4	85.0	

2 Specifications

1 - 4 EDLA09-16D3W1, EDLA09-16D3V3

2

Technical specifications					EDLA09D3W1	EDLA11D3W1	EDLA14D3W1	EDLA16D3W1	
Fan motor	Quantity				1				
	Model				Brushless DC motor				
	Speed	Steps			8				
		Heating	Nom.	rpm	400	450	550	650	
	Output				234				
Drive				Direct drive					
Compressor	Quantity				1				
	Model				2Y350BPAY1P#C				
	Type				Hermetically sealed swing compressor				
PED	Category				Category II				
	Most critical part	Name				Accumulator			
		Ps*V	Bar*I			159			
Operation range	Heating	Ambient	Min.	°CDB	-25				
			Max.	°CDB	35				
	Water side	Min.	°C		15 (3)				
			Max.	°C	60 (3)				
	Domestic hot water	Ambient	Min.	°CDB	-25				
			Max.	°CDB	35				
	Water side	Min.	°C		25				
Max.			°C	55 (3)					
Refrigerant	Type				R-32				
	GWP				675.0				
	Charge		kg		3.80				
	Charge		TCO2Eq		2.57				
	Control				Expansion valve				
	Circuits	Quantity				1			
Type				FW68DA					
Charged volume		l		1.35					
Defrost method				Reversed cycle					
Defrost control				Sensor for outdoor heat exchanger temperature					
Capacity control		Method		Inverter controlled					
Safety devices	Item	01			High pressure switch				
		02			Low pressure switch				
		03			Fan driver overload protector				
		04			Fuse				
		05			Compressor motor thermal protector				
Pump	Quantity				1				
	Nr of speeds				PWM				
	Nominal	Heating	kPa	106.9	102.7	96.5	71.4		
		ESP unit			180				
Power input		W		180					
Water side Heat exchanger	Type				Plate heat exchanger				
	Quantity				1				
	Water volume		l		2.16				
Water side Heat exchanger	Water	Heating	Nom.	l/min	26.9 (1) / 25.8 (2)	30.3 (1) / 28.2 (2)	34.4 (1) / 35.7 (2)	45.9 (1) / 45.9 (2)	
					Insulation material				EPDM type
	Heater		W		50.0				
Expansion vessel	Volume		l		8				
	Max. water pressure		bar		4				
	Pre pressure		bar		1				
	Heater		W		65				
Water filter	Diameter perforations		mm		0.8				
	Material				Stainless steel				
Water circuit	Piping connections diameter		inch		G 1" (male)				
	Piping		inch		1-1/4"				
	Piping	Max.	OU - Tank	length	m	10			
						Level difference	Max.	m	5
	Safety valve		bar		3				
	Drain valve / fill valve				Yes				
	Shut off valve				Yes				
	Air purge valve				Yes				
	Minimum water volume in the system		l		20 (4)				
	Heater		W		66.0				

2 Specifications

1 - 4 EDLA09-16D3W1, EDLA09-16D3V3

Technical specifications			EDLA09D3W1	EDLA11D3W1	EDLA14D3W1	EDLA16D3W1			
General	Supplier/Manufacturer	Name and address	Daikin Europe N.V. - Zandvoordestraat 300, 8400 Oostende, Belgium						
		Name or trademark	Daikin Europe N.V.						
	Product description	Air-to-water heat pump	Yes						
		Brine-to-water heat pump	No						
		Heat pump combination heater	No						
		Low-temperature heat pump	No						
		Supplementary heater integrated	Yes						
	Water-to-water heat pump	No							
LW(A) Sound power level (according to EN14825)		dB(A)	62.0						
Sound condition Ecodesign and energy label			Sound power in heating mode, measured according to the EN12102 under conditions of the EN14825						
Space heating general	Air to water unit	Rated airflow (outdoor)	m ³ /h	2,880	3,350	4,220	5,100		
		Other	Capacity control	Inverter					
		Pck (Crankcase heater mode)	kW	0.000					
		Poff (Off mode)	kW	0.023					
		Psb (Standby mode)	kW	0.023					
		Pto (Thermostat off)	kW	0.023					
	Integrated supplementary	Type of energy input	Electrical						
Space heating	Average climate water outlet	General	Annual energy consumption kWh	5,488	6,218	6,735	7,444		
Space heating Average climate water outlet 55°C	General	ηs (Seasonal space heating efficiency)	Prated at -10°C	%	133	130	132	130	
			Qhe Annual energy consumption (GCV)	Gj	20	22	24	27	
			SCOP		3.39	3.32	3.37	3.33	
			Seasonal space heating eff. class		A++				
			A Condition (-7°CDB/-8°CWB)	Cdh (Degradation heating)		1.0			
		COPd		2.09	1.90	2.02	1.95		
			Pdh	kW	8.5	9.3	9.4		
			PERd	%	83.6	76.0	80.8	78.0	
		B Condition (2°CDB/1°CWB)	Cdh (Degradation heating)		1.0				
			COPd		3.28	3.25	3.28	3.27	
			Pdh	kW	5.0	5.4	6.2	6.9	
		PERd		131.2	130.0	131.2	130.8		
			C Condition (7°CDB/6°CWB)	Cdh (Degradation heating)		1.0			
				COPd		4.80	4.81	4.88	4.93
		Pdh		kW		4.4			
PERd	%	192.0	192.4	195.2	197.2				
D Condition (12°CDB/11°CWB)	Cdh (Degradation heating)		1.0						
	COPd		6.45	6.41	6.58	6.60			
	Pdh	kW		5.3					
PERd		258.0	256.4	263.2	264.0				
	Tol (temperature operating limit)	COPd		1.70	1.64	1.70	1.67		
		Pdh	kW	6.8	7.6	7.8	8.0		
PERd		%	68.0	65.6	68.0	66.8			
TOL		°C	-10						
	WTOL	°C	55						
Rated heat output	Tbiv (bivalent temperature)	Psup (at Tdesign -10°C)	kW	2.2	2.4	3.2	4.1		
		COPd		1.92	1.90	2.09	2.13		
		Pdh	kW	8.8	9.3	9.4	10.1		
		PERd	%	76.8	76.0	83.6	85.2		
		Tbiv	°C	-8	-7	-6	-5		
Cold climate water outlet 55°C	General	Annual energy consumption	kWh	7,142	7,899	8,858	9,561		
		ηs (Seasonal space heating efficiency)	%	121	122	119	121		
		Prated at -22°C	kW	9.0	10.0	11.0	12.0		
		Qhe Annual energy consumption (GCV)	Gj	26	28	32	34		
		Warm climate water outlet 55°C	General	Annual energy consumption	kWh	2,921	3,184	3,792	
ηs (Seasonal space heating efficiency)	%			162	165	168			

2 Specifications

1 - 4 EDLA09-16D3W1, EDLA09-16D3V3

2

Technical specifications				EDLA09D3W1	EDLA11D3W1	EDLA14D3W1	EDLA16D3W1		
Space heating	Warm climate water outlet 55°C	General	Prated at 2°C	kW	9.0	10.0	12.1		
			Qhe Annual energy consumption (GCV)	Gj	11		14		
		B Condition (2°CDB/1°CWB)	Cdh (Degradation heating)			1.0			
			COPd		2.12	2.18	2.17		
			Pdh	kW	9.0	9.8			
			PERd	%	84.8	87.2	86.8		
		C Condition (7°CDB/6°CWB)	Cdh (Degradation heating)			1.0			
			COPd		3.65	3.74	3.83		
			Pdh	kW	6.2		7.6		
			PERd	%	146.0	149.6	153.2		
		D Condition (12°CDB/11°CWB)	Cdh (Degradation heating)			1.0			
			COPd		5.68		5.69		
			Pdh	kW	5.0				
			PERd	%	227.2		227.6		
		Tbiv (bivalent temperature)	COPd			2.12	2.18	2.40	
			Pdh	kW	9.0	9.8	11.0		
			PERd	%	84.8	87.2	96.0		
			Tbiv	°C	2		3		
		Average climate water outlet 35°C	General	Annual energy consumption	kWh	3,939	4,456	4,923	5,366
				ηs (Seasonal space heating efficiency)	%	186	182		
Prated at -10°C	kW		9.0	10.0	11.0	12.0			
Qhe Annual energy consumption (GCV)	Gj		14	16	18	19			
SCOP			4.72	4.64	4.62				
Seasonal space heating eff. class			A+++						
A Condition (-7°CDB/-8°CWB)	COPd			3.07	3.03	2.95	2.87		
	Pdh		kW	8.5	9.2	10.1	11.2		
B Condition (2°CDB/1°CWB)	PERd			122.8	121.2	118.0	114.8		
	Cdh (Degradation heating)			1.0					
	COPd		4.52	4.37	4.35	4.33			
	Pdh	kW	4.5	5.5	6.1	6.7			
C Condition (7°CDB/6°CWB)	PERd			180.8	174.8	174.0	173.2		
	Cdh (Degradation heating)			1.0					
	COPd		6.78	6.74	6.70	6.83			
	Pdh	kW	4.7	4.6	4.7				
D Condition (12°CDB/11°CWB)	PERd			271.2	269.6	268.0	273.2		
	Cdh (Degradation heating)			1.0					
COPd			8.75	8.54	8.65	8.82			

2 Specifications

1 - 4 EDLA09-16D3W1, EDLA09-16D3V3

Technical specifications				EDLA09D3W1	EDLA11D3W1	EDLA14D3W1	EDLA16D3W1	
Space heating 	Average climate water outlet 35°C	D Condition (12°CDB/11°CWB)	Pdh	kW	5.5	5.4		5.5
			PERd	%	350.0	341.6	346.0	352.8
		Tol (temperature operating limit)	COPd		2.64	2.58	2.51	2.48
			Pdh	kW	8.3	10.1	11.2	11.8
		PERd	%	105.6	103.2	100.4	99.2	
		TOL	°C				-10	
	Tbiv (bivalent temperature)	WTOL	°C				35	
		COPd		2.75	2.58	2.51	2.48	
		Pdh	kW	8.7	10.1	11.2	11.8	
		PERd	%	110.0	103.2	100.4	99.2	
	Rated heat output	Tbiv	°C	-9		-10		
		Psup (at Tdesign -10°C)	kW	0.7		0.0		
	Cold climate water outlet 35°C	General	Annual energy consumption	kWh	5,031	5,783	6,317	7,296
			ηs (Seasonal space heating efficiency)	%	173	168	169	159
			Prated at -22°C	kW	9.0	10.0	11.0	12.0
Qhe Annual energy consumption (GCV)			Gj	18	21	23	26	
Warm climate water outlet 35°C	General	Annual energy consumption	kWh	2,039	2,230	2,435	2,675	
		ηs (Seasonal space heating efficiency)	%	233	237	238	237	
		Prated at 2°C	kW	9.0	10.0	11.0	12.0	
		Qhe Annual energy consumption (GCV)	Gj	7	8	9	10	
B Condition (2°CDB/1°CWB)	Cdh (Degradation heating)				1.0			
		COPd		3.36	3.30	3.45	3.30	
		Pdh	kW	9.0	10.3	10.8	11.9	
		PERd	%	134.4	132.0	138.0	132.0	
C Condition (7°CDB/6°CWB)	Cdh (Degradation heating)				1.0			
		COPd		5.59	5.70	5.77	5.64	
		Pdh	kW	5.9	6.7	7.4	8.1	
		PERd	%	223.6	228.0	230.8	225.6	
D Condition (12°CDB/11°CWB)	Cdh (Degradation heating)				1.0			
		COPd		7.87		7.73		
		Pdh	kW	5.2				
		PERd	%	314.8		309.2		
Tbiv (bivalent temperature)	COPd		3.36	3.30	3.45	3.30		
		Pdh	kW	9.0	10.3	10.8	11.9	
		PERd	%	134.4	132.0	138.0	132.0	
		Tbiv	°C				2	
Control systems	Class of temperature control				VI			
Control systems	Contribution to seasonal space heating efficiency				4			

Electrical specifications				EDLA09D3W1	EDLA11D3W1	EDLA14D3W1	EDLA16D3W1	
Compressor	Starting method			Inverter				
Pump	Type			PWM				
Compressor component	Main power supply	Phase		3N~				
		Voltage	V	400				
	Voltage range	Min.	%	-10				
Hydraulic component	Back-up heater current	Max.	%	10				
		Type		3V3				
	Power supply	Phase		1~				
		Frequency	Hz	50				
		Voltage	V	230				
	Voltage range	Back-up heater	A	13.0				
Min.		%	-10					
Wiring connections	Max.	%	10					
	Type of wires	Select diameter and type according to national and local regulations						
Power supply	Name				W1			
	Phase				3~			
	Frequency	Hz				50		
	Voltage	V				400		

2 Specifications

1 - 4 EDLA09-16D3W1, EDLA09-16D3V3

2

Electrical specifications				EDLA09D3W1	EDLA11D3W1	EDLA14D3W1	EDLA16D3W1	
Voltage range	Min.		%				-10	
	Max.		%				10	
Current	Maximum running current	Heating	A				14.0	
		Recommended fuses	A				16	
Wiring connections	Optional domestic hot water tank	Quantity					3G	
		Type of wires					Minimum 2.5 mm ²	
	R5T	Quantity					2	
		Type of wires					Wire included in option EKHWS*	
	For connection with R6T	Quantity					2	
		Remark					Minimum 0.75 mm ²	
	A3P	Quantity					4	
		Type of wires					Select diameter and type according to national and local regulations	
	M2S	Quantity					2	
		Type of wires					Select diameter and type according to national and local regulations	
M3S	Quantity					3		
	Type of wires					Select diameter and type according to national and local regulations		
Wiring connections	For power supply	Quantity					4G	
		Remark					See installation manual outdoor unit	
	For connection with user interface	Quantity					4	
		Remark					0.75 mm ² till 1.25 mm ² (max length 200 m)	
	Preferential kWh rate power supply	Quantity					Power: 2	
		Remark					Power 6.3A	
	Domestic hot water	Quantity					3	
		Remark					Minimum 0.75 mm ²	
	Cable requirements	Cooling/Heating output	Maximum running current	A				0,3

(1)Condition: Ta DB/WB 7°C/6°C - LWC 35°C (DT = 5°C) |

(2)Condition: Ta DB/WB 7°C/6°C - LWC 45°C (Dt=5°C) |

(3)For more details, see operation range drawing |

(4)Depends on operation mode, refer to installation manual. |

Cooling: EW 12°C; LW 7°C; ambient conditions: 35°CDB |

Cooling: EW 23°C; LW 18°C; ambient conditions: 35°CDB |

According to EN14825

Technical specifications				EDLA09D3V3	EDLA11D3V3	EDLA14D3V3	EDLA16D3V3	
Heating capacity	Nom.		kW	9.37 (1) / 9.00 (2)	10.6 (1) / 9.82 (2)	12.0 (1) / 12.5 (2)	16.0 (1) / 16.0 (2)	
Heater capacity	Step 1		kW				3	
Power input	Heating	Nom.	kW	1.91 (1) / 2.43 (2)	2.18 (1) / 2.68 (2)	2.46 (1) / 3.42 (2)	3.53 (1) / 4.56 (2)	
COP				4.91 (1) / 3.71 (2)	4.83 (1) / 3.66 (2)	4.87 (1) / 3.64 (2)	4.53 (1) / 3.51 (2)	
Casing	Colour						Silver	
	Material						Polyester painted galvanised steel plate	
Dimensions	Unit	Height	mm				870	
		Width	mm				1,380	
		Depth	mm				460	
	Packed unit	Height	mm				1,053	
		Width	mm				1,500	
		Depth	mm				650	
Weight	Unit		kg				149	
	Packed unit		kg				166	
Packing	Material						PE wrapping foil / Carton / Wood (pallet)	
	Weight		kg				17	
Heat exchanger	Length		mm				1,136 / 1,166 / 1,195	
		Rows	Quantity				3	
	Fin pitch		mm				1.4	
	Passes	Quantity					14	
	Face area		m ²				0.950 / 0.970 / 1.00	
	Stages	Quantity					38	
	Tube type						7.0 Hi-XD	
	Fin	Type						WF fin
		Treatment						Anti-corrosion treatment
Fan	Type						Propeller fan	
	Quantity						1	
	Discharge direction						Horizontal	
	Air flow rate	Heating	High	m ³ /min	48.0	55.8	70.4	85.0

2 Specifications

1 - 4 EDLA09-16D3W1, EDLA09-16D3V3

Technical specifications					EDLA09D3V3	EDLA11D3V3	EDLA14D3V3	EDLA16D3V3	
Fan motor	Quantity				1				
	Model				Brushless DC motor				
	Speed	Steps			8				
		Heating	Nom.	rpm	400	450	550	650	
	Output				230				
Drive				Direct drive					
Compressor	Quantity				1				
Compressor	Model				2Y350BPAX1P#C				
	Type				Hermetically sealed swing compressor				
PED	Category				Category II				
	Most critical part	Name				Accumulator			
		Ps*V	Bar*I			159			
Operation range	Heating	Ambient	Min.	°CDB	-25				
			Max.	°CDB	35				
	Water side	Min.	°C		15 (3)				
			Max.	°C	60 (3)				
	Domestic hot water	Ambient	Min.	°CDB	-25				
			Max.	°CDB	35				
	Water side	Min.	°C		25				
Max.			°C	55 (3)					
Refrigerant	Type				R-32				
	GWP				675.0				
	Charge		kg		3.80				
	Charge		TCO2Eq		2.57				
	Control				Expansion valve				
	Circuits	Quantity				1			
Type				FW68DA					
Refrigerant oil	Charged volume		l		1.35				
Defrost method					Reversed cycle				
Defrost control					Sensor for outdoor heat exchanger temperature				
Capacity control	Method				Inverter controlled				
Safety devices	Item	01			High pressure switch				
		02			Low pressure switch				
		03			Fan driver overload protector				
		04			Fuse				
		05			Compressor motor thermal protector				
Pump	Quantity				1				
	Nr of speeds				PWM				
	Nominal	Heating	kPa	106.9	102.7	96.5	71.4		
		ESP unit			180				
Power input		W							
Water side Heat exchanger	Type				Plate heat exchanger				
	Quantity				1				
	Water volume		l		2.16				
	Water flow rate	Heating	Nom.	l/min	26.9 (1) / 25.8 (2)	30.3 (1) / 28.2 (2)	34.4 (1) / 35.7 (2)	45.9 (1) / 45.9 (2)	
Insulation material						EPDM type			
Water side Heat exchanger	Heater		W		50.0				
Expansion vessel	Volume		l		8				
	Max. water pressure		bar		4				
	Pre pressure		bar		1				
	Heater		W		65				
Water filter	Diameter perforations		mm		0.8				
	Material				Stainless steel				
Water circuit	Piping connections diameter		inch		G 1" (male)				
	Piping		inch		1-1/4"				
	Piping length	Max.	OU - Tank	m	10				
				Level difference	Max.		m		5
	Safety valve		bar		3				
	Drain valve / fill valve				Yes				
	Shut off valve				Yes				
	Air purge valve				Yes				
	Minimum water volume in the system		l		20 (4)				
	Heater		W		66.0				

2 Specifications

1 - 4 EDLA09-16D3W1, EDLA09-16D3V3

2

Technical specifications			EDLA09D3V3	EDLA11D3V3	EDLA14D3V3	EDLA16D3V3			
General	Supplier/Manufacturer	Name and address	Daikin Europe N.V. - Zandvoordestraat 300, 8400 Oostende, Belgium						
		Name or trademark	Daikin Europe N.V.						
	Product description	Air-to-water heat pump	Yes						
		Brine-to-water heat pump	No						
		Heat pump combination heater	No						
		Low-temperature heat pump	No						
		Supplementary heater integrated	Yes						
	Water-to-water heat pump	No							
LW(A) Sound power level (according to EN14825)		dB(A)	62.0						
Sound condition Ecodesign and energy label			Sound power in heating mode, measured according to the EN12102 under conditions of the EN14825						
Space heating general	Air to water unit	Rated airflow (outdoor)	m ³ /h	2,880	3,350	4,220	5,100		
	Other	Capacity control		Inverter					
		Pck (Crankcase heater mode)	kW	0.000					
		Poff (Off mode)	kW	0.023					
		Psb (Standby mode)	kW	0.023					
		Pto (Thermostat off)	kW	0.023					
	Integrated supplementary	Type of energy input		Electrical					
Space heating	Average climate water outlet 55°C	General	Annual energy consumption	kWh	5,488	6,218	6,735	7,444	
			ηs (Seasonal space heating efficiency)	%	133	130	132	130	
			Prated at -10°C	kW	9.0	10.0	11.0	12.0	
Space heating	Average climate water outlet 55°C	General	Qhe Annual energy consumption (GCV)	Gj	20	22	24	27	
			SCOP		3.39	3.32	3.37	3.33	
			Seasonal space heating eff. class		A++				
			A Condition (-7°CDB/-8°CWB)		1.0				
			Cdh (Degradation heating)	COPd		2.09	1.90	2.02	1.95
				Pdh	kW	8.5	9.3	9.4	9.4
				PERd	%	83.6	76.0	80.8	78.0
			B Condition (2°CDB/1°CWB)		1.0				
			Cdh (Degradation heating)	COPd		3.28	3.25	3.28	3.27
				Pdh	kW	5.0	5.4	6.2	6.9
				PERd	%	131.2	130.0	131.2	130.8
			C Condition (7°CDB/6°CWB)		1.0				
			Cdh (Degradation heating)	COPd		4.80	4.81	4.88	4.93
				Pdh	kW			4.4	
				PERd	%	192.0	192.4	195.2	197.2
			D Condition (12°CDB/11°CWB)		1.0				
			Cdh (Degradation heating)	COPd		6.45	6.41	6.58	6.60
				Pdh	kW			5.3	
				PERd	%	258.0	256.4	263.2	264.0
			Tol (temperature operating limit)	COPd		1.70	1.64	1.70	1.67
				Pdh	kW	6.8	7.6	7.8	8.0
PERd	%	68.0		65.6	68.0	66.8			
TOL	°C	-10							
	WTOL	°C	55						
Rated heat output	Tbiv (bivalent temperature)	General	Psup (at Tdesign -10°C)	kW	2.2	2.4	3.2	4.1	
			COPd		1.92	1.90	2.09	2.13	
			Pdh	kW	8.8	9.3	9.4	10.1	
			PERd	%	76.8	76.0	83.6	85.2	
			Tbiv	°C	-8	-7	-6	-5	
Cold climate water outlet 55°C	General	Annual energy consumption	ηs (Seasonal space heating efficiency)	%	117				
			Prated at -22°C	kW	9.0	10.0	11.0	12.0	
			Qhe Annual energy consumption (GCV)	Gj	27	30	32	35	
			Annual energy consumption	kWh	2,921	3,184	3,792		
			ηs (Seasonal space heating efficiency)	%	162	165	168		
Warm climate water outlet 55°C	General	Prated at 2°C	kW	9.0	10.0	12.1			

2 Specifications

1 - 4 EDLA09-16D3W1, EDLA09-16D3V3

Technical specifications			EDLA09D3V3	EDLA11D3V3	EDLA14D3V3	EDLA16D3V3		
Space heating	Warm climate water outlet 55°C	General	Qhe Annual energy consumption (GCV)	11		14		
		B Condition (2°CDB/1°CWB)	Cdh (Degradation heating)	1.0				
			COPd	2.12	2.18	2.17		
			Pdh kW	9.0	9.8			
			PERd %	84.8	87.2	86.8		
		C Condition (7°CDB/6°CWB)	Cdh (Degradation heating)	1.0				
			COPd	3.65	3.74	3.83		
			Pdh kW	6.2		7.6		
			PERd %	146.0	149.6	153.2		
		D Condition (12°CDB/11°CWB)	Cdh (Degradation heating)	1.0				
			COPd	5.68		5.69		
			Pdh kW	5.0				
			PERd %	227.2		227.6		
		Tbiv (bivalent temperature)	COPd	2.12	2.18	2.40		
			Pdh kW	9.0	9.8	11.0		
	PERd %		84.8	87.2	96.0			
	Tbiv °C		2		3			
	Average climate water outlet 35°C	General	Annual energy consumption	3,939	4,456	4,923	5,366	
			ηs (Seasonal space heating efficiency)	186	182			
			Prated at -10°C	9.0	10.0	11.0	12.0	
		Qhe Annual energy consumption (GCV)	14	16	18	19		
		SCOP	4.72	4.64	4.62			
A		Seasonal space heating eff. class	A+++					
		COPd	3.07	3.03	2.95	2.87		
Condition (-7°CDB/-8°CWB)		Pdh kW	8.5	9.2	10.1	11.2		
		PERd %	122.8	121.2	118.0	114.8		
B Condition (2°CDB/1°CWB)		Cdh (Degradation heating)	1.0					
	COPd	4.52	4.37	4.35	4.33			
	Pdh kW	4.5	5.5	6.1	6.7			
	PERd %	180.8	174.8	174.0	173.2			
C Condition (7°CDB/6°CWB)	Cdh (Degradation heating)	1.0						
	COPd	6.78	6.74	6.70	6.83			
	Pdh kW	4.7	4.6		4.7			
	PERd %	271.2	269.6	268.0	273.2			
D Condition (12°CDB/11°CWB)	Cdh (Degradation heating)	1.0						
	COPd	8.75	8.54	8.65	8.82			
	Pdh kW	5.5	5.4		5.5			

2 Specifications

1 - 4 EDLA09-16D3W1, EDLA09-16D3V3

2

Technical specifications				EDLA09D3V3	EDLA11D3V3	EDLA14D3V3	EDLA16D3V3		
Space heating	Average climate water outlet 35°C	D Condition (12°CDB/11°CWB)	PERd	%	350.0	341.6	346.0	352.8	
			Tol (temperature operating limit)	COPd		2.64	2.58	2.51	2.48
		Tbiv (bivalent temperature)	Pdh	kW	8.3	10.1	11.2	11.8	
			PERd	%	105.6	103.2	100.4	99.2	
			TOL	°C			-10		
	Cold climate water outlet 35°C	General	WTOL	°C			35		
			Tbiv (bivalent temperature)	COPd		2.75	2.58	2.51	2.48
		Pdh	kW	8.7	10.1	11.2	11.8		
		PERd	%	110.0	103.2	100.4	99.2		
		Tbiv	°C	-9		-10			
	Warm climate water outlet 35°C	General	Rated heat output	Psup (at Tdesign -10°C)	kW	0.7		0.0	
			Annual energy consumption	kWh	5,402	5,783	6,317	7,296	
		ηs (Seasonal space heating efficiency)	%	161	168	169	159		
		Prated at -22°C	kW		10.0	11.0	12.0		
		Qhe Annual energy consumption (GCV)	Gj	19	21	23	26		
Control systems	General	Annual energy consumption	kWh	2,039	2,230	2,435	2,675		
		ηs (Seasonal space heating efficiency)	%	233	237	238	237		
	Prated at 2°C	kW	9.0	10.0	11.0	12.0			
	Qhe Annual energy consumption (GCV)	Gj	7	8	9	10			
	B Condition (2°CDB/1°CWB)	Cdh (Degradation heating)				1.0			
		COPd		3.36	3.30	3.45	3.30		
		Pdh	kW	9.0	10.3	10.8	11.9		
	C Condition (7°CDB/6°CWB)	PERd	%	134.4	132.0	138.0	132.0		
		Cdh (Degradation heating)				1.0			
		COPd		5.59	5.70	5.77	5.64		
	D Condition (12°CDB/11°CWB)	Pdh	kW	5.9	6.7	7.4	8.1		
		PERd	%	223.6	228.0	230.8	225.6		
		Cdh (Degradation heating)				1.0			
	Tbiv (bivalent temperature)	COPd		7.87		7.73			
		Pdh	kW			5.2			
PERd		%		314.8		309.2			
Tbiv (bivalent temperature)	COPd		3.36	3.30	3.45	3.30			
	Pdh	kW	9.0	10.3	10.8	11.9			
	PERd	%	134.4	132.0	138.0	132.0			
Control systems	Class of temperature control				VI				
	Contribution to seasonal space heating efficiency				4				

Electrical specifications				EDLA09D3V3	EDLA11D3V3	EDLA14D3V3	EDLA16D3V3	
Compressor	Starting method			Inverter				
Pump	Type			PWM				
Compressor component	Main power supply	Phase		1~				
		Voltage	V	230				
	Voltage range	Min.	%	-10				
Hydraulic component	Back-up heater current	Max.	%	10				
		Type		3V3				
	Running current	Power supply	Phase		1~			
		Frequency	Hz	50				
		Voltage	V	230				
	Voltage range	Back-up heater	A	13.0				
		Min.	%	-10				
Wiring connections	Max.	%	10					
	Type of wires	Select diameter and type according to national and local regulations						
Power supply	Name			V3				
	Phase			1~				
	Frequency			50				
	Voltage			230				

2 Specifications

1 - 4 EDLA09-16D3W1, EDLA09-16D3V3

Electrical specifications			EDLA09D3V3	EDLA11D3V3	EDLA14D3V3	EDLA16D3V3
Voltage range	Min.	%			-10	
	Max.	%			10	
Current	Maximum Heating running current	A			30.8	
	Recommended fuses	A			32	
Wiring connections	Optional domestic hot water tank	Quantity			3G	
		Type of wires			Minimum 2.5 mm ²	
	R5T	Quantity			2	
		Type of wires			Wire included in option EKHWS*	
	For connection with R6T	Quantity			2	
		Remark			Minimum 0.75 mm ²	
	A3P	Quantity			4	
		Type of wires			Select diameter and type according to national and local regulations	
	M2S	Quantity			2	
		Type of wires			Select diameter and type according to national and local regulations	
M3S	Quantity			3		
	Type of wires			Select diameter and type according to national and local regulations		
Wiring connections	Quantity			2		
		Type of wires			Wire included in option EKFLSW1	
	For power supply	Quantity			2G	
		Remark			See installation manual outdoor unit	
	For connection with user interface	Quantity			4	
		Remark			0.75 mm ² till 1.25 mm ² (max length 200 m)	
	Preferential kWh rate power supply	Quantity			0,75 ~1,25 mm ² (PIP2)	
		Remark			Power: 2 Power 6.3A	
	Domestic hot water	Quantity			3	
		Remark			Minimum 0.75 mm ²	
Cable requirements	Cooling/Heating output	Maximum running current A			0,3	

(1)Condition: Ta DB/WB 7°C/6°C - LWC 35°C (DT = 5°C) |

(2)Condition: Ta DB/WB 7°C/6°C - LWC 45°C (Dt=5°C) |

(3)For more details, see operation range drawing |

(4)Depends on operation mode, refer to installation manual. |

Cooling: EW 12°C; LW 7°C; ambient conditions: 35°CDB |

Cooling: EW 23°C; LW 18°C; ambient conditions: 35°CDB |

According to EN14825

3 Electrical data

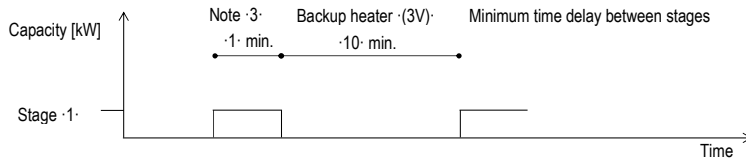
3 - 1 Electrical Data

3

EBLA09-16(3DW1-3DV3) / EDLA09-16(3DW1-3DV3) Electrical specifications

Backup heater	Type			3V	
	Capacity setting		kW	3	
	Capacity stage ··			1	
	Capacity stage ·1·		kW	3	
	Capacity stage ·2·		kW	-	
	Minimum time delay between stages				Note ·3·
	Power supply	Phase			1~
	(1)	Frequency		Hz	50
		Voltage		V	230 +-10%
	Current	Nominal running current		A	13
Zmax (backup heater) (2)			Ω	-	
			Complex	-	
Minimum Ssc value		kVA	-		

Notes	(1)	The above-mentioned power supply of the hydrobox is for the backup heater only.
	(2)	In accordance with EN/IEC 61000-3-11, it may be necessary to consult the distribution network operator to ensure that the equipment is connected only to a supply with $Z_{sys} \leq Z_{max}$.
	EN/IEC 61000-3-11	European/International Technical Standard setting the limits for voltage changes, voltage fluctuations and flicker in public low-voltage supply systems for equipment with rated current ≤ 75 A.
	EN/IEC 61000-3-12	European/International Technical Standard setting the limits for harmonic currents produced by equipment connected to public low-voltage systems with input current > 16 A and ≤ 75 A per phase.
	Zsys	System impedance



4D128962

4 Combination table

4 - 1 Combination Table

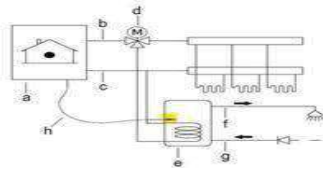
EBLA09-16(DW1-DV3) / EBLA09-16(3DW1-3DV3) / EDLA09-16(DW1-DV3) / EDLA09-16(3DW1-3DV3)

Kit availability for -E(B/D)LA*DA*.

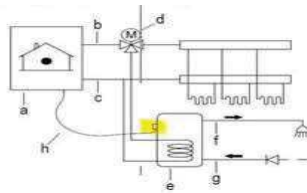
Reference	Description	Notes	E(B/D)LA(09/11/14/16)DA			
			No backup heater		Backup heater	
			Heating only	Reversible	Heating only	Reversible
			EDLA(09/11/14/16) DA(V3/W1)	EBLA(09/11/14/16) DA(V3/W1)	EDLA(09/11/14/16) DA3(V3/W1)	EBLA(09/11/14/16) DA3(V3/W1)
EKRP1HBAA	Digital I/O PCB	(1)	o	o	o	o
EKRP1AHTA	Demand PCB		o	o	o	o
BRC1HHDA*	Remote user interface		o	o	o	o
BRP069A78	WLAN cartridge	(2)	o	o	o	o
EKRELSG	Relay for Smart Grid		o	o	o	o
KRCS01-1	Remote indoor sensor	(3)	o	o	o	o
EKRSCA1	Remote sensor for outdoor	(3)	o	o	o	o
EKPCCAB4	PC cable kit		o	o	o	o
EKCC8-W	Universal centralised user interface		o	o	o	o
EKHYPART	Third-party tank connection kit for thermistor pocket	(4) (6)	o	o	o	o
EKHYPART2	Third-party tank connection kit for thermostat contact	(5) (6)	o	o	o	o
EKLBHCB6W	Backup heater kit	(7)	o	o	-	-
EKMBHBP1	Valve kit	(7)	-	o	-	-
EKFLSW1	Flow switch	(8)	o	o	o	o
AFVALVE1	Freeze protection valve		o	o	o	o
FWXV10-15-20ATV3*	Heat pump convector	Floor standing unit	o	o	o	o
FWXT10-15-20ATV3*	Heat pump convector	Wall mounted type	o	o	o	o
FWXM10-15-20ATV3*	Heat pump convector	Concealed ceiling	o	o	o	o
EKHWS150D3V3	Domestic hot water tank -LT 150 1~230V-		o	o	o	o
EKHWS180D3V3	Domestic hot water tank -LT 180 1~230V-		o	o	o	o
EKHWS200D3V3	Domestic hot water tank -LT 200 1~230V-		o	o	o	o
EKHWS250D3V3	Domestic hot water tank -LT 250 1~230V-		o	o	o	o
EKHWS300D3V3	Domestic hot water tank -LT 300 1~230V-		o	o	o	o
EKHWSU150D3V3	Domestic hot water tank -LT 150 1~230V-	(only for UK) (9)	o	o	o	o
EKHWSU180D3V3	Domestic hot water tank -LT 180 1~230V-	(only for UK) (9)	o	o	o	o
EKHWSU200D3V3	Domestic hot water tank -LT 200 1~230V-	(only for UK) (9)	o	o	o	o
EKHWSU250D3V3	Domestic hot water tank -LT 250 1~230V-	(only for UK) (9)	o	o	o	o
EKHWSU300D3V3	Domestic hot water tank -LT 300 1~230V-	(only for UK) (9)	o	o	o	o
EKHWP300B	Domestic hot water tank -HT 300-	(10) (11)	o	o	o	o
EKHWP500B	Domestic hot water tank -HT 500-	(10) (11)	o	o	o	o
EKHWP300PB	Domestic hot water tank -HT 300-	(10) (11)	o	o	o	o
EKHWP500PB	Domestic hot water tank -HT 500-	(10) (11)	o	o	o	o
BZKA7V3	Bizone kit		o	o	o	o
EKR7WA	Wired room thermostat		o	o	o	o
EKRTR1	Wireless room thermostat		o	o	o	o
EKRTE5	External temperature sensor option kit	(12)	o	o	o	o
EKWUFHTA1V3	Multi zoning kit		o	o	o	o

Notes

- (1) Additional relays to allow bivalent control in combination with an external room thermostat are field-supplied.
- (2) This option cannot be installed in certain countries. Refer to the country compliance overview of the option.
- (3) Only 1 remote sensor can be connected: indoor OR outdoor sensor.
- (4) -EKHY3PART- can be used if you have a tank in which you can insert a thermistor.



- (5) -EKHY3PART2- can be used if you have a tank in which you cannot insert a thermistor.



- (6) Conditions for third-party tank
Third-party with identical specifications as -EKHWS*.
Coil surface >1.05-m² and <3.7-m²
Tank thermistor and booster heater above heat pump coil.
- (7) Necessity to install a bypass kit -EKMBHBP1- to avoid sweat on the BUH, when the BUH is installed in combination with a reversible model.
- (8) -EKFLSW1- is obligatory for Monoblock & Mini-chiller in case Glycol is used.
- (9) Only possible in combination with -EKEXPVES-.
- (10) Domestic hot water tank with solar connection
Dedicated connection kit available.
Other options -EKRSF4A* Solar pump station
For the combination with -EKHWP*, refer to the combination table of -EKHWP*.
- (11) The installation of -EKH3S* is mandatory.
As backup or for tank preheating.
For details, see the installer reference guide.
- (12) Can only be used in combination with the wireless room thermostat.

Remark

Other combinations than mentioned in this combination table are prohibited.

4D128949B

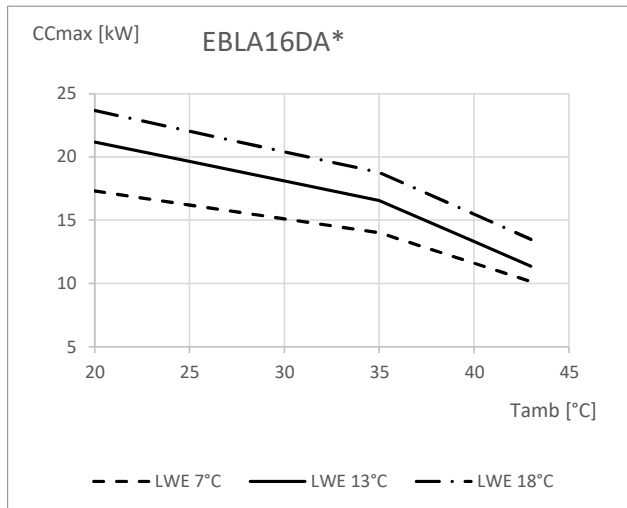
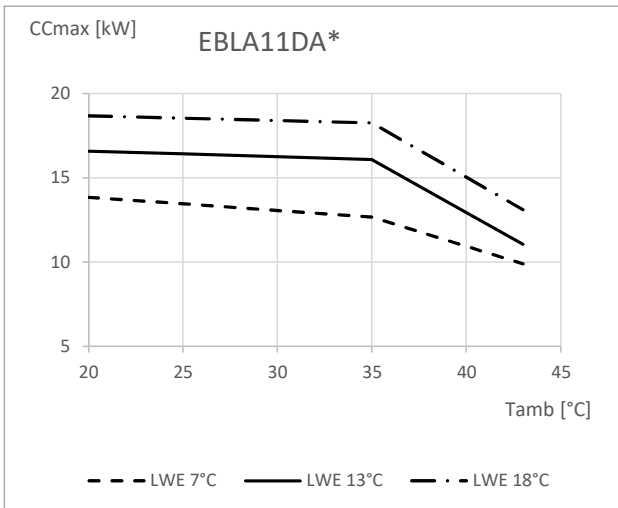
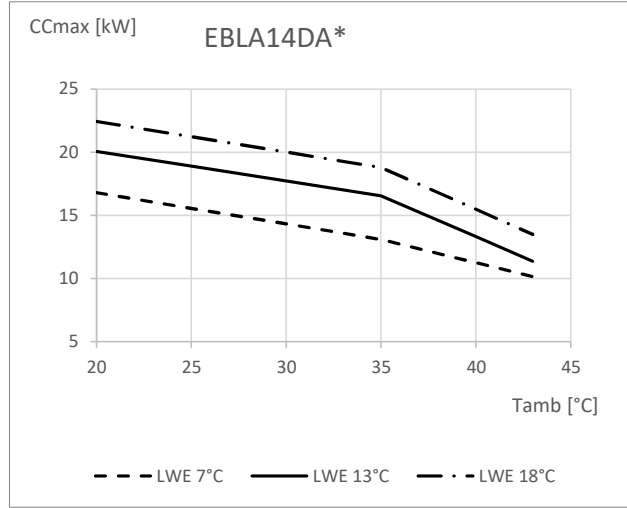
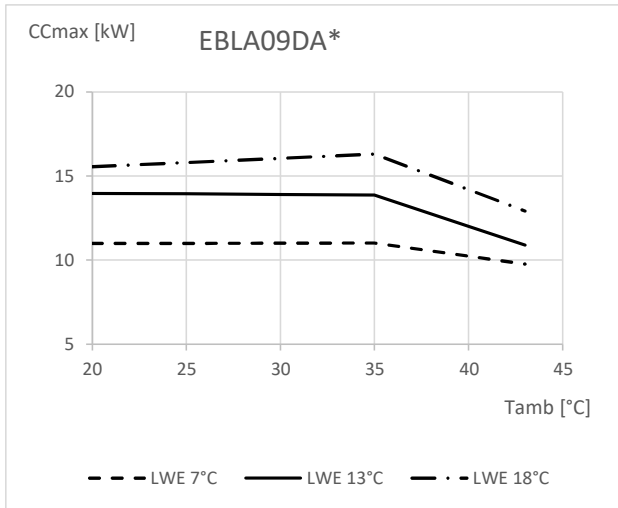
5 Capacity graphs

5 - 1 Cooling Capacity Graphs

5

EBLA09-16(DW1-DV3) / EBLA09-16(3DW1-3DV3)

Maximum cooling capacity



Symbols

CC_{max} Cooling capacity at maximum operating frequency, measured according to EN 14511.

LWE Leaving water evaporator temperature [°C]

Tamb Ambient temperature [°C DB]

Conditions

Cooling capacity

Capacity according to standard EN 14511 and valid for chilled water range ΔT = 3~8°C.

Notes

The capacity and power input is valid for ·V3· models at ·230·V and for for ·W1· models at ·400·V.

The capacity and the power input are at maximum operation.

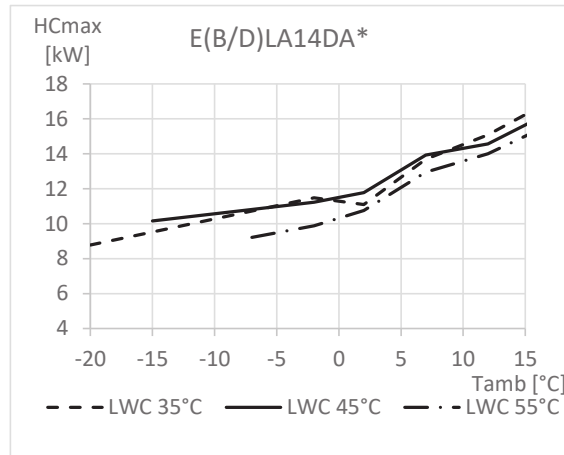
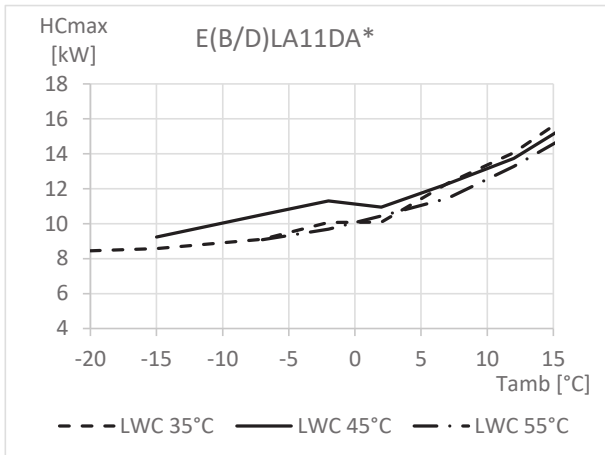
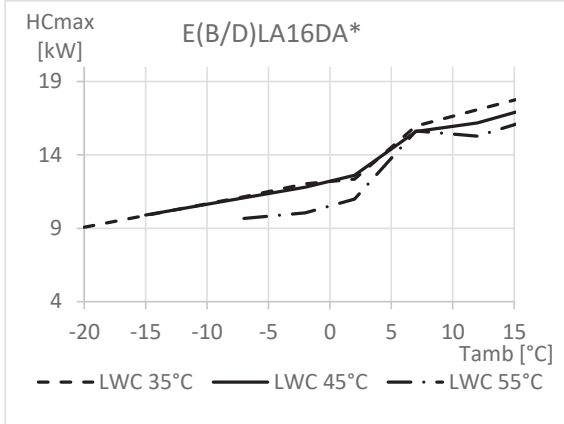
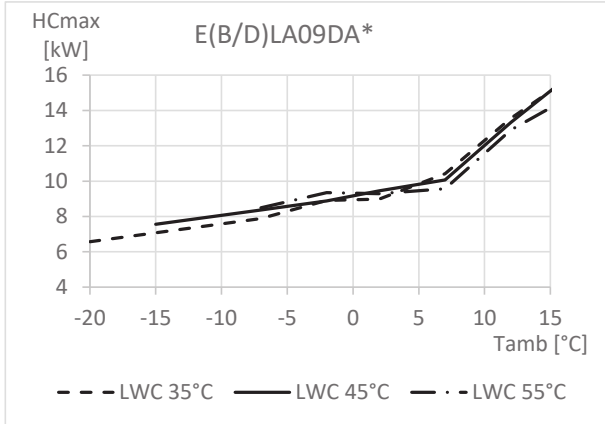
4D128952

5 Capacity graphs

5 - 2 Heating Capacity Graphs

EBLA09-16(DW1-DV3) / EBLA09-16(3DW1-3DV3) / EDLA09-16(DW1-DV3) / EDLA09-16(3DW1-3DV3)

Maximum heating capacity - integrated value



Symbols

- HC_{max} Heating capacity for maximum load, measured according to EN 14511
- LWC Leaving water condensor temperature [°C]
- Tamb Ambient temperature [°C DB]

Conditions

Heating capacity

Capacity according to standard EN 14511 and valid for heated water range $\Delta T = 3\sim 8^{\circ}\text{C}$.

Notes

The capacity and power input is valid for ·V3· models at ·230·V and for for ·W1· models at ·400·V.
The capacity and the power input are at maximum operation.

4D128951A

6 Capacity tables

6 - 1 Certification Programs

6
E(B-D)LA09-16DV3_DW1
E(B-D)LA09-16D3V3_D3W1

Rated data for certification programmes - heating mode

Tamb [°C]	EWC [°C]	LWC [°C]	E(B/D)LA09DA(V3/3V3)		E(B/D)LA11DA(V3/3V3)		E(B/D)LA14DA(V3/3V3)		E(B/D)LA16DA(V3/3V3)		Used for:
			HC [kW]	COP	HC [kW]	COP	HC [kW]	COP	HC [kW]	COP	
10/9	30	35	9,20	5,32	9,20	5,32	9,20	5,32	9,20	5,32	BAFA
7/6	30	35	9,37	4,91	10,56	4,83	12,00	4,87	16,00	4,53	Keymark, EHPA, BAFA, GET
2/1	(30)	35	7,64	3,79	9,00	3,65	10,80	3,50	12,00	3,30	EHPA, GET
2/1	(30)	35	6,29	4,01	6,29	4,01	6,29	4,01	6,29	4,01	BAFA
-7/-8	(30)	35	8,00	2,81	8,75	2,92	9,30	2,86	10,60	2,70	EHPA, BAFA, GET
7/6	40	45	9,00	3,71	9,82	3,66	12,45	3,64	16,00	3,51	EHPA
-2/-3	(40)	45	9,00	2,35	10,86	2,35	11,30	2,30	12,00	2,30	MCS
-7/-8	(40)	45	7,76	2,22	8,72	2,35	8,98	2,29	10,49	2,10	EHPA
7/6	47	55	9,57	2,91	10,64	2,94	11,87	2,89	15,63	2,75	Keymark, EHPA, GET
-7/-8	47	55	7,13	1,80	7,89	1,82	8,47	1,82	8,87	1,78	GET, EHPA

Tamb [°C]	EWC [°C]	LWC [°C]	E(B/D)LA09DA(W1/3W1)		E(B/D)LA11DA(W1/3W1)		E(B/D)LA14DA(W1/3W1)		E(B/D)LA16DA(W1/3W1)		Used for:
			HC [kW]	COP	HC [kW]	COP	HC [kW]	COP	HC [kW]	COP	
10/9	30	35	9,20	5,32	9,20	5,32	9,20	5,32	9,20	5,32	BAFA
7/6	30	35	9,37	4,91	10,56	4,83	12,00	4,87	16,00	4,53	Keymark, EHPA, BAFA, GET
2/1	(30)	35	7,64	3,79	9,00	3,65	10,80	3,50	12,00	3,30	EHPA, GET
2/1	(30)	35	6,29	4,01	6,29	4,01	6,29	4,01	6,29	4,01	BAFA
-7/-8	(30)	35	8,00	2,81	8,75	2,92	10,50	3,00	12,30	2,87	EHPA, BAFA, GET
7/6	40	45	9,00	3,71	9,82	3,66	12,45	3,64	16,00	3,51	EHPA
-2/-3	(40)	45	9,00	2,35	10,86	2,35	12,37	2,58	13,93	2,46	MCS
-7/-8	(40)	45	7,76	2,22	8,72	2,35	8,98	2,29	10,49	2,10	EHPA
7/6	47	55	9,57	2,91	10,64	2,94	11,87	2,89	15,63	2,75	Keymark, EHPA, GET
-7/-8	47	55	7,13	1,80	7,89	1,82	8,47	1,82	8,87	1,78	GET, EHPA

Rated data for certification programmes - cooling mode

Tamb [°C]	EWE [°C]	LWE [°C]	EBLA09DA(3)(V3/W1)		EBLA11DA(3)(V3/W1)		EBLA14DA(3)(V3/W1)		EBLA16DA(3)(V3/W1)		Used for:
			CC [kW]	EER	CC [kW]	EER	CC [kW]	EER	CC [kW]	EER	
35	23	18	9,10	5,34	11,51	5,31	12,68	5,04	15,33	4,74	General DACI
35	12	7	9,35	3,35	11,59	3,26	12,82	3,16	14,01	3,06	Keymark DAPT

Rated data for certification programmes - standby power consumption

		E(B/D)LA(09/11/14/16)DA(3)(V3/W1)		Used for:
Standby power input	[W]	23		Taux

 Seasonal data - cooling LWE 7°C Low temperature
Application

	EBLA09DA(3)(V3/W1)	EBLA11DA(3)(V3/W1)	EBLA14DA(3)(V3/W1)	EBLA16DA(3)(V3/W1)
Pdes [kW]	9,3	11,5	12,8	14,000
SEER [-]	5,62	5,79	5,71	5,59
η _{s,c} [-]	222	229	226	221
Q _{CE} [kWh/annum]	993	1190	1340	1500

Symbols

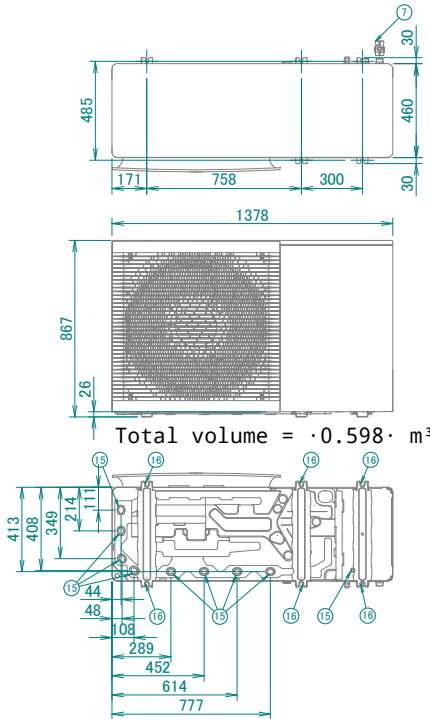
HC	Heating capacity measured according to EN 14511
CC	Cooling capacity, measured according to EN 14511.
COP/EER	Coefficient of Performance/Energy efficiency ratio according to EN 14511.
EWC	Entering water condenser temperature [°C]
LWC	Leaving water condensor temperature [°C]
EWE	Entering water evaporator temperature [°C]
LWE	Leaving water evaporator temperature [°C]
Tamb	Ambient temperature [°C DB/WB]

3D130658A

7 Dimensional drawings

7 - 1 Dimensional Drawings

EBLA09-16(DW1-DV3) / EDLA09-16(DW1-DV3)



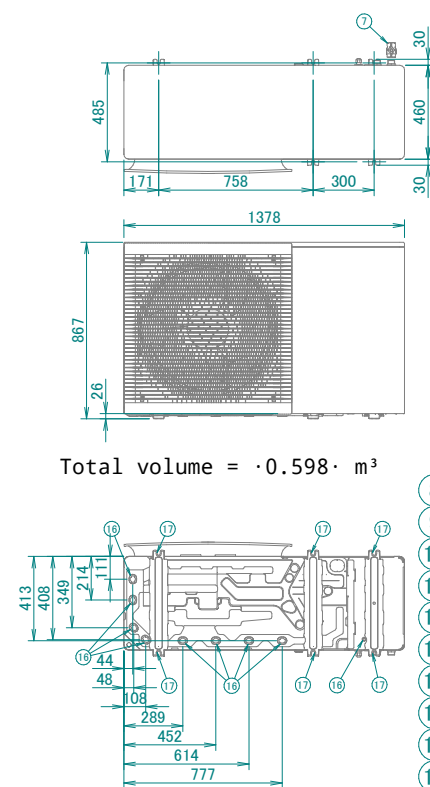
Total volume = ·0.598· m³

- ① Water in connection ·1"·M·
- ② Water out connection ·1"·M·
- ③ Wiring intake (low voltage wiring)
- ④ Wiring intake (high voltage wiring)
- ⑤ Wiring intake (power supply)
- ⑥ Backup heater power supply
- ⑦ Shut-off valve / filter (included accessory)

- ⑧ Drain valve water circuit
- ⑨ Flow sensor
- ⑩ Expansion vessel
- ⑪ Space heating water pressure sensor
- ⑫ Safety valve
- ⑬ Manual air purge valve
- ⑭ Pump
- ⑮ Drain outlet
- ⑯ ·6· holes for anchor bolts

3D129505A

EBLA09-16(3DW1-3DV3) / EDLA09-16(3DW1-3DV3)



Total volume = ·0.598· m³

- ① Water in connection ·1"·M·
- ② Water out connection ·1"·M·
- ③ Wiring intake (low voltage wiring)
- ④ Wiring intake (high voltage wiring)
- ⑤ Wiring intake (power supply)
- ⑥ Backup heater power supply
- ⑦ Shut-off valve / filter (included accessory)

- ⑧ Drain valve water circuit
- ⑨ Flow sensor
- ⑩ Expansion vessel
- ⑪ Backup heater
- ⑫ Automatic air purge valve
- ⑬ Space heating water pressure sensor
- ⑭ Safety valve
- ⑮ Pump
- ⑯ Drain outlet
- ⑰ ·6· holes for anchor bolts

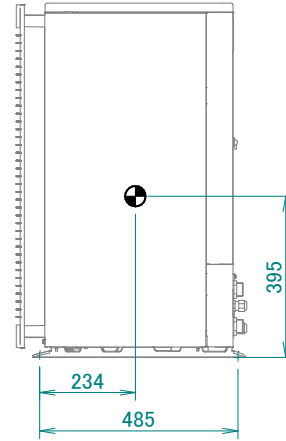
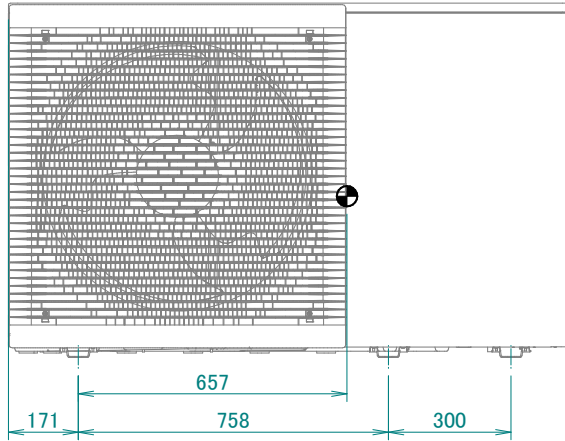
3D128950A

8 Centre of gravity

8 - 1 Centre of Gravity

EBLA09-16(DW1-DV3) / EBLA09-16(3DW1-3DV3) / EDLA09-16(DW1-DV3) / EDLA09-16(3DW1-3DV3)

8

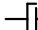
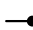
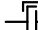
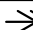


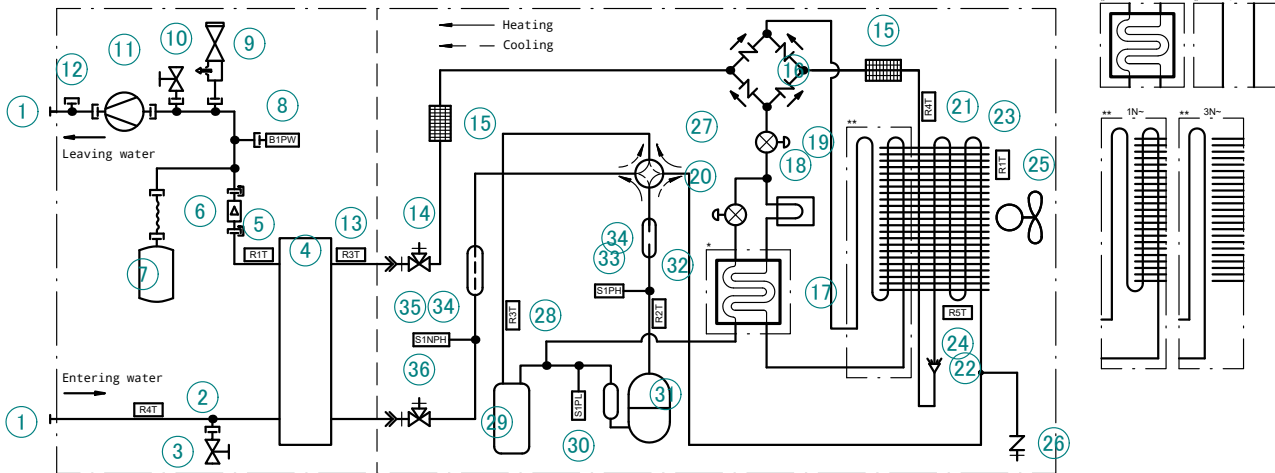
4D128956

9 Piping diagrams

9 - 1 Piping Diagrams

EBLA09-16(DW1-DV3) / EDLA09-16(DW1-DV3)

 Screw connection	 Brazed connection
 Quick coupling	 Flare connection



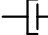
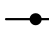

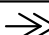
- | | |
|---|--|
| <ul style="list-style-type: none"> ① Screw connection ·1"·M· ② R4T- Inlet water thermistor ③ Drain valve water circuit ④ Plate heat exchanger ⑤ R1T- Outlet water heat exchanger thermistor ⑥ Flow sensor ⑦ Expansion vessel ⑧ Space heating water pressure sensor ⑨ Safety valve ⑩ Manual air purge valve ⑪ Pump ⑫ Connection for optional flow switch ⑬ R3T- Refrigerant liquid side thermistor ⑭ Liquid stop valve with service port | <ul style="list-style-type: none"> ⑮ Filter ⑯ Rectifier ⑰ Economiser ⑱ Heat sink ⑲ Electronic expansion valve (main) ⑳ Electronic expansion valve (injection) ㉑ R4T- Thermistor (heat exchanger) ㉒ Distributor ㉓ Heat exchanger ㉔ R5T- Thermistor (heat exchanger middle) ㉕ R1T- Outdoor air ㉖ Service port ·5/16"· flare ㉗ 4-way valve ㉘ R3T- Thermistor (suction) ㉙ Accumulator ㉚ Low pressure switch ㉛ Compressor ㉜ R2T- Thermistor (discharge) ㉝ High pressure switch ㉞ Muffler ㉟ Pressure sensor ㊱ Gas stop valve with service port |
|---|--|

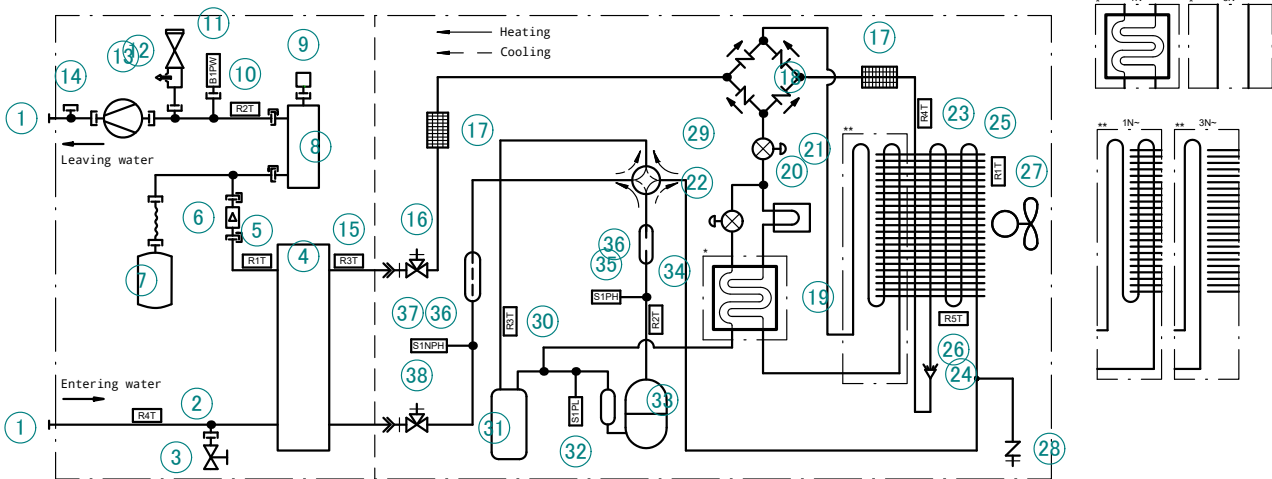
3D128954

9 Piping diagrams

9 - 1 Piping Diagrams

EBLA09-16(3DW1-3DV3) / EDLA09-16(3DW1-3DV3)

 Screw connection	 Brazed connection
 Quick coupling	 Flare connection



- ① Screw connection ·1"·M·
- ② R4T- Inlet water thermistor
- ③ Drain valve water circuit
- ④ Plate heat exchanger
- ⑤ R1T- Outlet water heat exchanger thermistor
- ⑥ Flow sensor
- ⑦ Expansion vessel
- ⑧ Backup heater
- ⑨ Automatic air purge valve
- ⑩ R2T- Outlet water backup heater thermistor
- ⑪ Space heating water pressure sensor
- ⑫ Safety valve
- ⑬ Pump
- ⑭ Connection for optional flow switch
- ⑮ R3T- Refrigerant liquid side thermistor
- ⑯ Liquid stop valve with service port
- ⑰ Filter
- ⑱ Rectifier
- ⑲ Economiser
- ⑳ Heat sink
- ㉑ Electronic expansion valve (main)
- ㉒ Electronic expansion valve (injection)
- ㉓ R4T- Thermistor (heat exchanger)
- ㉔ Distributor
- ㉕ Heat exchanger
- ㉖ R5T- Thermistor (heat exchanger middle)
- ㉗ R1T- Outdoor air
- ㉘ Service port ·5/16"· flare
- ㉙ 4-way valve
- ㉚ R3T- Thermistor (suction)
- ㉛ Accumulator
- ㉜ Low pressure switch
- ㉝ Compressor
- ㉞ R2T- Thermistor (discharge)
- ㉟ High pressure switch
- ⓫ Muffler
- ⓬ Pressure sensor
- ⓭ Gas stop valve with service port

3D128953

10 Wiring diagrams

10 - 1 Notes & Legend

EBLA09-16(DW1-DV3) / EBLA09-16(3DW1-3DV3) / EDLA09-16(DW1-DV3) / EDLA09-16(3DW1-3DV3)

(2) Notes

- X14M, X15M : Main terminal
- : Earth wiring
- 15 : Wire number 15
- - - : Field supply

① : Several wiring possibilities

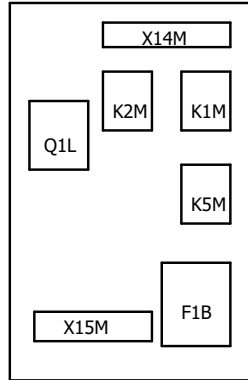
 : Option

 : Wiring depending on model

 : switch box

 : PCB

(3) BUH kit switch box



EKLBUHCB6W1

(4) Legend

Part n°	Description
E1H	BUH element (1kW)
E2H	BUH element (2kW)
F1B	Overcurrent fuse BUH
F1T	Thermal fuse BUH
F1U	Fuse
K1M	Contacteur BUH (Step 1)
K2M	Contacteur BUH (Step 2)
K5M	Safety contacteur BUH
Q3DI #	Earth leakage circuit breaker
Q1L	Thermal protector BUH
R2T	Outlet BUH thermistor
X*M	Terminal strip

: field supply

Optional backup heater configuration: (only for EKLBUHCB6W1)

- 1N~, 230V, 3kW or 6kW
- 3N~, 400V, 6kW or 9kW

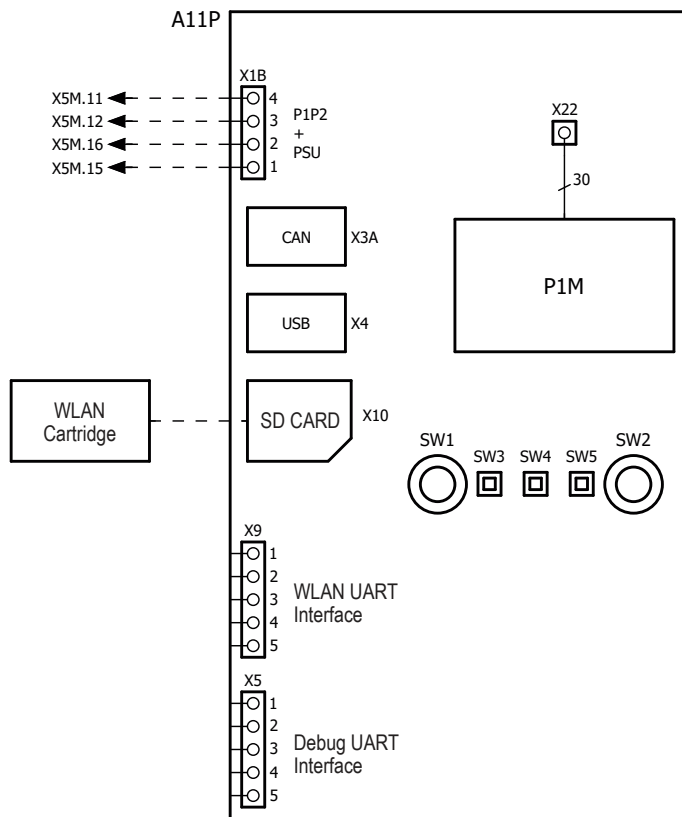
4D124072B

10 Wiring diagrams

10 - 2 Control Circuit

10

EBLA09-16(DW1-DV3) / EBLA09-16(3DW1-3DV3) / EDLA09-16(DW1-DV3) / EDLA09-16(3DW1-3DV3)







4D124072B

10 Wiring diagrams

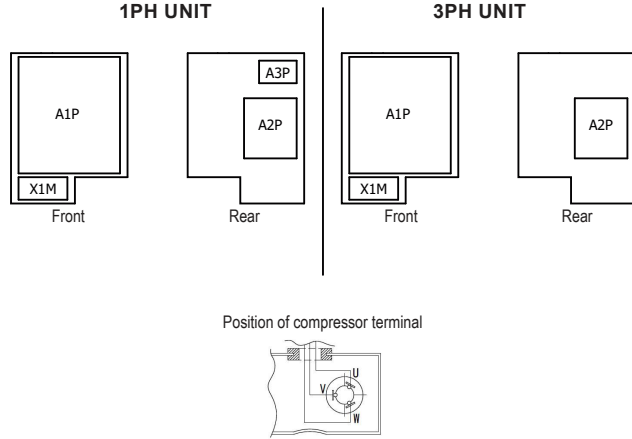
10 - 3 Compressor - Notes & Legend

EBLA09-16(DW1-DV3) / EBLA09-16(3DW1-3DV3) / EDLA09-16(DW1-DV3) / EDLA09-16(3DW1-3DV3)

NOTES to go through before starting the unit

- X1M : Main terminal
- : Earth wiring
- - - - - : Field supply
- ① : Several wiring possibilities
-  : Option
-  : Wiring depending on model
-  : Not mounted in switch box
-  : PCB

POSITION IN SWITCH BOX



NOTES

- Refer to the wiring diagram sticker (on the back of the front plate) for how to use the BS1~BS4 and DS1 switches.
- When operating, do not short-circuit protection device Q1, S1PH and S1PL.
- Refer to the combination table and the option manual for how to connect the wiring to X6A, X41A and X77A.
- Colours: BLK:black; RED:red; BLU:blue; WHT:white; GRN:green; BRN:brown; YLW:yellow; ORG:orange
- Confirm the method of setting the selector switches (DS1) by service manual. Factory setting of all switches: OFF

LEGEND

1PH UNIT	
Part n°	Description
A1P	Printed circuit board (main)
A2P	Printed circuit board (noise filter)
A3P	Printed circuit board (flash)
C* (A*P)	Capacitor
BS* (A1P)	Push-button switch
DS1 (A1P)	Dipswitch
F1U, F3U~F4U (A2P)	Fuse T 6.3 A 250 V
F2U (A2P)	Fuse T 56 A 250 V
F6U (A1P)	Fuse T 5 A 250 V
H1~7P (A1P)	Indication light emitting diode (service monitor is orange)
HAP (A1P)	Light emitting diode (service monitor is green)
K1R (A1P)	Magnetic relay (Y1S)
K10R (A1P)	Magnetic relay
K11M (A1P)	Magnetic relay (main)
K14~15R (A2P)	Magnetic relay
L*R (A1P)	Reactor
M1C	Compressor motor
M1F	Fan motor
PS (A1P)	Switching power supply
Q1	Thermal overcurrent protector
Q1DI	# Earth leakage circuit breaker (30mA)
R1~5 (A*P)	Resistor
R1T	Thermistor (air)
R2T	Thermistor (discharge)
R3T	Thermistor (suction)
R4T	Thermistor (distribution pipe)
R5T	Thermistor (heat exchanger middle)
R11T (A1P)	Thermistor (fin)
RC (A2P)	Signal receiver circuit
S1NPH	Pressure sensor
S1PH	High pressure switch
S1PL	Low pressure switch
TC (A2P)	Signal transmission circuit
V*D (A1P)	Diode
V1R (A1P)	Power module
V2R (A1P)	Diode module
V*T (A1P)	IGBT
X1M	Terminal strip
X*A, X*Y (A*P)	Connector
Y1E, Y3E	Electronic expansion valve
Y1S	Solenoid valve (4-way valve)
Z*C	Noise filter (ferrite core)
Z*F (A*P)	Noise filter

3PH UNIT	
Part n°	Description
A1P	Printed circuit board (main)
A2P	Printed circuit board (noise filter)
C* (A1P)	Capacitor
BS* (A1P)	Push-button switch
DS1 (A1P)	Dipswitch
F1U, F3U (A2P)	Fuse T 6.3 A 250 V
F4U, F5U (A2P)	Fuse T 30 A 500 V
F7U (A1P)	Fuse T 5 A 250 V
HAP (A1P)	Light emitting diode (service monitor is green)
K1R (A1P)	Magnetic relay (Y1S)
K5~8R (A1P)	Magnetic relay
K*M (A1P)	Magnetic relay (main)
L*R (A*P)	Reactor
M1C	Compressor motor
M1F	Fan motor
PS (A1P)	Switching power supply
Q1	Thermal overcurrent protector
Q1DI	# Earth leakage circuit breaker (30mA)
R1~9 (A1P)	Resistor
R1T	Thermistor (air)
R2T	Thermistor (discharge)
R3T	Thermistor (suction)
R4T	Thermistor (distribution pipe)
R5T	Thermistor (heat exchanger middle)
R11T (A1P)	Thermistor (fin)
RC (A1P)	Signal receiver circuit
S1NPH	Pressure sensor
S1PH	High pressure switch
S1PL	Low pressure switch
SEG* (A1P)	7-segment display
TC (A1P)	Signal transmission circuit
V*D (A1P)	Diode
V1~2R (A1P)	Diode module
V3~5R (A1P)	Power module
X1M	Terminal strip
X*A, X*Y (A*P)	Connector
Y1E, Y3E	Electronic expansion valve
Y1S	Solenoid valve (4-way valve)
Z*C	Noise filter (ferrite core)
Z*F (A*P)	Noise filter

* : optional

: field supply

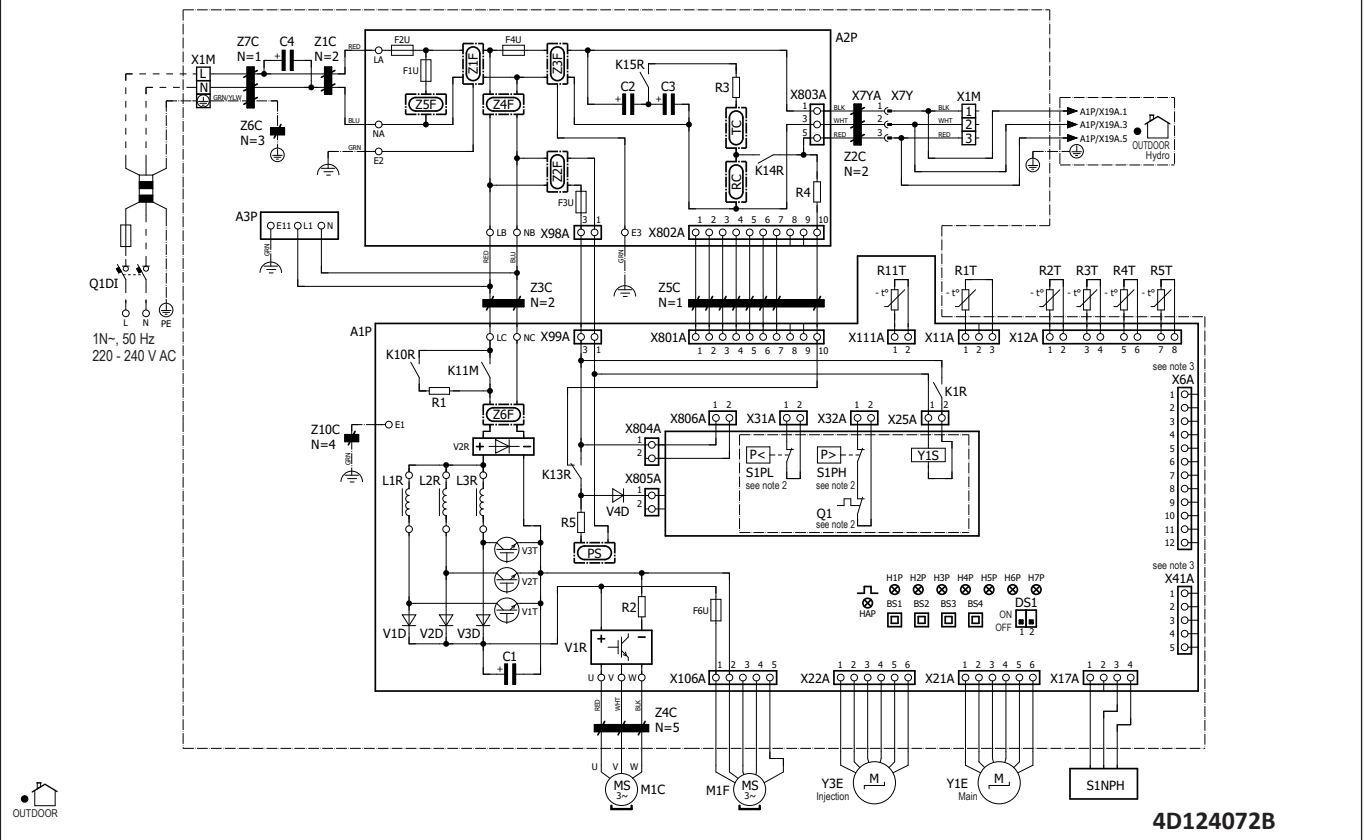
4D124072B

10 Wiring diagrams

10 - 4 Compressor - Single phase

10

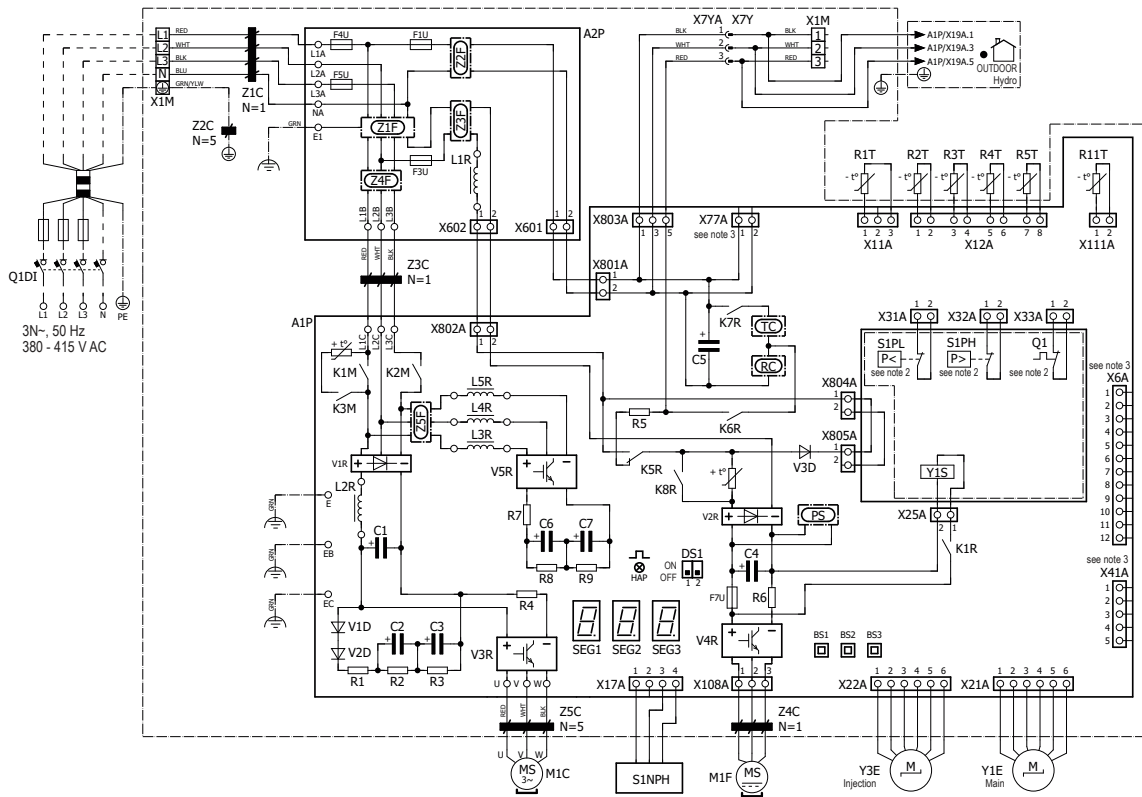
EBLA09-16(DW1-DV3) / EBLA09-16(3DW1-3DV3) / EDLA09-16(DW1-DV3) / EDLA09-16(3DW1-3DV3)



10 Wiring diagrams

10 - 5 Compressor - Three phase

EBLA09-16(DW1-DV3) / EBLA09-16(3DW1-3DV3) / EDLA09-16(DW1-DV3) / EDLA09-16(3DW1-3DV3)



4D124072B

OUTDOOR

10 Wiring diagrams

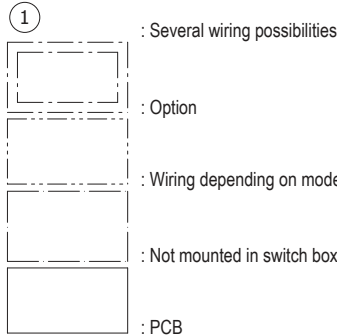
10 - 6 Hydro Module - Notes & Legend

10

EBLA09-16(DW1-DV3) / EBLA09-16(3DW1-3DV3) / EDLA09-16(DW1-DV3) / EDLA09-16(3DW1-3DV3)

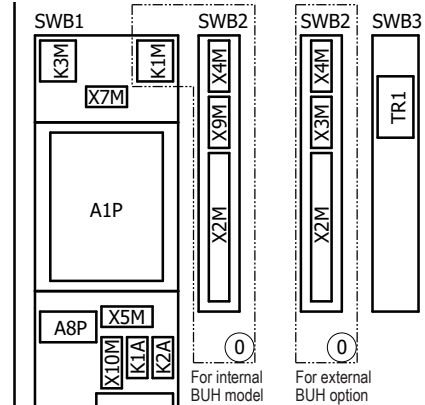
NOTES to go through before starting the unit

- X1M : Main terminal
- X2M : Field wiring terminal for AC
- X3M : External backup heater terminal
- X4M : Booster heater power supply terminal
- X5M : Field wiring terminal for DC
- X9M : Internal backup heater power supply terminal
- X10M : Smartgrid terminal
- _____ : Earth wiring
- : Field supply



- Backup heater power supply: 3V (1N~, 230V, 3kW)
- User installed options:
- Domestic hot water tank
 - External backup heater
 - Booster heater
 - Remote user interface
 - Ext. indoor thermistor
 - Ext. outdoor thermistor
 - Digital I/O PCB
 - Demand PCB
 - Smart grid
 - WLAN cartridge
 - Bypass kit
- Main LWT:
- ON/OFF thermostat (wired)
 - ON/OFF thermostat (wireless)
 - Ext. thermistor
 - Heat pump convector
- Add LWT:
- ON/OFF thermostat (wired)
 - ON/OFF thermostat (wireless)
 - Ext. thermistor
 - Heat pump convector

POSITION IN SWITCH BOX



NOTES

- Connection point of the power supply for the backup heater & booster heater should be foreseen outside the unit.

LEGEND

Part n°	Description
A1P	main PCB
A2P	* ON/OFF thermostat (PC=power circuit)
A3P	* heat pump convector
A4P	* digital I/O PCB
A8P	* demand PCB
A11P	MMI main PCB
A14P	* user interface PCB
A15P	* receiver PCB (wireless ON/OFF thermostat)
B1L	flow sensor
B1PW	water pressure sensor
CN* (A4P)	* connector
DS1 (A8P)	* dipswitch
E3H	backup heater element (3 kW)
E5H	* booster heater element (2,4 kW)
E6H	PHE heater (50 W)
E7H	OP10 heater (33 W)
E8H	OP10 heater (50 W)
E9H	expansion vessel heater (50 W)
E10H	expansion vessel flex heater (15,6 W)
E11H, E12H	PHE heater IN/OUT (33 W)
E*P (A9P)	indication LED
F1B	# overcurrent fuse backup heater
F1T	thermal fuse backup heater
F2B	# overcurrent fuse booster heater
F2T	thermal fuse booster heater
F1U, F2U (A4P)	* fuse 5 A 250 V for digital I/O PCB
FU1 (A1P)	fuse T 5 A 250 V for PCB
K1A, K2A	* high voltage smartgrid relay
K1M	contactor backup heater
K3M	* contactor booster heater
K*R (A1P-A4P)	relay on PCB
M1P	main supply pump
M2P	# domestic hot water pump
M2S	# 2 way valve for cooling mode
M3S	* 3 way valve for floorheating /domestic hot water
M4S	* valve kit
P1M	MMI display

Part n°	Description
PC (A15P)	* power circuit
PHC1 (A4P)	* optocoupler input circuit
Q1L	thermal protector backup heater
Q2L	* thermal protector booster heater
Q4L	# safety thermostat
Q*DI	# earth leakage circuit breaker
R1H (A2P)	* humidity sensor
R1T (A1P)	outlet water heat exchanger thermistor
R1T (A2P)	* ambient sensor On/OFF thermostat
R1T (A14P)	* ambient sensor user interface
R2T (A1P)	internal BUH sensor
R2T (A2P)	* external sensor (floor or ambient)
R3T	refrigerant liquid side thermistor
R4T	inlet water thermistor
R5T	* domestic hot water thermistor
R6T	* external indoor or outdoor ambient thermistor
S1L	* flow switch
S1S	# preferential kWh rate PS contact
S1T	thermostat
S2S	# electrical meter pulse input 1
S3S	# electrical meter pulse input 2
S4S	# smartgrid feed-in
S6S-S9S	* digital power limitation inputs
S10S-S11S	# low voltage smartgrid contact
SS1 (A4P)	* selector switch
SW1-2 (A11P)	turn buttons
SW3-5 (A11P)	push button
TR1	power supply transformer
X4M	* booster heater power supply terminal strip
X6M, X8M	# power supply terminal strip client
X9M	backup heater power supply terminal strip
X10M	* smartgrid power supply terminal strip
X*, X*A, X*Y	connector
X*M	terminal strip
Z*C	noise filter (ferrite core)

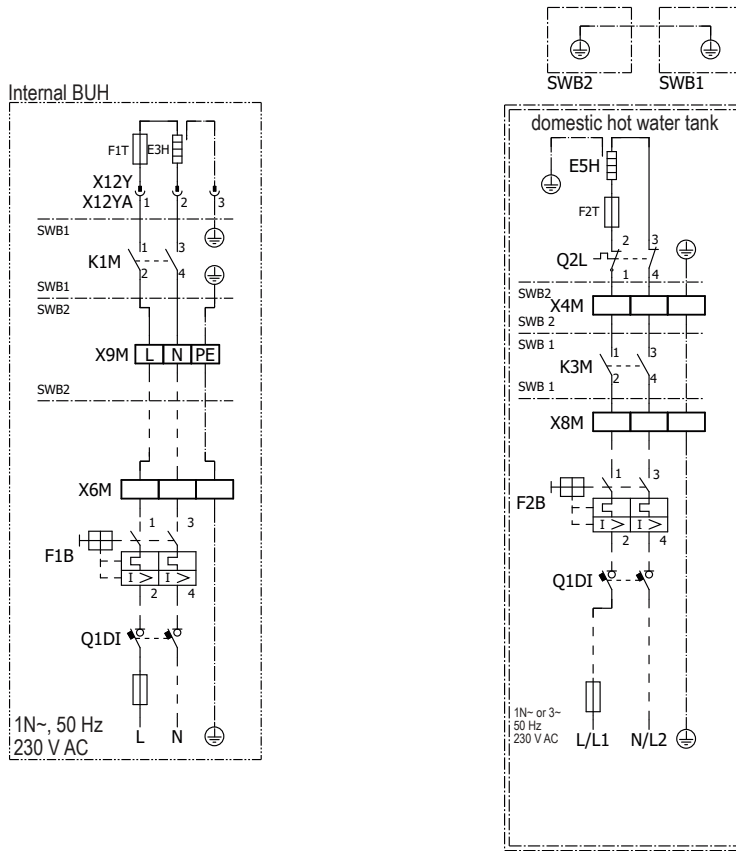
* : optional
: field supply

4D124072B

10 Wiring diagrams

10 - 7 Hydro Module - Power Supply, Back-up Heater

EBLA09-16(DW1-DV3) / EBLA09-16(3DW1-3DV3) / EDLA09-16(DW1-DV3) / EDLA09-16(3DW1-3DV3)

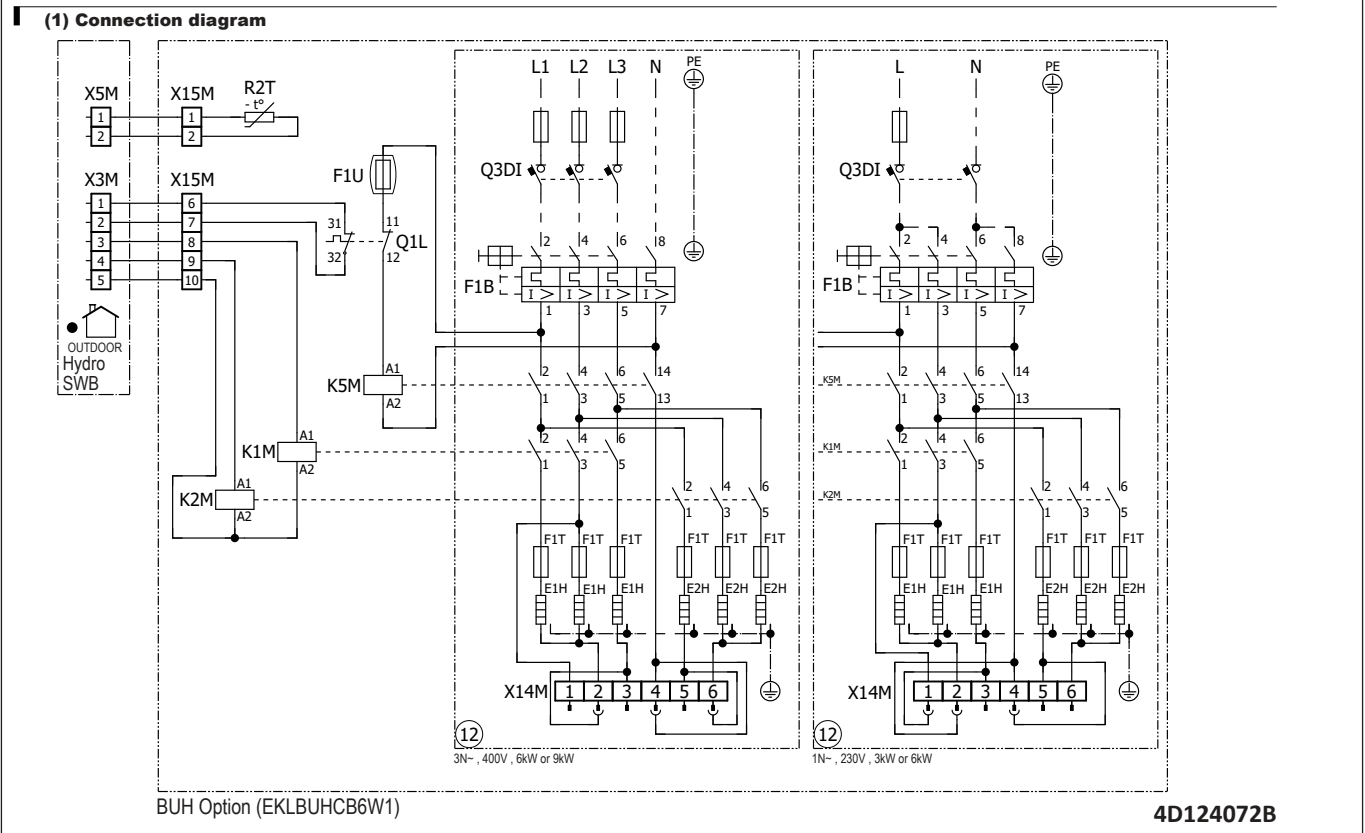


4D124072B

10 Wiring diagrams

10 - 9 External back-up heater - Option Circuit

EBLA09-16(DW1-DV3) / EBLA09-16(3DW1-3DV3) / EDLA09-16(DW1-DV3) / EDLA09-16(3DW1-3DV3)



11 External connection diagrams

11 - 1 External Connection Diagrams

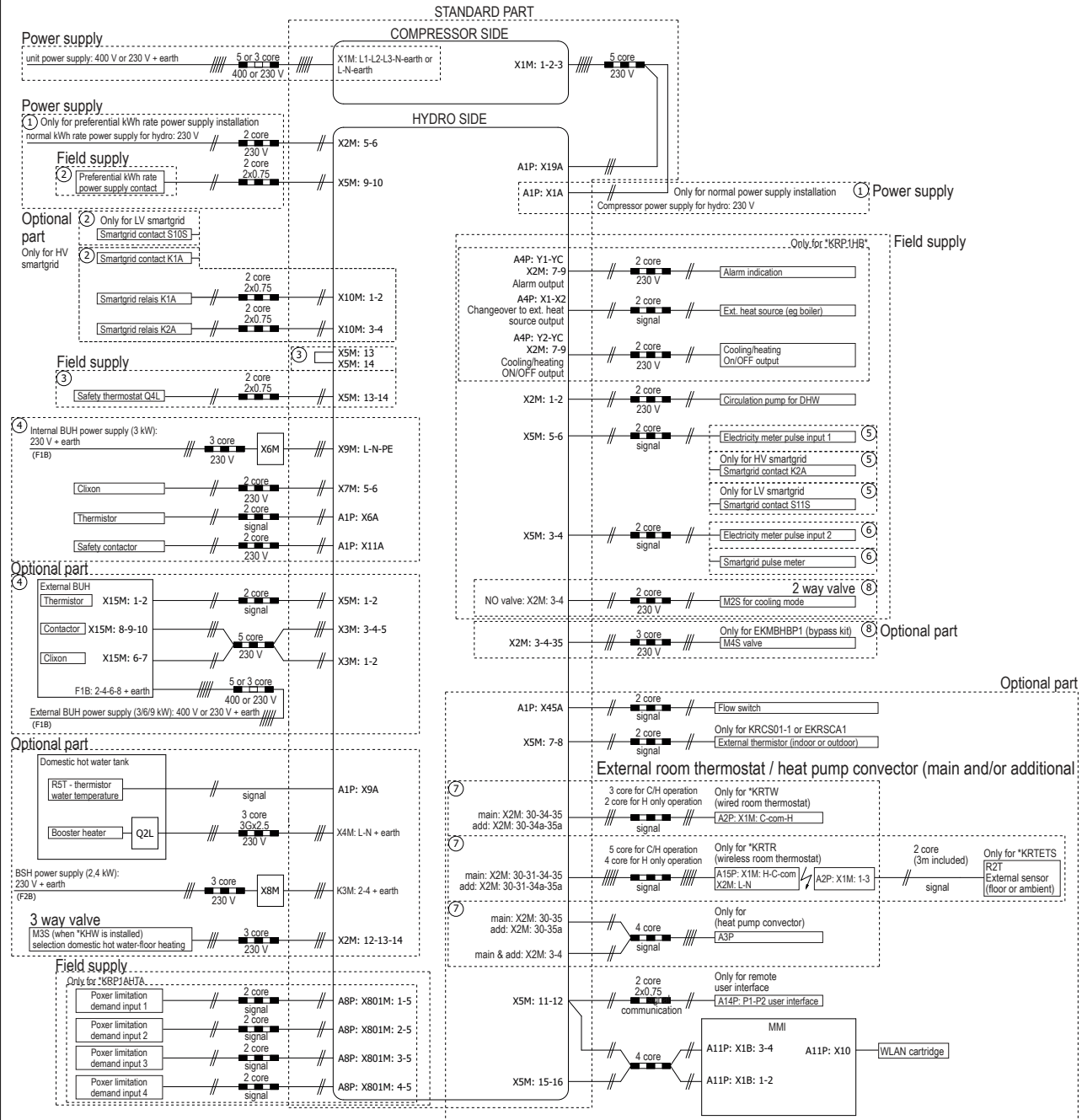
EBLA09-16(DW1-DV3) / EBLA09-16(3DW1-3DV3) / EDLA09-16(DW1-DV3) / EDLA09-16(3DW1-3DV3)

Electrical connection diagram Daikin Monobloc/Minichiller GQI TBM

NOTE

In case of signal cable: keep minimum distance to power cables > 5 cm

For more details please check unit wiring

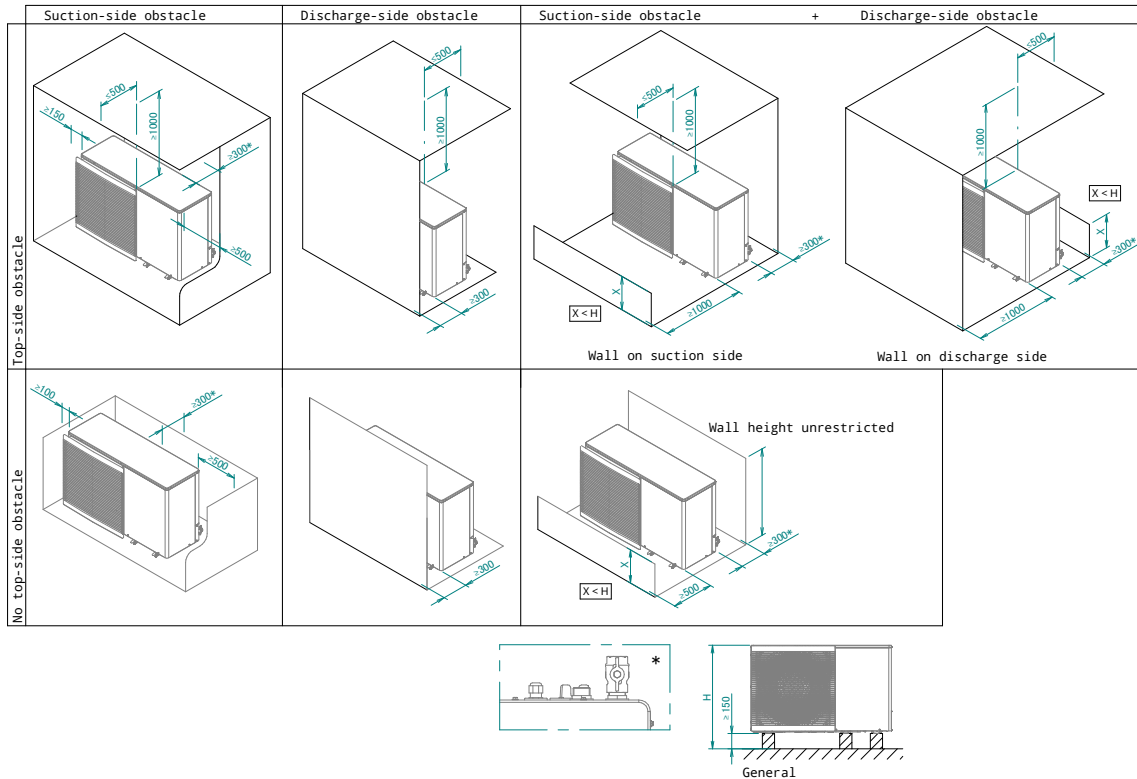


4D128841A

12 Installation

12 - 1 Installation Method

EBLA09-16(DW1-DV3) / EBLA09-16(3DW1-3DV3) / EDLA09-16(DW1-DV3) / EDLA09-16(3DW1-3DV3)



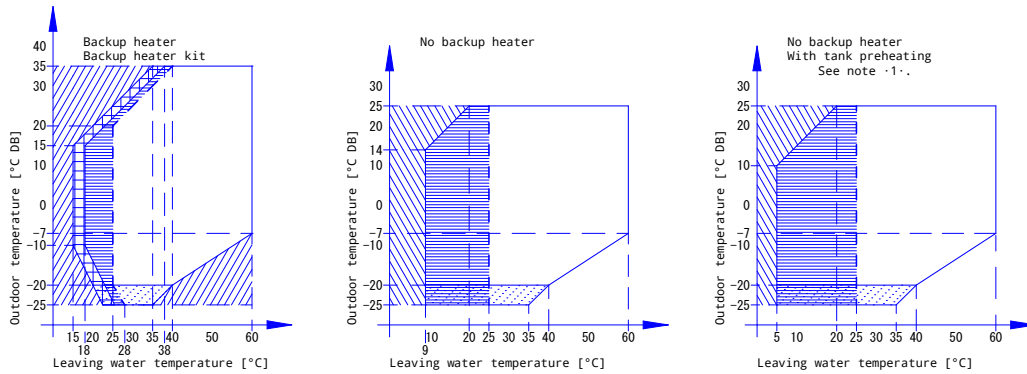
3D128957

13 Operation range

13 - 1 Operation Range

13

EBLA09-16(DW1-DV3) / EBLA09-16(3DW1-3DV3) / EDLA09-16(DW1-DV3) / EDLA09-16(3DW1-3DV3)



Legend

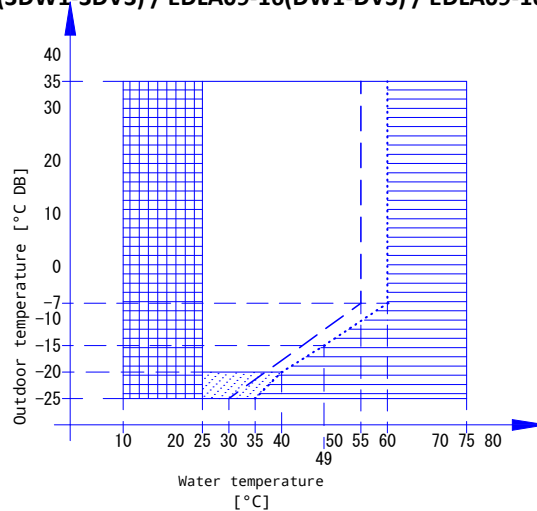
- Backup heater only operation
No outdoor unit operation
- Heat pump + backup heater operation
Pull-up area
- Outdoor unit operation if controller setpoint is regulated to minimal leaving water temperature request.
See dashed lines
- Operation of outdoor unit possible, but with possible capacity reduction.
- Circulation pump operation only

Notes

1. Tank preheating
For details, see the installer reference guide.
2. If negative ambient temperatures are expected, both in operation or at standstill, take adequate countermeasures against freezing.
For more information, refer to the installation manual.
3. In restricted power supply mode, the outdoor unit and backup heater can only operate separately.

3D130723

EBLA09-16(DW1-DV3) / EBLA09-16(3DW1-3DV3) / EDLA09-16(DW1-DV3) / EDLA09-16(3DW1-3DV3)



Legend

- Setpoint [°C]
Domestic hot water
- Leaving water temperature [°C]
- Pull-up area
- Operation of outdoor unit possible, but with possible capacity reduction.
- Booster heater only operation (if a booster heater is part of the system)

Notes

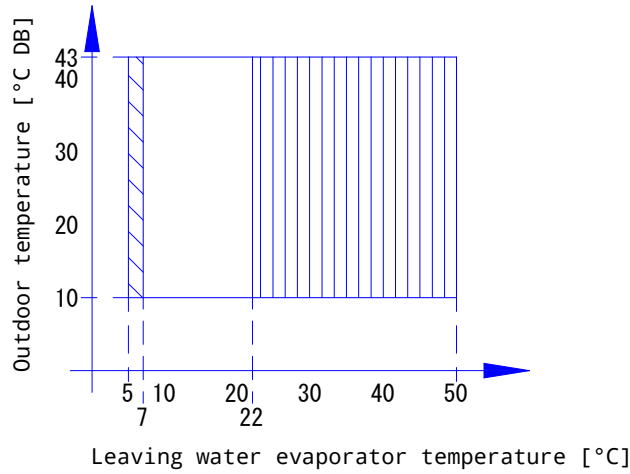
1. In restricted power supply mode (EKHW* only), the outdoor unit, booster heater and backup heater can only operate separately.
2. Third-party with identical specifications as EKHS*.
Coil surface > 1.05·m² and < 3.7·m²
Tank thermistor and booster heater above heat pump coil.
3. If negative ambient temperatures are expected, both in operation or at standstill, take adequate countermeasures against freezing.
For more information, refer to the installation manual.

3D120989

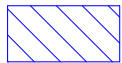
13 Operation range

13 - 1 Operation Range

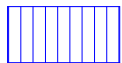
EBLA09-16(DW1-DV3) / EBLA09-16(3DW1-3DV3)



Legend



In case valve kit ·AFVALVE1· is part of the system, then the minimum setpoint is ·7·°C.



Pull-down area

Notes

- For more information, refer to the installation manual.
If negative ambient temperatures are expected, both in operation or at standstill, take adequate countermeasures against freezing.

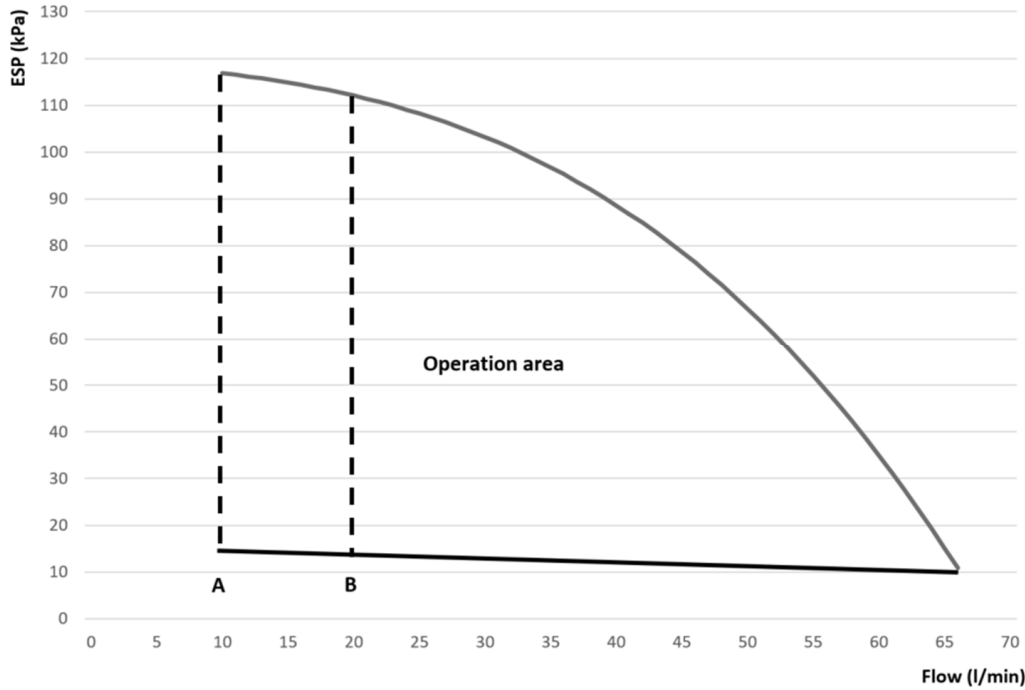
3D130999

14 Hydraulic performance

14 - 1 Static Pressure Drop Unit

14

EBLA09-16(DW1-DV3) / EDLA09-16(DW1-DV3)



ESP = External static pressure [kPa] Space heating/cooling circuit
 Flow = Water/glycol flow through the unit Space heating/cooling circuit

A = Minimum water flow rate during normal operation
 B = Minimum water flow rate during defrost operation

Notes

- The operation area is extended to lower flow rates only in case the unit operates with heat pump only, and the temperature of the flow medium is sufficiently high.

This does not apply to start-up operation, defrost operation, and backup heater operation in case a backup heater is installed.

See dashed lines

- The higher operation range limit is only valid if the flow medium is water. If glycol is added to the system, the limit is lower.
- Selecting a flow outside the operating area can damage the unit or cause the unit to malfunction.

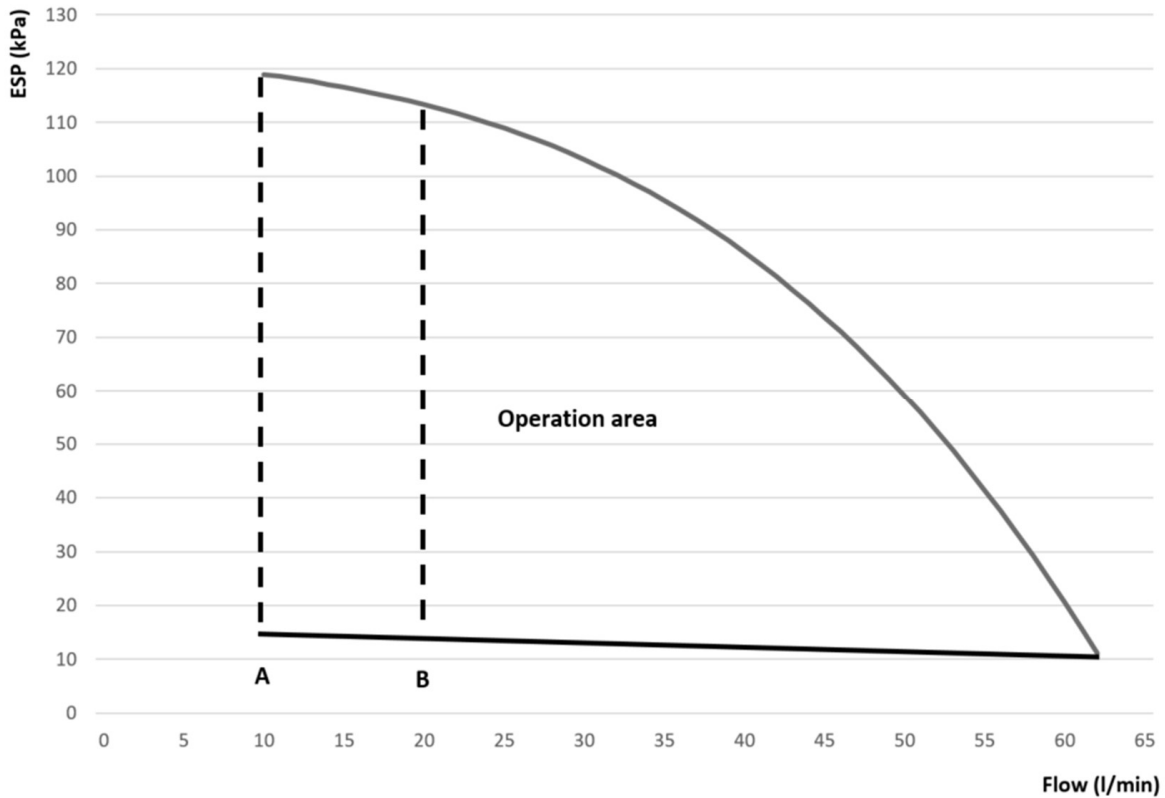
See also the minimum and maximum allowed water flow range in the technical specifications.

4D129632

14 Hydraulic performance

14 - 1 Static Pressure Drop Unit

EBLA09-16(3DW1-3DV3) / EDLA09-16(3DW1-3DV3)



- ESP = External static pressure [kPa] Space heating/cooling circuit
- Flow = Water/glycol flow through the unit Space heating/cooling circuit

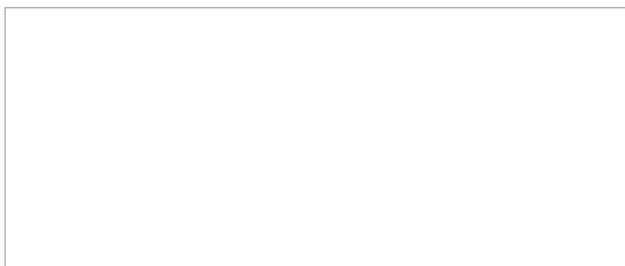
- A = Minimum water flow rate during normal operation
- B = Minimum water flow rate during defrost operation

Notes

1. The operation area is extended to lower flow rates only in case the unit operates with heat pump only, and the temperature of the flow medium is sufficiently high.

This does not apply to start-up operation, defrost operation, and backup heater operation in case a backup heater is installed.
See dashed lines
2. The higher operation range limit is only valid if the flow medium is water. If glycol is added to the system, the limit is lower.
3. Selecting a flow outside the operating area can damage the unit or cause the unit to
See also the minimum and maximum allowed water flow range in the technical specifications.

4D128961



EEDEN20

10/2020



The present leaflet is drawn up by way of information only and does not constitute an offer binding upon Daikin Europe N.V. Daikin Europe N.V. has compiled the content of this leaflet to the best of its knowledge. No express or implied warranty is given for the completeness, accuracy, reliability or fitness for particular purpose of its content and the products and services presented therein. Specifications are subject to change without prior notice. Daikin Europe N.V. explicitly rejects any liability for any direct or indirect damage, in the broadest sense, arising from or related to the use and/or interpretation of this leaflet. All content is copyrighted by Daikin Europe N.V.