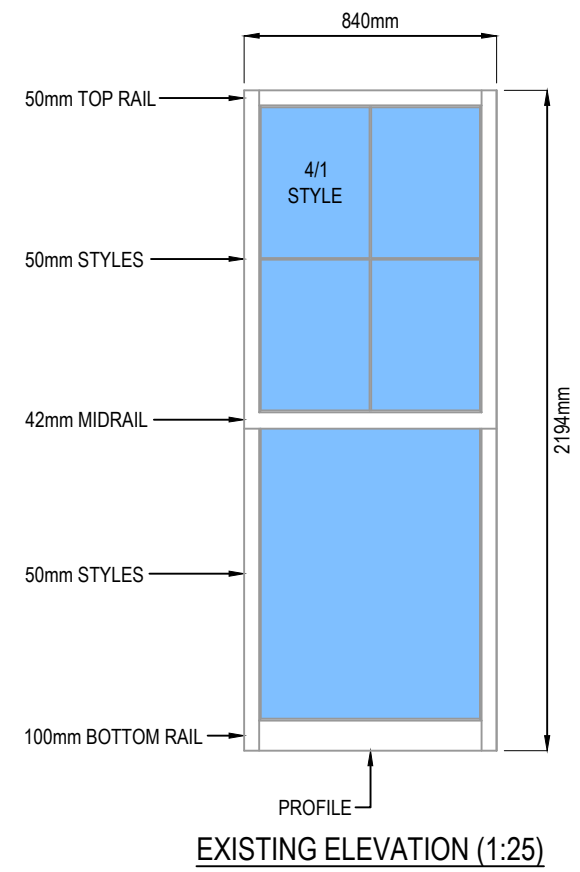
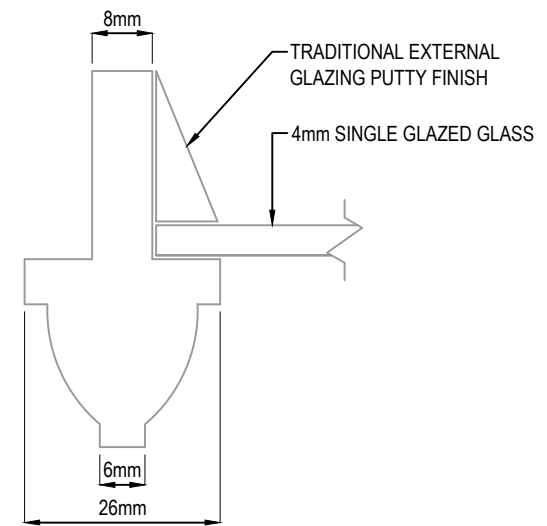


EXISTING CROSS SECTION



EXISTING ELEVATION (1:25)



EXISTING ASTRAGAL CROSS SECTION (1:1)

EAST ELEVATION

PLANNING ISSUE	
Client:	
Margaret Sullivan, Apartment 4, 47 Sassoon Grove, Edinburgh, EH10 5FB	
Title:	
Double Glazed Upgrade W7 Drawing Rm Bay Left Mid Existing Elevation / Sections	
Scale:	Date:
As Noted	February '24
Drawing No.:	
HERM/47SG/W7/DRBLM/E	