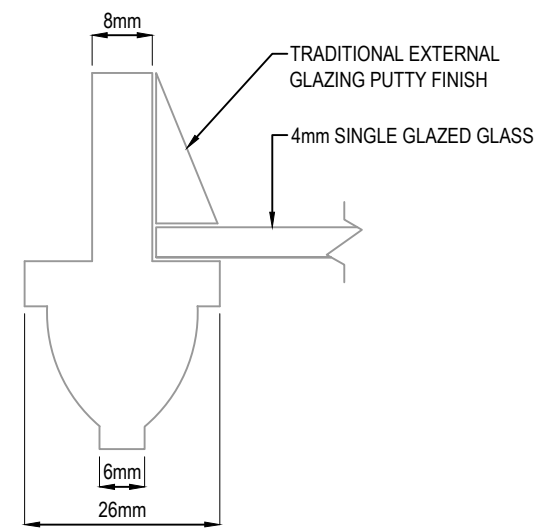
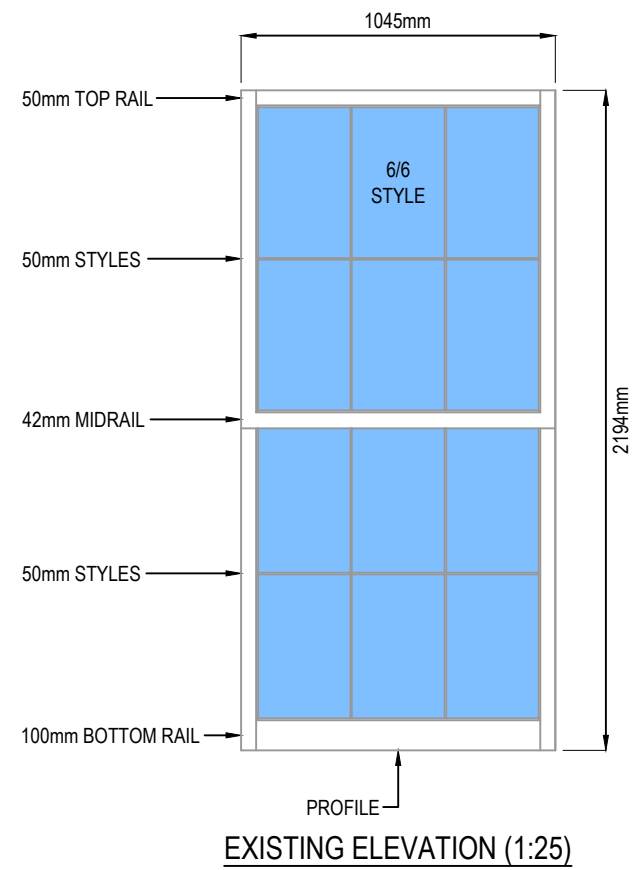


EXISTING CROSS SECTION



EXISTING ASTRAGAL CROSS SECTION (1:1)

WEST ELEVATION

PLANNING ISSUE

GENUINE CRAFTSMANSHIP
HERMITAGE
WINDOWS

Client:
Margaret Sullivan, Apartment 4,
47 Sassoon Grove,
Edinburgh, EH10 5FB

Title:
Double Glazed Upgrade
W1 Sitting Room Twin Left
Existing Elevation / Sections

Scale As Noted	Date February '24
Drawing No. HERM/47SG/W1/SRTL/E	