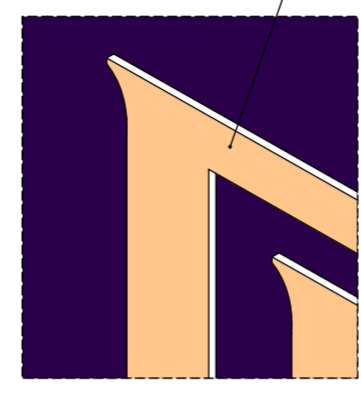
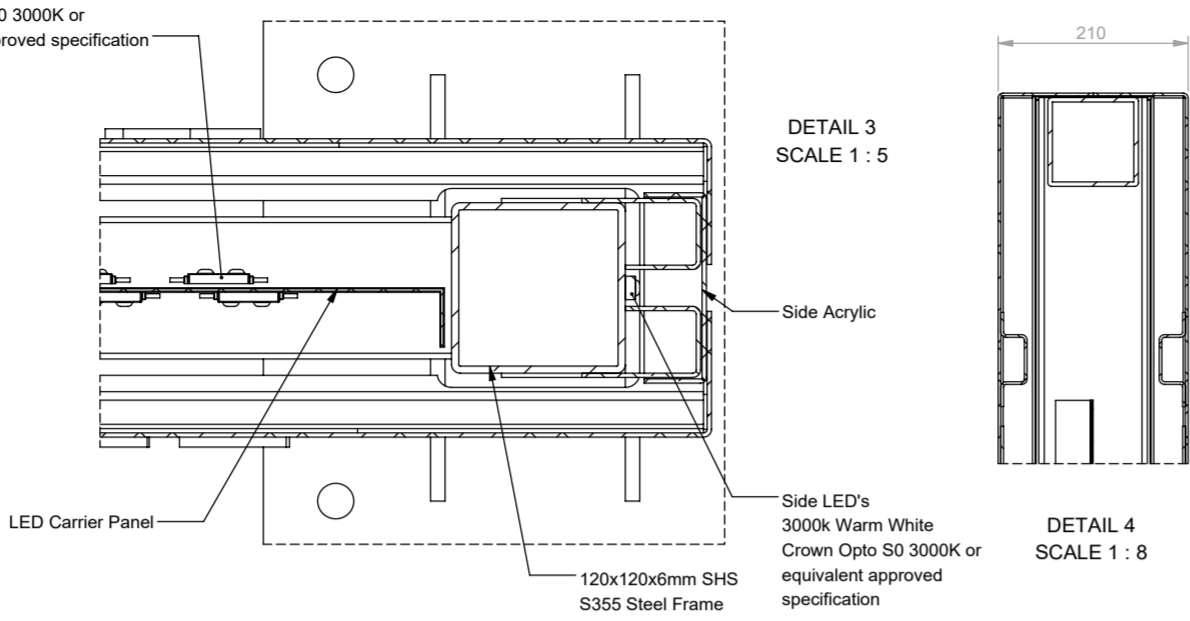
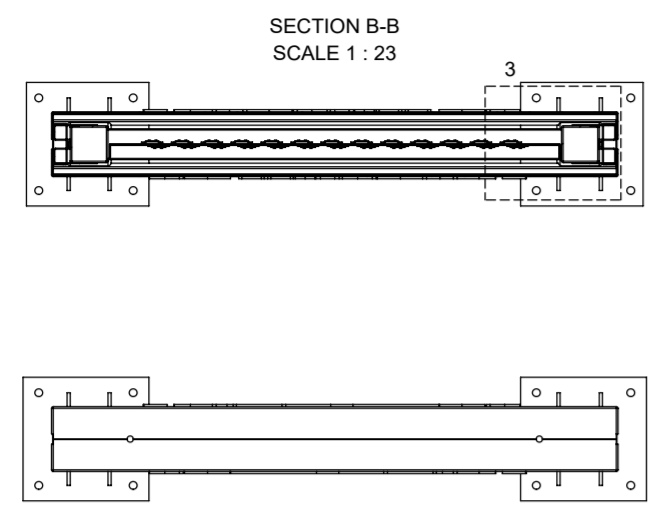


RR-ES-008 TOTEM - LARGE

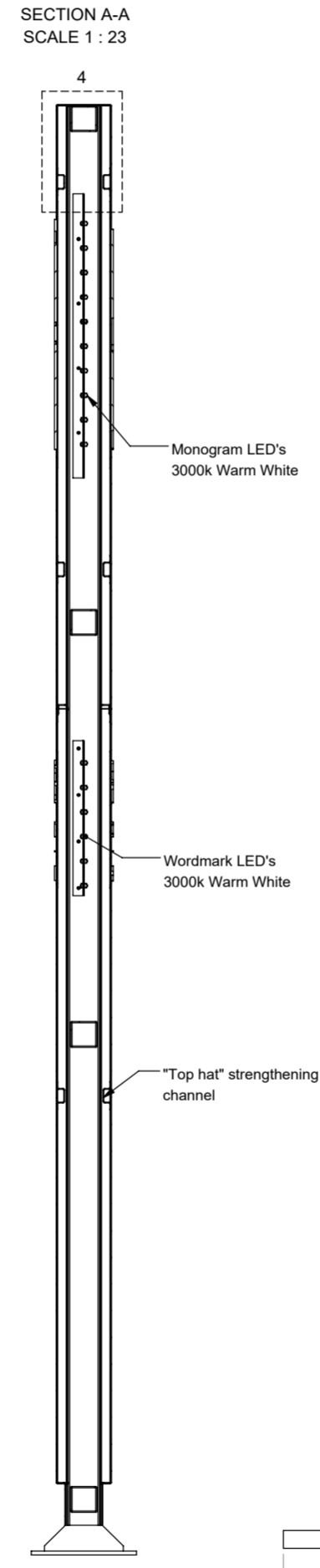
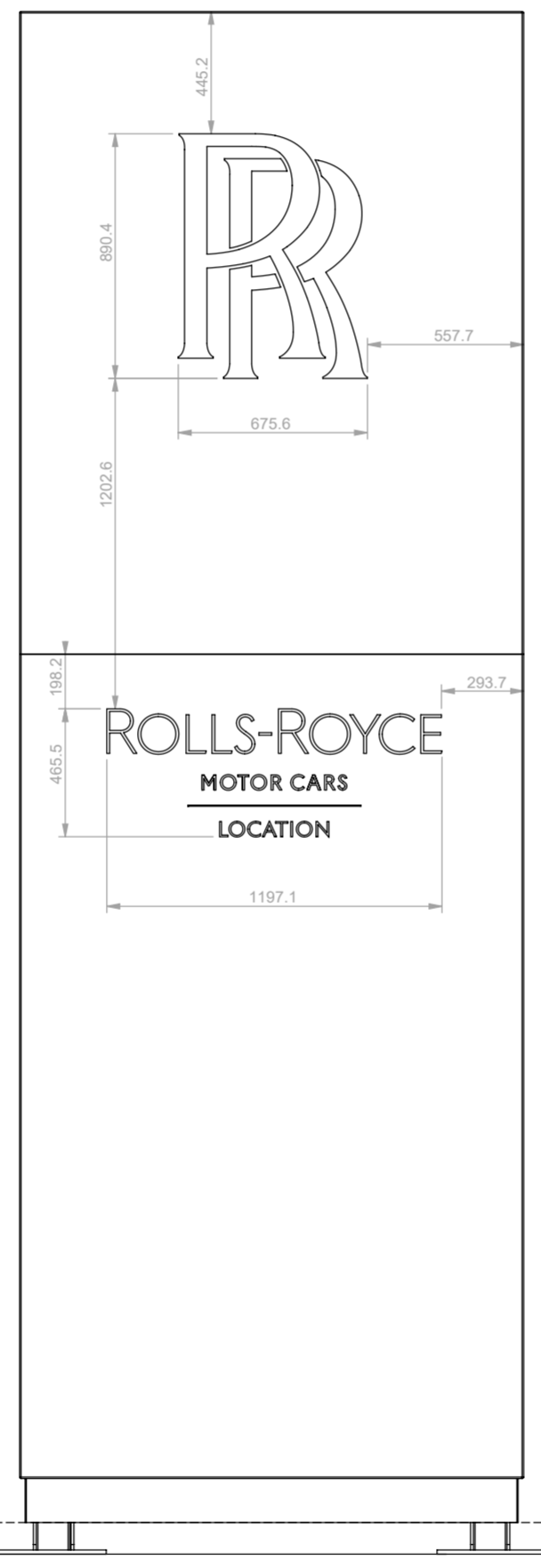
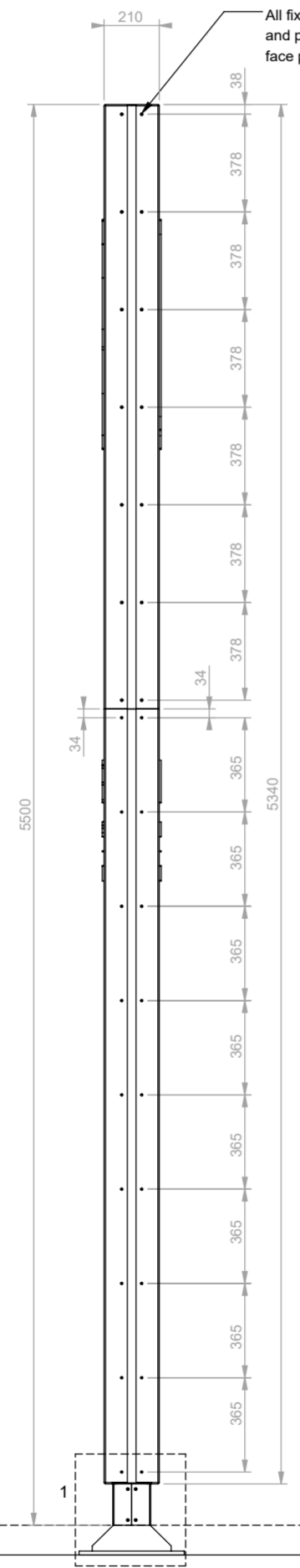
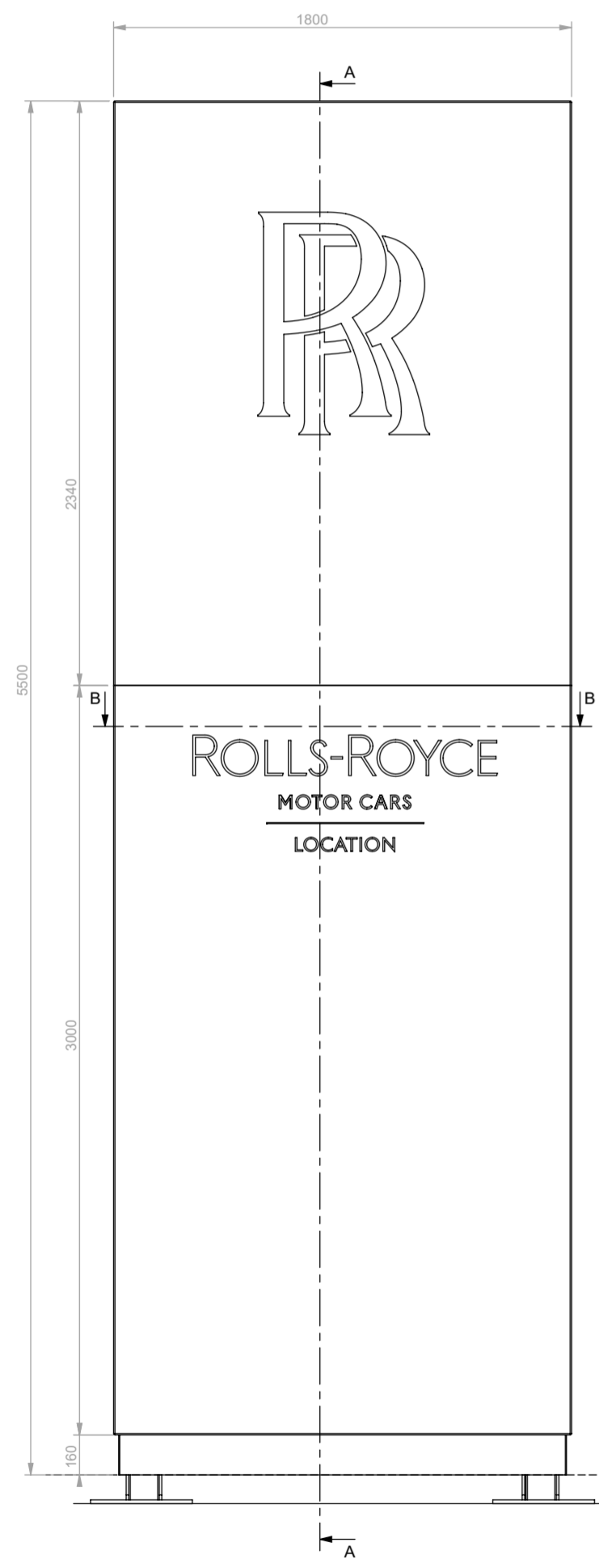
Monogram & Wordmark LED's  
3000k Warm White  
Crown Opto S0 3000K or  
equivalent approved specification

"Pushed through" Lettering  
providing halo illumination  
10mm 1T L2 with 3mm 1T L2  
Backer, 1mm Rimex Rosey Gold  
Hairline to the face

RRMC SUPPLIED ARTWORK TO BE USED FOR THE MONOGRAM & WORDMARK



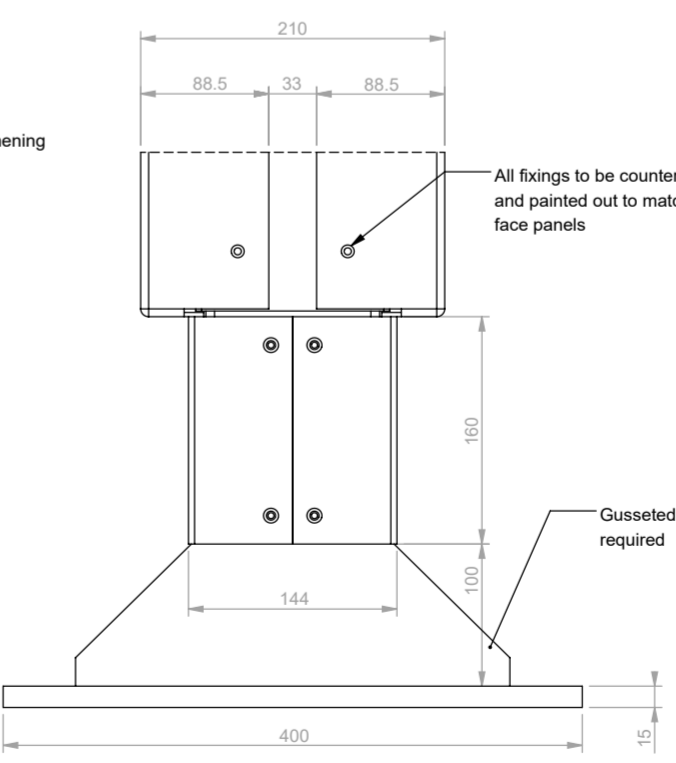
NOTE: ROSE GOLD TO BE BONDED TO THE ACRYLIC USING AN APPROVED BONDING METHOD - 3M 4614F D/S TAPE - PLEASE SEE GUIDE



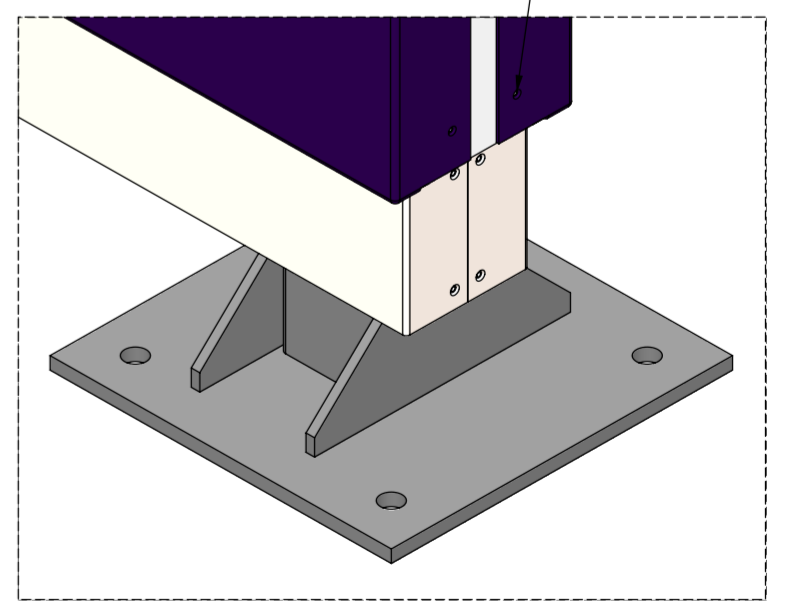
"Pushed through" Lettering  
providing halo illumination  
10mm 1T L2 with 3mm 1T L2  
Backer, 1mm Rimex Rosey Gold  
Hairline to the face

3mm Aluminium Panels  
finished RAL 320 20 15

DETAIL 1  
SCALE 1:5

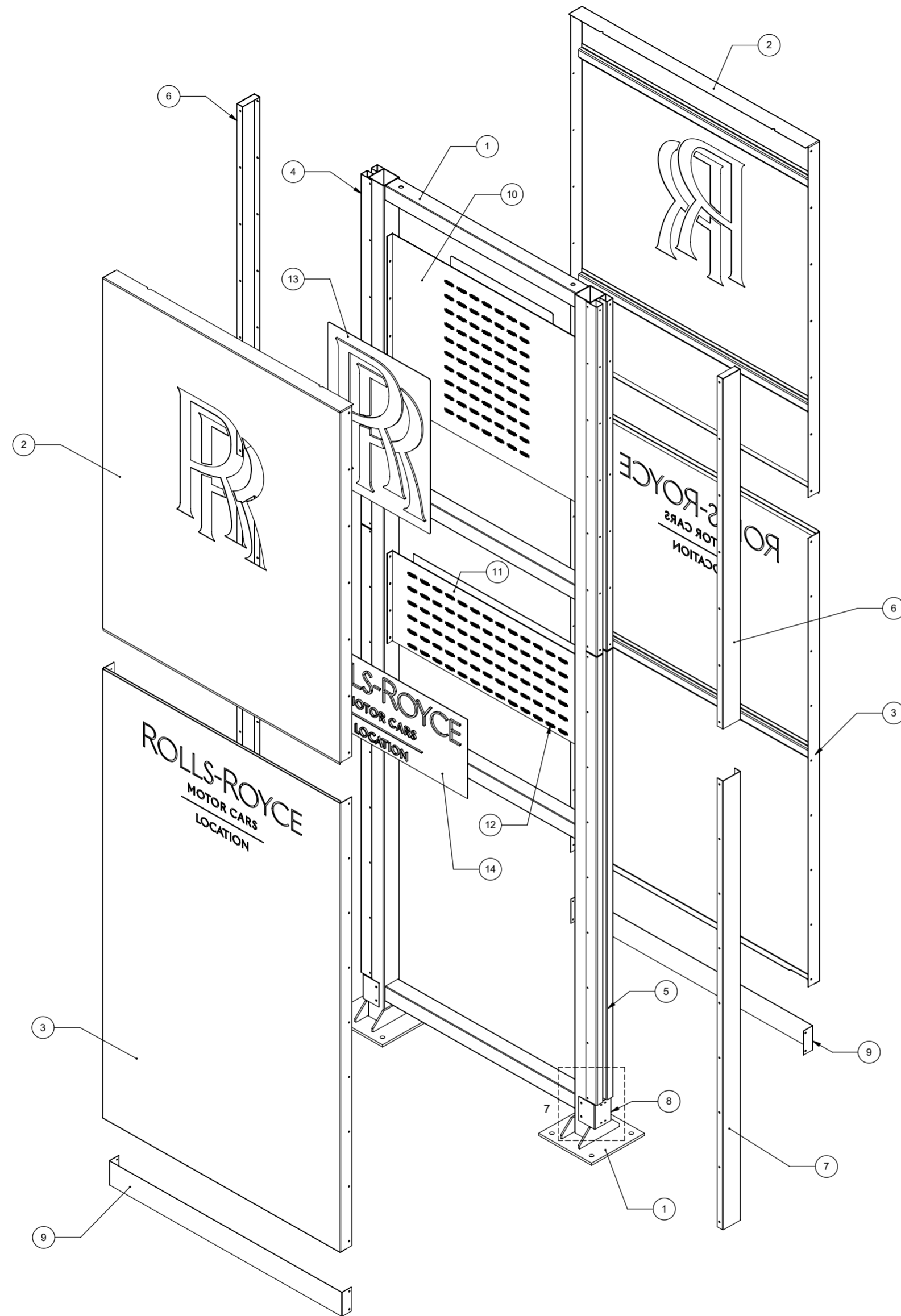


DETAIL 2  
SCALE 1:6



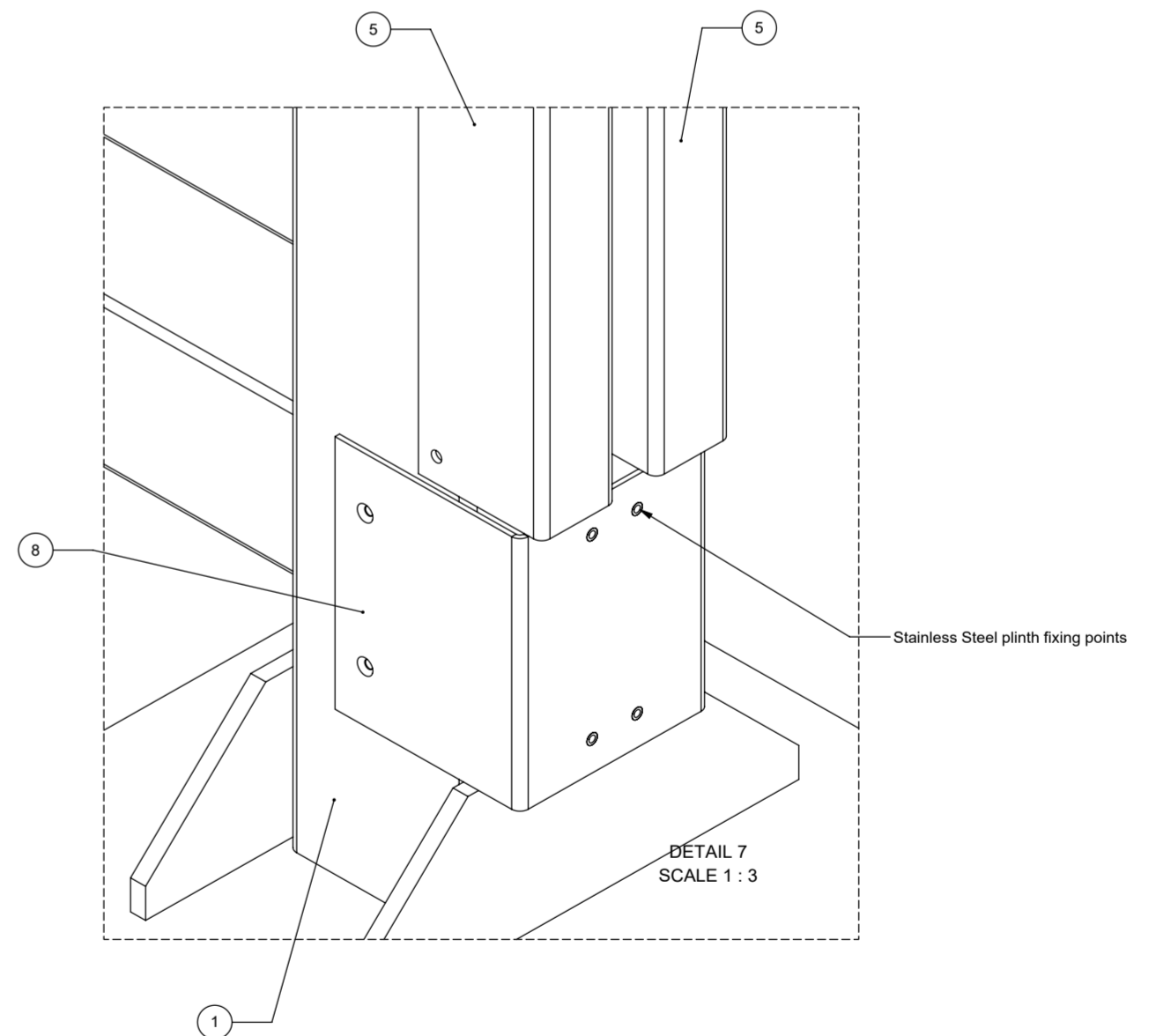
CLIENT: Rolls Royce	DRAWING No: RR-ES-008	ESTIMATED WEIGHT: - 600 KG	FINISH: See drawing notes	MATERIAL: See drawing notes	No company or person(s) are to manufacture from the drawings without carrying out full due diligence audit of them including (but not limited to) engineering, quality and compliance with applicable national and international standards and health and safety regulations, before using this information for the purposes of manufacture, or conveyance to others for the purposes of manufacture. No liability is accepted in any form for the use of these drawings by others.	COPYRIGHT © 2021 - The details shown on this drawing are confidential and are the exclusive property of Principle Group of Companies. No use, copy or its closure of this drawing may be made without written permission and it is to be returned to Principle Group of Companies upon request.		Tandem Industrial Estate Huddersfield West Yorkshire HD5 0AL United Kingdom	
DRAWING TITLE: External Totem - Large	DESIGN JOB No: RR013	DESIGN RISK ASSESSMENT REF: RR-R033	DRAWN BY: AR/BG	1st ISSUE DATE: 24.09.2021	REVISION: -	SCALE: 1:23@A2	SHEET 1 OF 2	BSI ACCREDITATION: ENVIRONMENTAL MANAGEMENT CERTIFICATE NO. FS542208 QUALITY MANAGEMENT CERTIFICATE NO. FS93787	
								DO NOT SCALE THIS DRAWING DEBUR AND BREAK SHARP EDGES ALL DIMENSIONS ARE IN MILLIMETERS	T. +44 (0) 1484 430003 F. +44 (0) 1484 430047 www.principleglobal.com

RR-ES-008 TOTEM - LARGE



ITEM NO.	DESCRIPTION	MATERIAL / FINISH	QTY.
1	RR-ES-008 Totem - Large - Internal Frame	120x120x6mm SHS S355 Steel, 15mm S355 Steel Base Plates - Powder Coated	1
2	RR-ES-008 Totem - Large - Top Face Panel	3mm Aluminium - Powder Coated RAL320 20 15 - Semi Gloss	2
3	RR-ES-008 Totem - Large - Bottom Face Panel	3mm Aluminium - Powder Coated RAL320 20 15 - Semi Gloss	2
4	RR-ES-008 Totem - Large - Fixing Channel	3mm Aluminium - Powder Coated White RAL9010 - Semi Gloss	4
5	RR-ES-008 Totem - Large - Fixing Channel - Bottom	3mm Aluminium - Powder Coated White RAL9010 - Semi Gloss	4
6	RR-ES-008 Totem - Large - Side Acrylic	3mm 1T L2 Opal Acrylic	2
7	RR-ES-008 Totem - Large - Side Acrylic - Bottom	3mm 1T L2 Opal Acrylic	2
8	RR-ES-008 Totem - Large - Plinth Fixing Channel	3mm Aluminium	2
9	RR-ES-008 Totem - Large - Plinth Panel	2mm Brushed Stainless Steel - Horizontal Grain	2
10	RR-ES-008 Totem - Large - Dibond LED Panel - Monogram	3mm White ACM (Dibond or equivalent specification)	1
11	RR-ES-008 Totem - Large - Dibond LED Panel - WordmarkL	3mm White ACM (Dibond or equivalent specification)	1
12	LED Module - 3000k Warm White	Crown Opto S0 - 300K or equivalent specification	402
13	RR-ES-008 Totem - Large - Monogram Acrylic		2
14	RR-ES-008 Totem - Large - Wordmark Acrylic		2

NOTE: ROSE GOLD TO BE BONDED TO THE ACRYLIC USING AN APPROVED BONDING METHOD - 3M 4614F D/S TAPE - PLEASE SEE GUIDE



CLIENT: Rolls Royce	DRAWING No: RR-ES-008	ESTIMATED WEIGHT: - 600 KG	FINISH: See drawing notes	MATERIAL: See drawing notes	No company or person(s) are to manufacture from the drawings without carrying out full due diligence audit of them including (but not limited to) engineering, quality and compliance with applicable national and international standards and health and safety regulations, before using this information for the purposes of manufacture, or conveyance to others for the purposes of manufacture. No liability is accepted in any form for the use of these drawings by others.	COPYRIGHT © 2021 - The details shown on this drawing are confidential and are the exclusive property of Principle Group of Companies. No use, copy or its closure of this drawing may be made without written permission and it is to be returned to Principle Group of Companies upon request.		Tandem Industrial Estate, Huddersfield West Yorkshire HD5 0AL, United Kingdom	
DRAWING TITLE: External Totem - Large - Exploded	DESIGN JOB No: RR013	DESIGN RISK ASSESSMENT REF: RR-R033	DRAWN BY: AR/BG	1st ISSUE DATE: 24.09.2021	REVISION: -	SCALE: 1:20@A2	SHEET 2 OF 2	BSI ACCREDITATION: ENVIRONMENTAL MANAGEMENT CERTIFICATE NO. FS542208 QUALITY MANAGEMENT CERTIFICATE NO. FS93787  DO NOT SCALE THIS DRAWING DEBUR AND BREAK SHARP EDGES ALL DIMENSIONS ARE IN MILLIMETERS	T. +44 (0) 1484 430003 F. +44 (0) 1484 430047 www.principleglobal.com