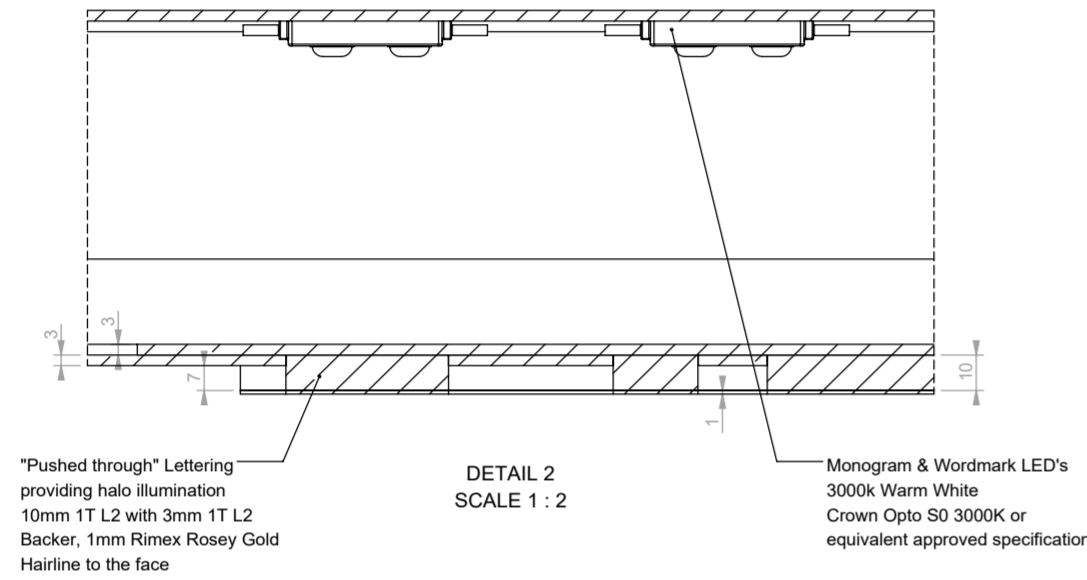
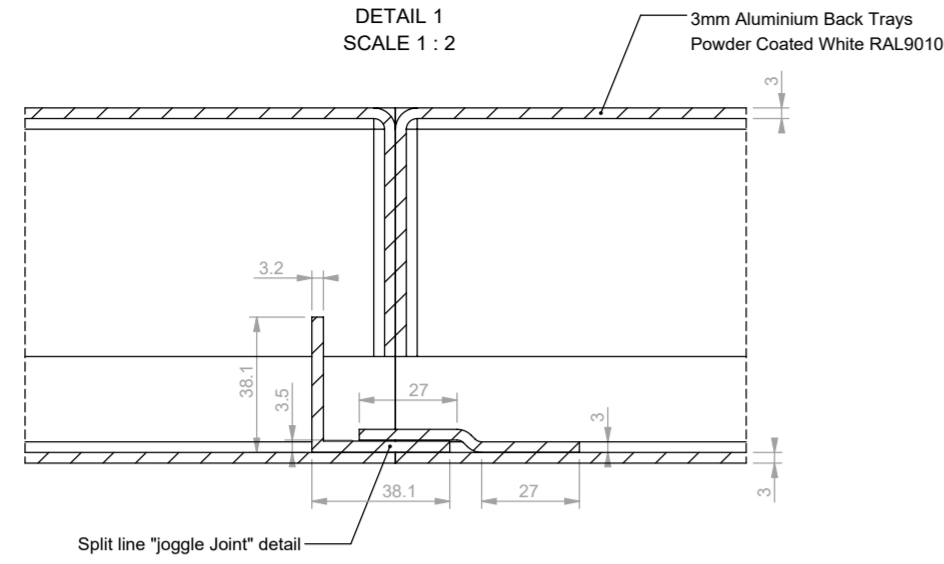


RR-ES-010 HORIZONTAL FASCIA

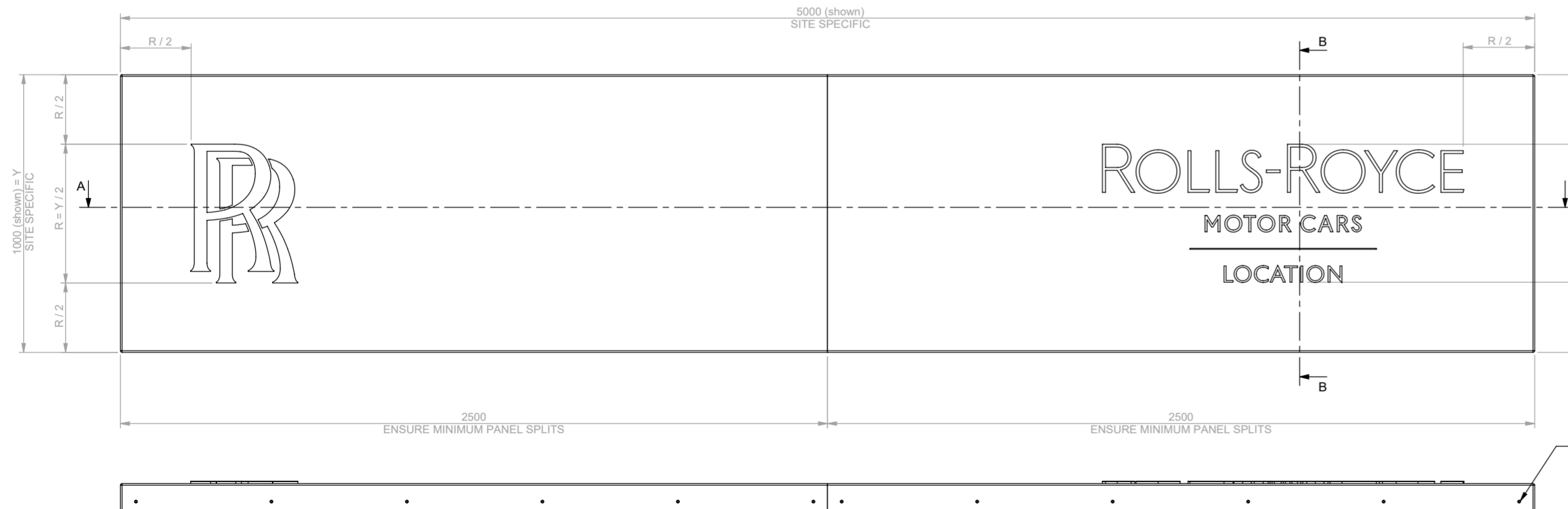
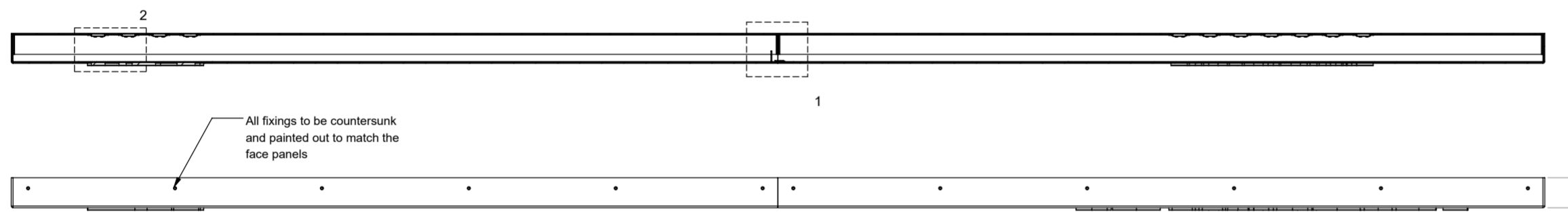
RRMC SUPPLIED ARTWORK TO BE USED FOR THE MONOGRAM & WORDMARK



NOTE: ROSE GOLD TO BE BONDED TO THE
ACRYLIC USING AN APPROVED BONDING
METHOD - 3M 4614F D/S TAPE - PLEASE SEE GUIDE



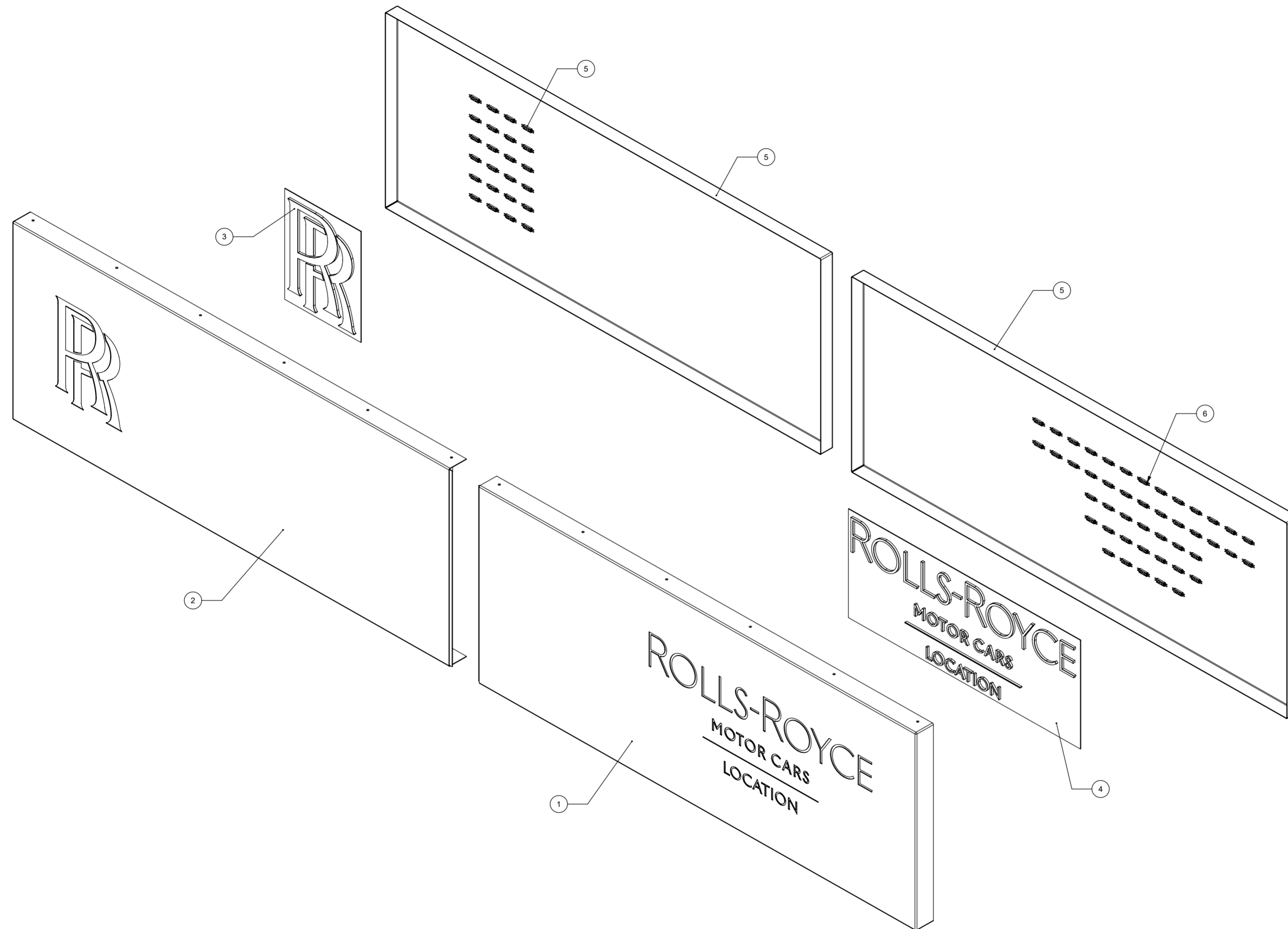
SECTION A-A
SCALE 1 : 16



CLIENT: Rolls Royce	DRAWING No: RR-ES-010	ESTIMATED WEIGHT: - 105 KG	FINISH: See drawing notes	MATERIAL: See drawing notes	No company or person(s) are to manufacture from the drawings without carrying out full due diligence audit of them including (but not limited to) engineering, quality and compliance with applicable national and international standards and health and safety regulations, before using this information for the purposes of manufacture, or conveyance to others for the purposes of manufacture. No liability is accepted in any form for the use of these drawings by others.	COPYRIGHT © 2021 - The details shown on this drawing are confidential and are the exclusive property of Principle Group of Companies. No use, copy or is closure of this drawing may be made without written permission and it is to be returned to Principle Group of Companies upon request.		Tandem Industrial Estate Huddersfield West Yorkshire HD5 0AL United Kingdom		
DRAWING TITLE: Horizontal Fascia	DESIGN JOB No: RR012	DESIGN RISK ASSESSMENT REF: RR-R036	DRAWN BY: AR	1st ISSUE DATE: 09.08.2021	REVISION: -	SCALE: 1:16@A2	SHEET 1 OF 2	BSI ACCREDITATION: ENVIRONMENTAL MANAGEMENT CERTIFICATE NO. FS542208 QUALITY MANAGEMENT CERTIFICATE NO. FS93787		DO NOT SCALE THIS DRAWING DEBUR AND BREAK SHARP EDGES ALL DIMENSIONS ARE IN MILLIMETERS

ITEM NO.	DESCRIPTION	MATERIAL / FINISH	QTY.
1	RR-ES-010 Horizontal Fascia - Face Panel A	3mm Aluminium - Powder Coated RAL320 20 15 - Semi Gloss	1
2	RR-ES-010 Horizontal Fascia - Face Panel B	3mm Aluminium - Powder Coated RAL320 20 15 - Semi Gloss	1
3	RR-ES-010 Horizontal Fascia - Monogram	10 & 3mm 1T L2 Opal Acrylic, 1mm Rimex T22 Rosey Hairline (vertical grain)	1
4	RR-ES-010 Horizontal Fascia - Wordmark	10 & 3mm 1T L2 Opal Acrylic, 1mm Rimex T22 Rosey Hairline (vertical grain)	1
5	RR-ES-010 Horizontal Fascia - Back Tray	3mm Aluminium - Powder Coated RAL9010 20% Gloss	2
6	LED Module - 3000k Warm White	Crown Opto S0 - 3000K or equivalent specification	69

NOTE: ROSE GOLD TO BE BONDED TO THE ACRYLIC USING AN APPROVED BONDING METHOD - 3M 4614F D/S TAPE - PLEASE SEE GUIDE



CLIENT: Rolls Royce	DRAWING No: RR-ES-010	ESTIMATED WEIGHT: - 105 KG	FINISH: See drawing notes	MATERIAL: See drawing notes	No company or person(s) are to manufacture from the drawings without carrying out full due diligence audit of them including (but not limited to) engineering, quality and compliance with applicable national and international standards and health and safety regulations, before using this information for the purposes of manufacture, or conveyance to others for the purposes of manufacture. No liability is accepted in any form for the use of these drawings by others.	COPYRIGHT © 2021 - The details shown on this drawing are confidential and are the exclusive property of Principle Group of Companies. No use, copy or is closure of this drawing may be made without written permission and it is to be returned to Principle Group of Companies upon request.	Tandem Industrial Estate Huddersfield West Yorkshire HD5 0AL United Kingdom	
DRAWING TITLE: Horizontal Fascia	DESIGN JOB No: RR012	DESIGN RISK ASSESSMENT REF: RR-R036	DRAWN BY: AR	1st ISSUE DATE: 09.08.2021	REVISION: -	SCALE: 1:20@A2 SHEET 2 OF 2	BSI ACCREDITATION: ENVIRONMENTAL MANAGEMENT CERTIFICATE NO. FS542208 QUALITY MANAGEMENT CERTIFICATE NO. FS93787 DO NOT SCALE THIS DRAWING DEBUR AND BREAK SHARP EDGES ALL DIMENSIONS ARE IN MILLIMETERS	T. +44 (0) 1484 430003 F. +44 (0) 1484 430047 www.principleglobal.com

