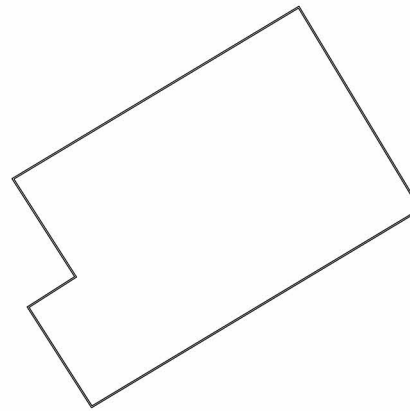
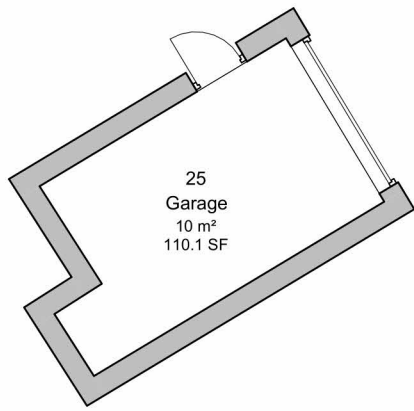


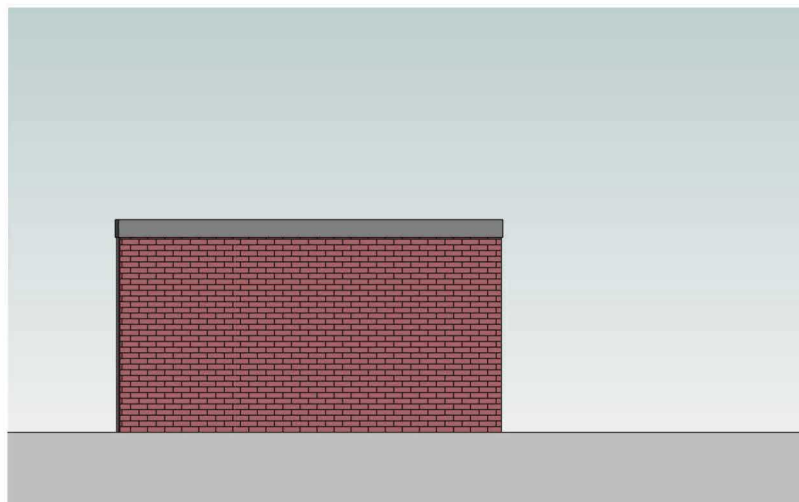
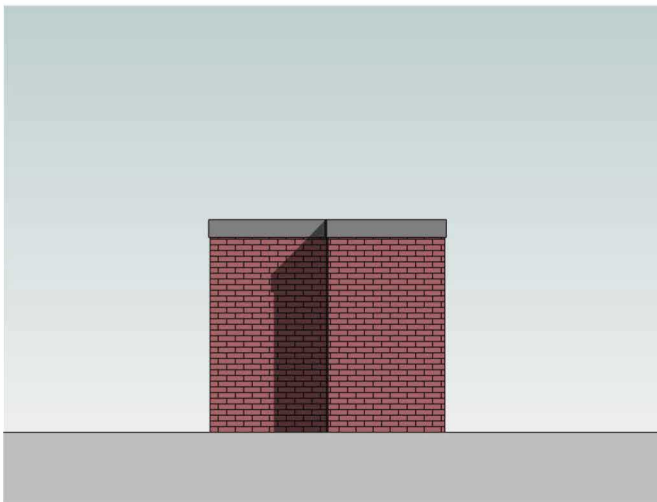


Scale 1:100



Existing Garge Ground Floor
Scale - 1 : 100

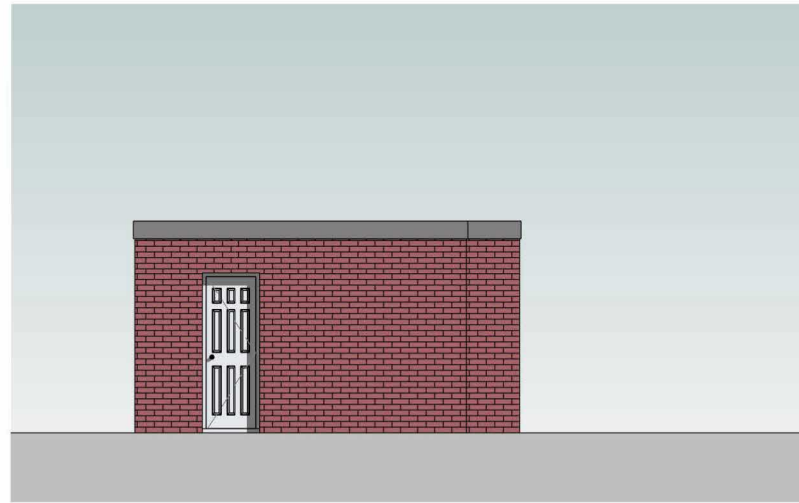
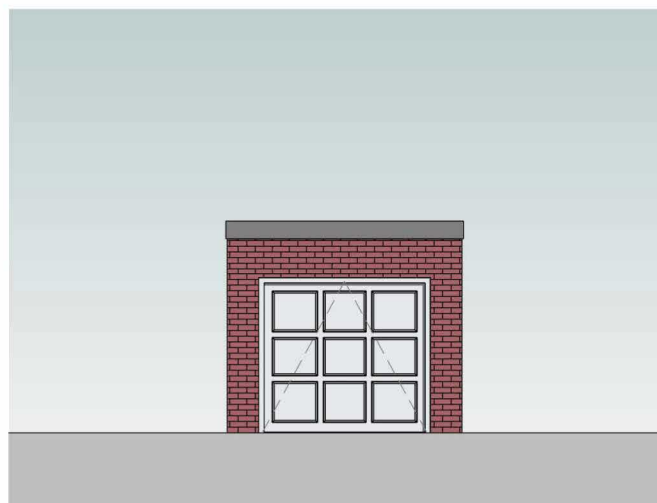
Existing Garage Roof Plan
Scale - 1 : 100



Existing South Elevation
Scale - 1 : 100

Existing East Elevation
Scale - 1 : 100

Rev	Description	Dr'n	Chk'd	Date



Existing North Elevation
Scale - 1 : 100

Existing West Elevation
Scale - 1 : 100



Project
35 Denbigh Rd Tipton

Drawing
Existing Garage Plans & Elevations

Project No.
P2322

Drawing No. 2322-AB-XX-EL-DR-A-4050-0008 Rev

Status
Planning

Created • JG Checked • AB
Date • 25/01/2024 Scale • 1:100 @ A3