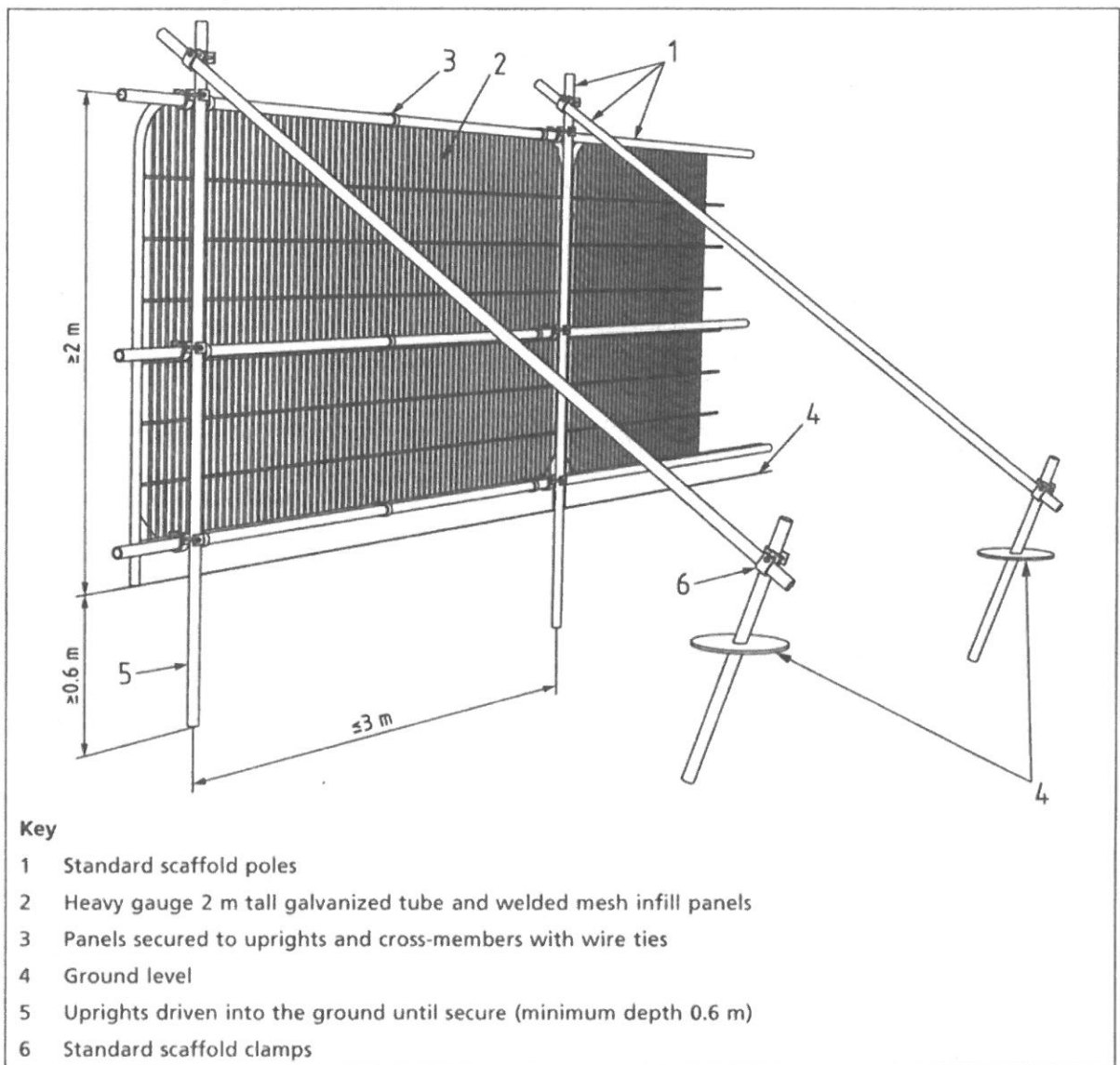
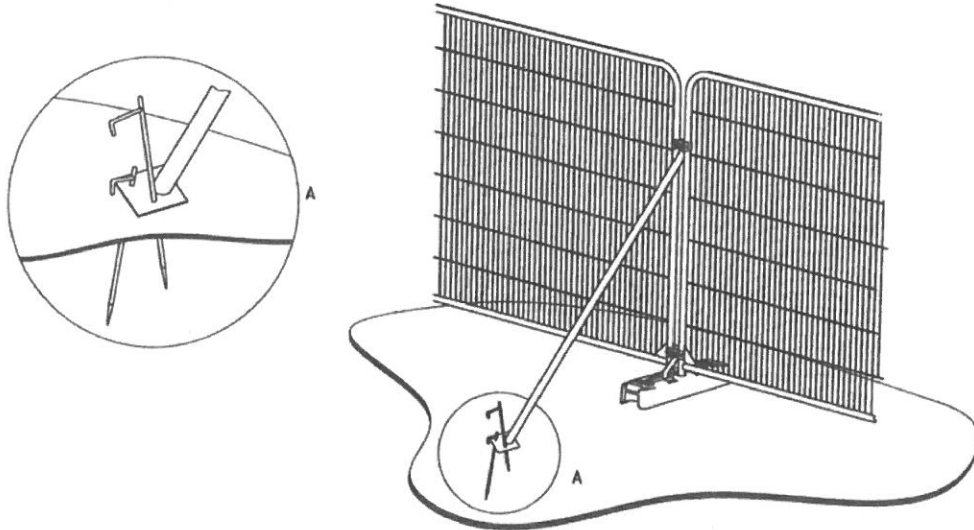


Tree Protection Fence - Default specification for protective barrier

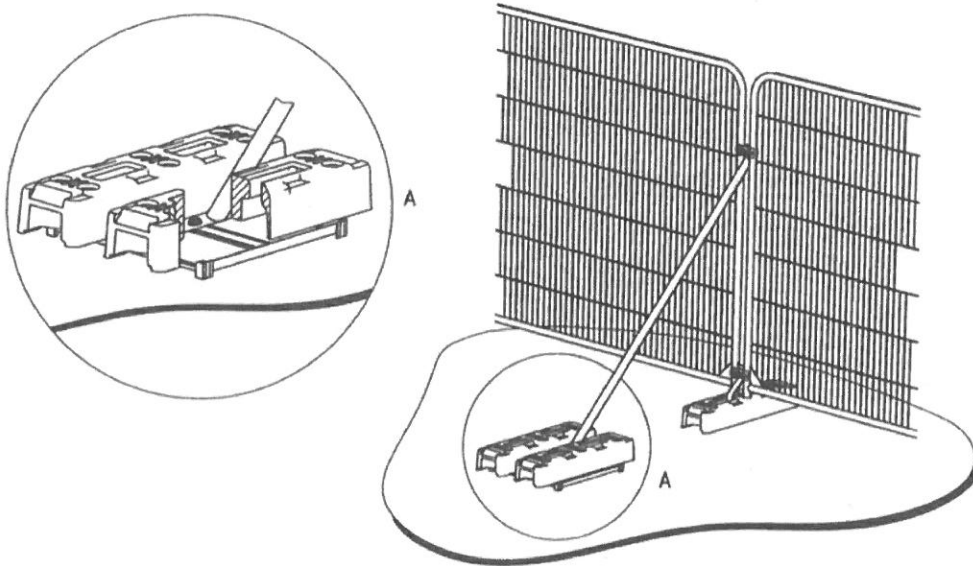
Default specification for protective barrier



Tree Protection Fence - Above ground stabilising system



a) Stabilizer strut with base plate secured with ground pins



b) Stabilizer strut mounted on block tray

Tree Protection Warning Sign



**TREE PROTECTION AREA
KEEP OUT!**

**(TOWN & COUNTRY PLANNING ACT 1990)
TREES ENCLOSED BY THIS FENCE ARE PROTECTED BY
PLANNING CONDITIONS AND/OR ARE THE SUBJECT OF A
TREE PRESERVATION ORDER.
CONTRAVENTION OF A TREE PRESERVATION ORDER MAY
LEAD TO CRIMINAL PROSECUTION**

**ANY INCURSION INTO THE PROTECTED AREA MUST BE
WITH THE WRITTEN PERMISSION OF THE LOCAL
PLANNING AUTHORITY**

Site Monitoring and Supervision Schedule

ARBORICULTURAL CONSULTANT SITE MONITORING FORM

Client contact details:

Site:

Ref:

LPA Tree Officer:

Consultant:

Date of inspection:

Accompanied by site manager

Site currently active

Previous actions complied with

INSPECTION DETAILS:

Any signs/evidence within the RPA of:

Ground contamination

Changed soil levels

Excavations

Vehicle movements

Cement washings

Material storage

Water run off

Ground compaction

Unauthorised tree works

If yes to any of the above provide details:

CONDITION OF FENCING:

Erected according to approved details

Protective signs present

Fencing in place/intact

Upright poles in ground

Bracing & clamps in place

Any signs of breach

ADDITIONAL NOTES including action taken/required:

Date of next inspection:

Copied to client

Copied to Site manager

Copied to LPA

Site Monitoring & Supervision Schedule

Constraints item	Supervision required?	Number of visits expected	Timing of site visits
Tree works operations	Yes / No		Prior to construction
Establishment of construction exclusion zones for retained trees incl. barriers and ground protection and ongoing maintenance of protection	Yes / No		Prior to site clearance and throughout development
Changes in soil levels in close proximity to retained trees	Yes / No		During site clearance phase
Excavation for foundations within RPAs	Yes / No		During construction build phase
Construction of hard surfaces within RPAs	Yes / No		Post site clearance, during construction
Protection and prevention of damage to retained tree canopies during construction	Yes / No		Post site clearance, During construction phase
Site access for construction vehicles and avoidance of compaction to the RPA of	Yes / No		During construction phase
Excavation of service trenches within RPAs of	Yes / No		During construction phase
Generic construction site constraints: 1. Site hut location 2. Temporary toilets 3. Siting of bonfires 4. Location of contaminant storage and washout	Yes / No		During construction phase
Replacement tree planting conforms with NHBC Ch.4.2 and planning conditions	Yes / No		Post construction