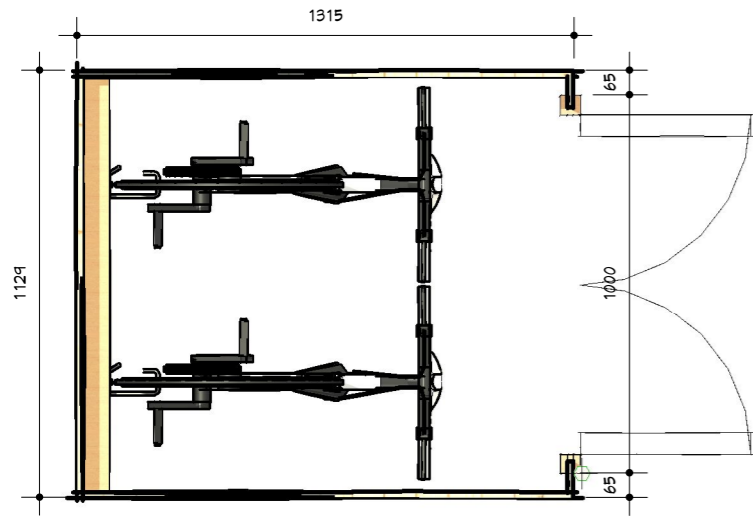
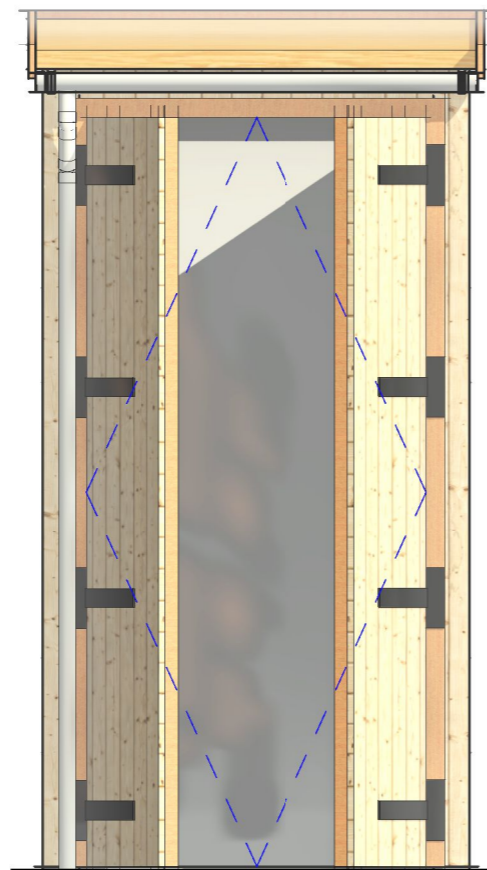


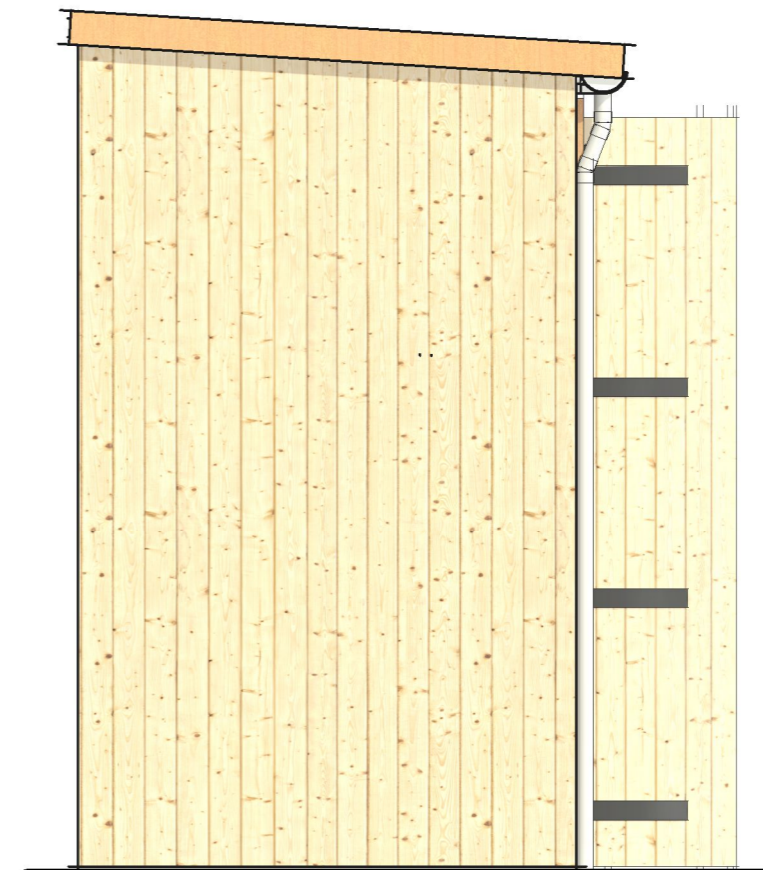
# PLANNING APPLICATION



**1 BICYCLE SHED**  
SCALE 1 : 20



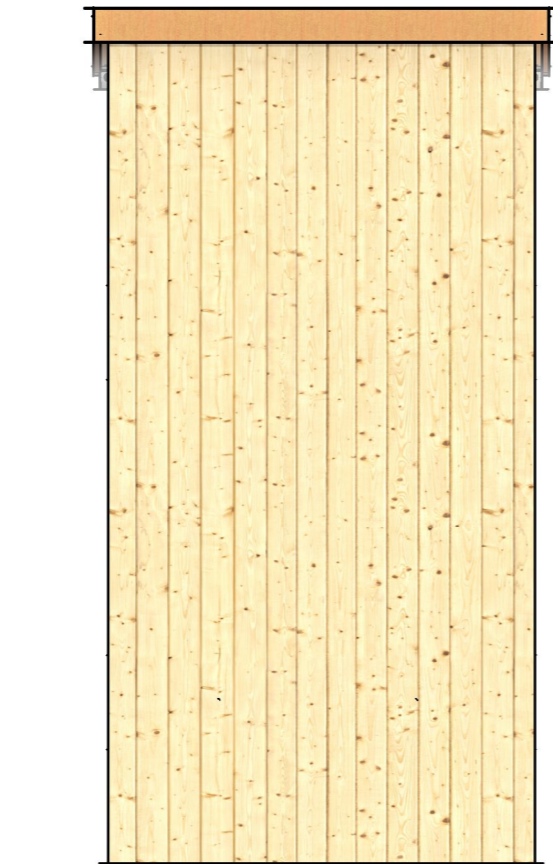
**2 ELEVATION 1 - A**  
SCALE 1 : 20



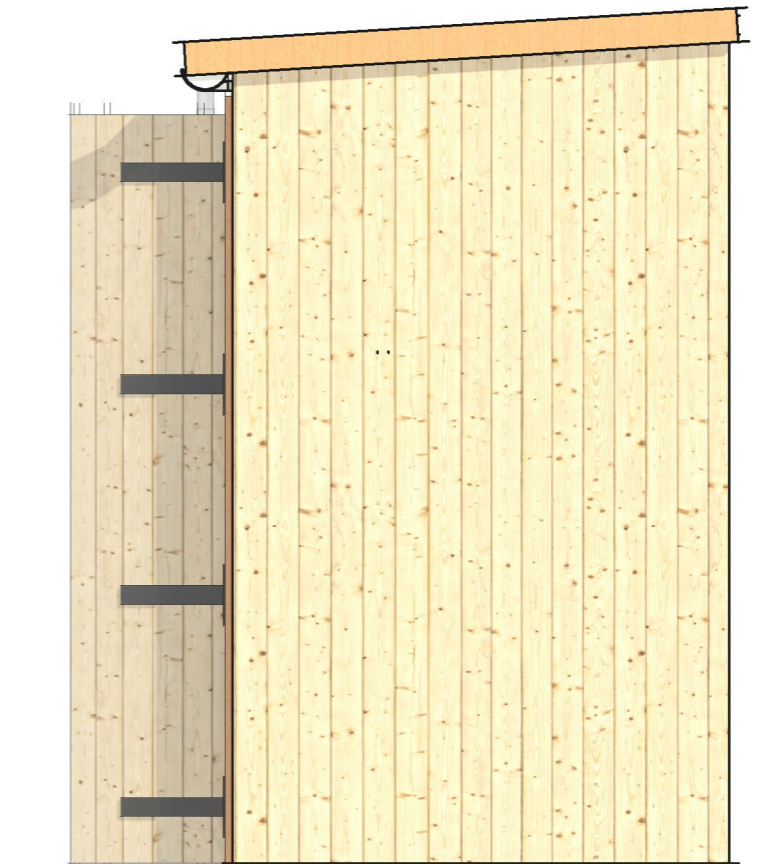
**3 ELEVATION 2 - A**  
SCALE 1 : 20



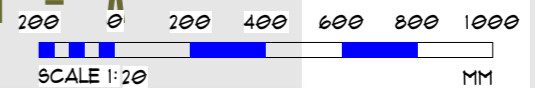
**6 BICYCLE SHED**  
SCALE 1 : 1



**4 ELEVATION 3 - A**  
SCALE 1 : 20



**5 ELEVATION 4 - A**  
SCALE 1 : 20



Client's Name  
**EMMANUEL EHBHATHOMHAN**  
Address  
**9 SAWPIT ROAD  
BLACKBIRDLEYS, OXFORD  
OX4 6BD**

Project No. M18/P.A/05/JAN/24



Revisions


Project North



Scale As indicated

**BICYCLE SHED**

**22-A108**