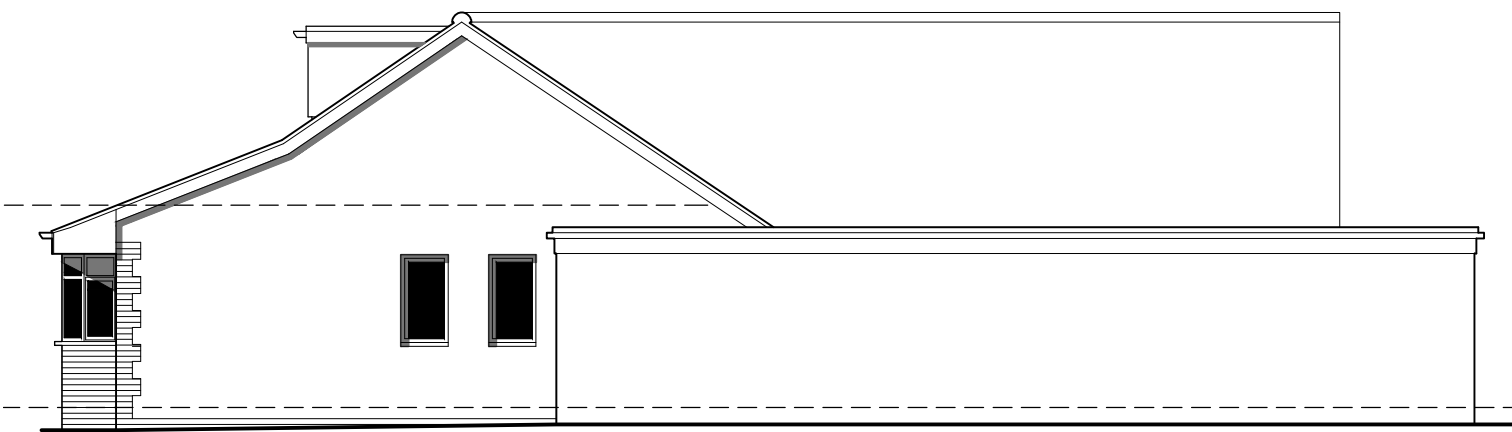


SIDE ELEVATION



FRONT ELEVATION



SIDE ELEVATION

|          |  |       |         |
|----------|--|-------|---------|
| REVISION |  |       |         |
| CLIENT   | MR C DEVENISH                          |       |         |
| PROJECT  | 74 OVERSTONE ROAD<br>SYWELL<br>NN6 0AW |       |         |
| TITLE    | ELEVATIONS AS EXISTING                 |       |         |
| DRWG NO. | DEV                                    | 565   | SUR 020 |
| 1:100    |  |       |         |
| DATE     | 01/24                                  | SCALE | 1:100   |

russell  
parkhill

architects  
limited

■ t : 0772 400 8705  
 ■ e : russell@rparchitect.co.uk  
 ■ www.rparchitect.co.uk  
 ■ 34 belfry lane, collingtree, northampton, nn4 0pb