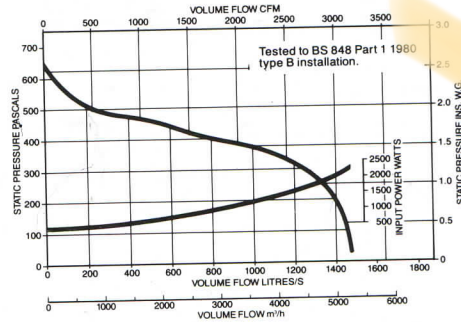
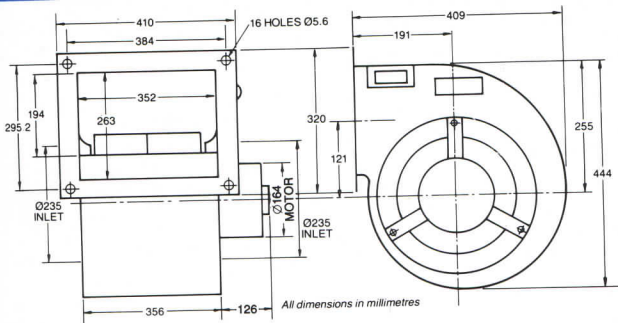


DATA • DOUBLE INLET, DOUBLE WIDTH FANS



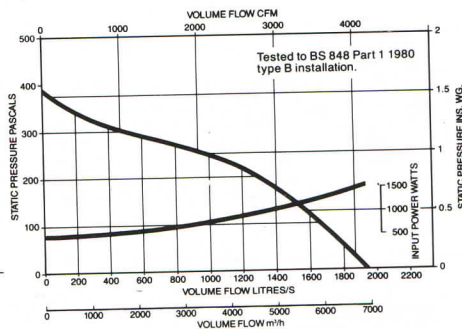
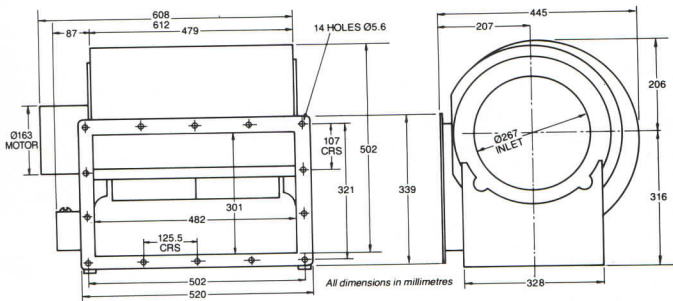
102 H2WL/4

Double inlet fan utilizing fan housing fabricated from zinc mild steel with integral outlet flange and double width steel impeller. The unit is directly driven by a motor mounted in one inlet via resiliently located brackets. Mounting: from holes provided in outlet flange. Weight: 21.2Kg.

MOTOR
Type: Permanent split capacitor, ventilated enclosure.
Speed: 4 pole approx 1400 rev/m.
Rated output: 750 watts, continuous, air over motor.
Insulation: Class B (BS 5000 Part II).

Electrical supply: 240v. 1ph. 50hz.
Max input power: 2500 watts.
Max running current: 10A.
Starting current: approx 30A.
Electrical connection: Via terminal block mounted on side of fan housing.

Octave band centre frequency Hz	63	125	250	500	1000	2000	4000	8000	
Open inlet sound power level dBw	69	78.5	75	71	71.5	70	68.5	67.5	
'A' weighted sound pressure level at 3 metres dBA	23	42.5	46	37.5	51	50.5	49	46	
Overall sound power level ΔdBw									82
Overall 'A' weighted sound pressure level at 3 metres dBA									56



114 J2WL

Double inlet fan utilizing fan housing fabricated from zinc mild steel with integral outlet flange and mounting feet. The double width impeller is of steel construction and directly driven by a motor mounted in one inlet. The motor is located via 4 resilient mounting brackets. Mounting: Normally from the integral feet, offering top horizontal, bottom horizontal and vertical discharge positions. Weight: 35Kg

MOTOR
Type: Permanent split capacitor, ventilated enclosure.
Speed: 6 pole approx 950 rev/m.
Rated output: 900 watts, continuous, air over motor.
Insulation: Class B (BS 5000 Part II).

Electrical supply: 220/240v. 1ph. 50hz.
Max input power: 1600 watts.
Max running current: 7 A.
Starting current: 21 A.
Electrical connection: Via terminal block mounted on side of fan housing.

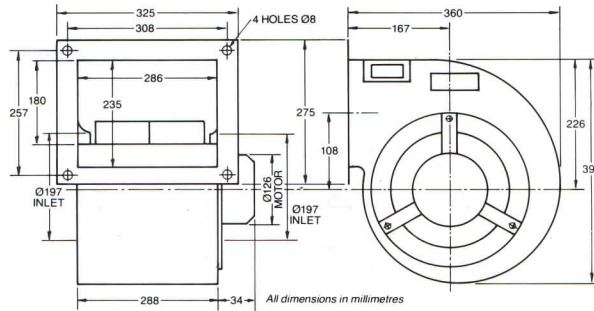
- (i) Dimensions are for guidance only – certified drawing available.
- (ii) All fans for handling clean air at ambients up to 40°C
- (iii) Fans not suitable for handling explosive, inflammable or corrosive gases, nor should they be sited where such conditions prevail.

- (iv) Fans must be mounted with motor shaft horizontal.
- (v) All fans have a blue epoxy powder painted finish.
- (vi) Refer to price list for availability.

DATA • DOUBLE INLET, DOUBLE WIDTH FANS

90 G2WL

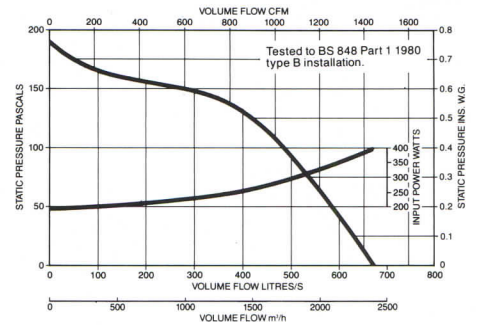
Double inlet fan utilizing fan housing fabricated from zintec mild steel with integral outlet flange, and double width aluminium impeller. The unit is directly driven by a motor mounted in one inlet via resiliently located brackets. Mounting: from holes provided in outlet flange. Weight: 10.4Kg.



MOTOR

Type: Permanent split capacitor, ventilated enclosure.
Speed: 6 pole approx 900 rev/m.
Rated output: 120 watts, continuous, air over motor.
Insulation: Class B (BS 5000 Part II).

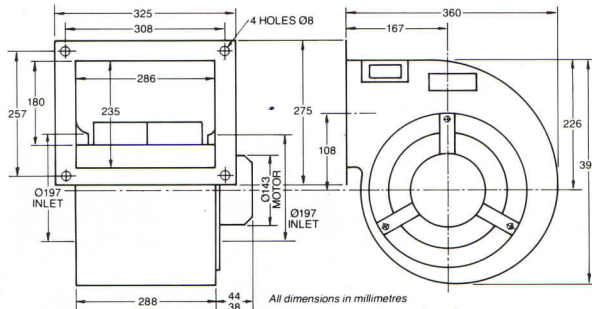
Electrical supply: 220/240v. 1ph. 50hz.
Max input power: 400 watts.
Max running current: 2.0 A.
Starting current: approx 6 A.
Electrical connection: Via terminal block mounted on side of fan housing.



Octave band centre frequency Hz	63	125	250	500	1000	2000	4000	8000	
Open inlet sound power level dBw	54.5	64.5	59.5	58	58	55	53.5	51.5	
'A' weighted sound pressure level at 3 metres dBA	18.5	28.5	30.5	34.5	37.5	35.5	34	30	
Overall sound power level Σ dBw								68	
Overall 'A' weighted sound pressure level at 3 metres dBA								42.5	

90 G2WL/4

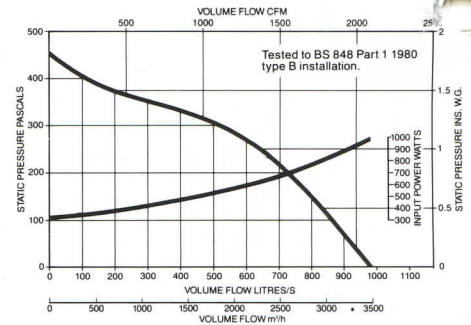
Double inlet fan utilizing fan housing fabricated from zintec mild steel with integral outlet flange and double width steel impeller. The unit is directly driven by a motor mounted in one inlet via resiliently located brackets. Mounting: from holes provided in outlet flange. Weight: 10.4Kg.



MOTOR

Type: Permanent split capacitor, ventilated enclosure.
Speed: 4 pole approx 1400 rev/m.
Rated output: 520 watts, continuous, air over motor.
Insulation: Class B.

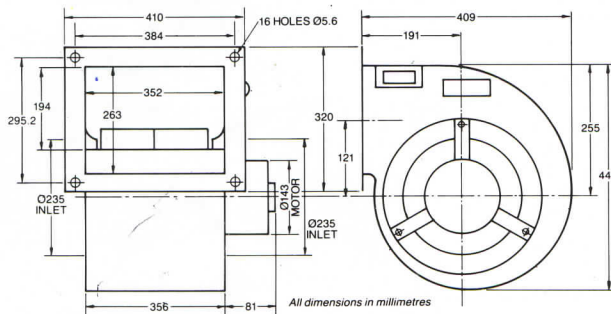
Electrical supply: 220/240v. 1ph. 50hz.
Max input power: 1000 watts.
Max running current: 4.5 A.
Starting current: approx 14 A.
Electrical connection: Via terminal block mounted on side of fan housing.



Octave band centre frequency Hz	63	125	250	500	1000	2000	4000	8000	
Open inlet sound power level dBw	64	74.5	71	65.5	65.5	63	62	60	
'A' weighted sound pressure level at 3 metres dBA	18	38.5	42	42	45	43.5	42.5	38.5	
Overall sound power level Σ dBw								77.5	
Overall 'A' weighted sound pressure level at 3 metres dBA								51	

102 H2WL

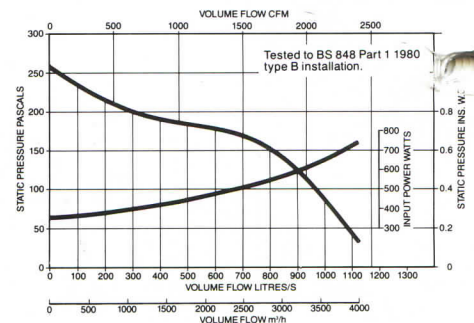
Double inlet fan utilizing fan housing fabricated from zintec mild steel with integral outlet flange, and double width aluminium impeller. The unit is directly driven by a motor mounted in one inlet via resiliently located brackets. Mounting: from holes provided in outlet flange. Weight: 15.4Kg.



MOTOR

Type: Permanent split capacitor, ventilated enclosure.
Speed: 6 pole approx 950 rev/m.
Rated output: 320 watts, continuous, air over motor.
Insulation: Class B.

Electrical supply: 220/240v. 1ph. 50hz.
Max input power: 750 watts.
Max running current: 3.5 A.
Starting current: approx 11.5 A.
Electrical connection: Via terminal block mounted on side of fan housing.



Octave band centre frequency Hz	63	125	250	500	1000	2000	4000	8000	
Open inlet sound power level dBw	62	72	66.5	62.5	62	60.5	59	58	
'A' weighted sound pressure level at 3 metres dBA	16	26	37.5	39	41.5	41	39.5	36.5	
Overall sound power level Σ dBw								74.5	
Overall 'A' weighted sound pressure level at 3 metres dBA								47.5	

- (i) Dimensions are for guidance only – certified drawing available.
- (ii) All fans for handling clean air at ambients up to 40°C
- (iii) Fans not suitable for handling explosive, inflammable or corrosive gases, nor should they be sited where such conditions prevail.
- (iv) Fans must be mounted with motor shaft horizontal.
- (v) All fans have a blue epoxy powder painted finish.
- (vi) Refer to price list for availability.