

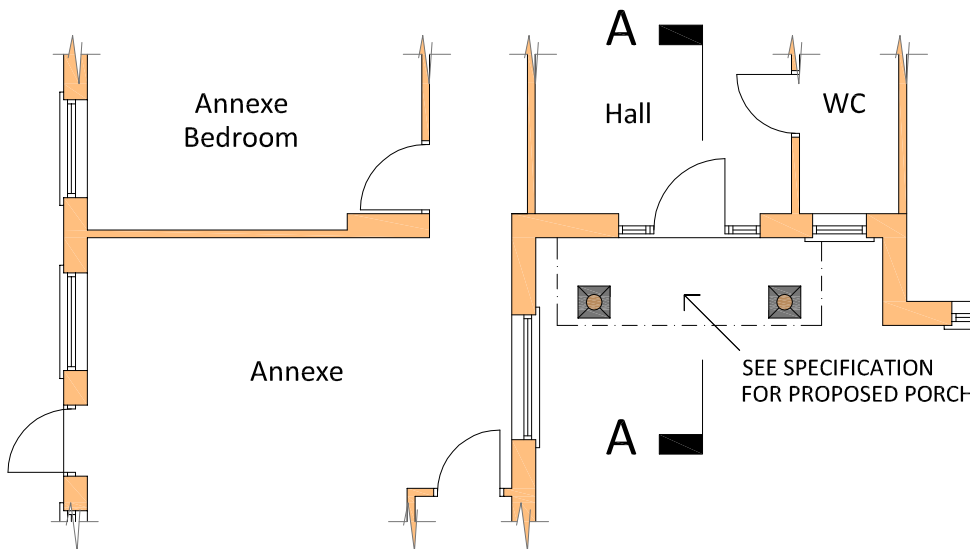


Front Elevation

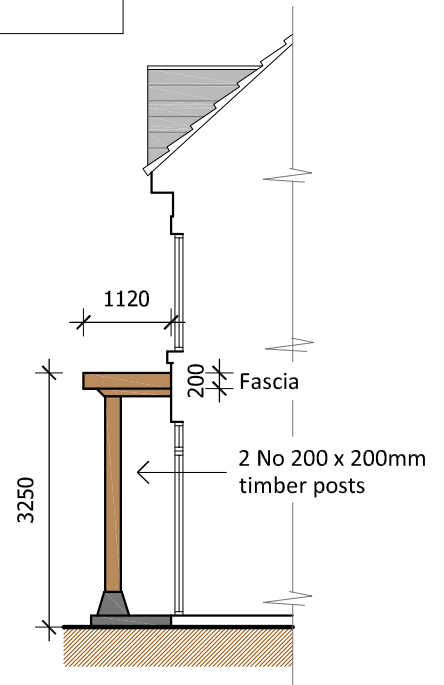
SPECIFICATION FOR PROPOSED PORCH

All timber to be Fresh Sawn Euro Oak

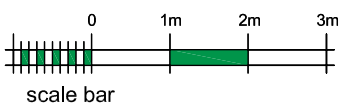
- Posts - 200 x 200mm
- Eaves - 200 x 200mm
- Joist - 150 x 50mm
- Fascia - 50 x 200mm
- Corner Braces



Part Plan



Section AA



PROPOSED PORCH

**Amendment to Planning
Permission 22/0336/HH**

Justin Middleton
Marylees,
Shuttleworth Lane
LE9 1RF

dwg no:- 22.14.03 scale:- 1:100 (A4) date:- Mar 2024

pgs design

mobile:- 07827 930918
pgsdesign2014@gmail.com