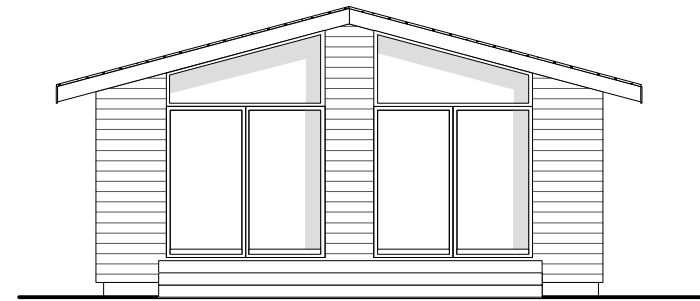
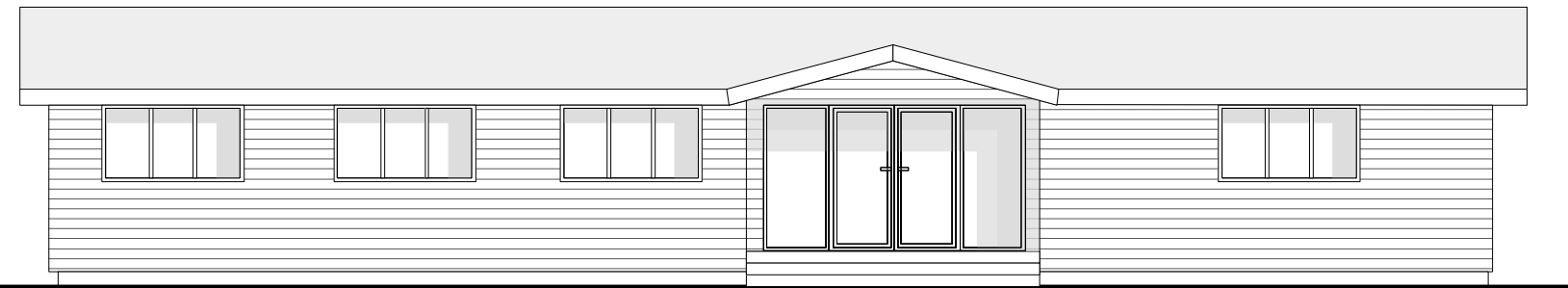


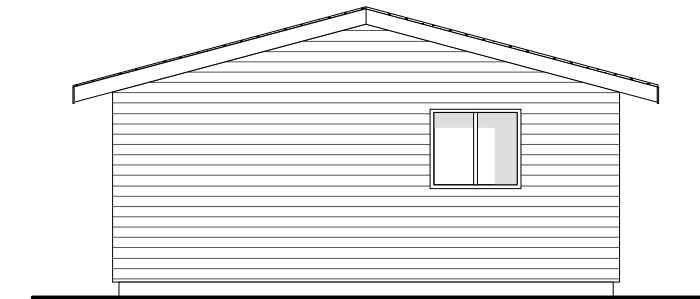
North Elevation



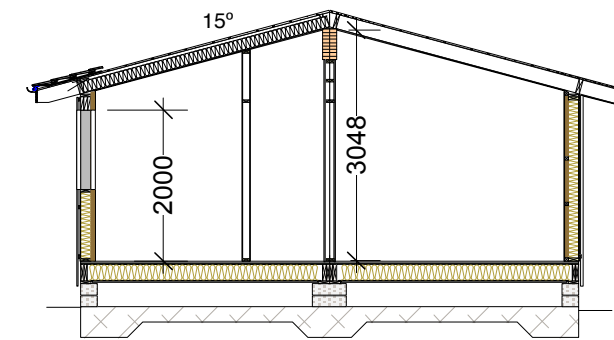
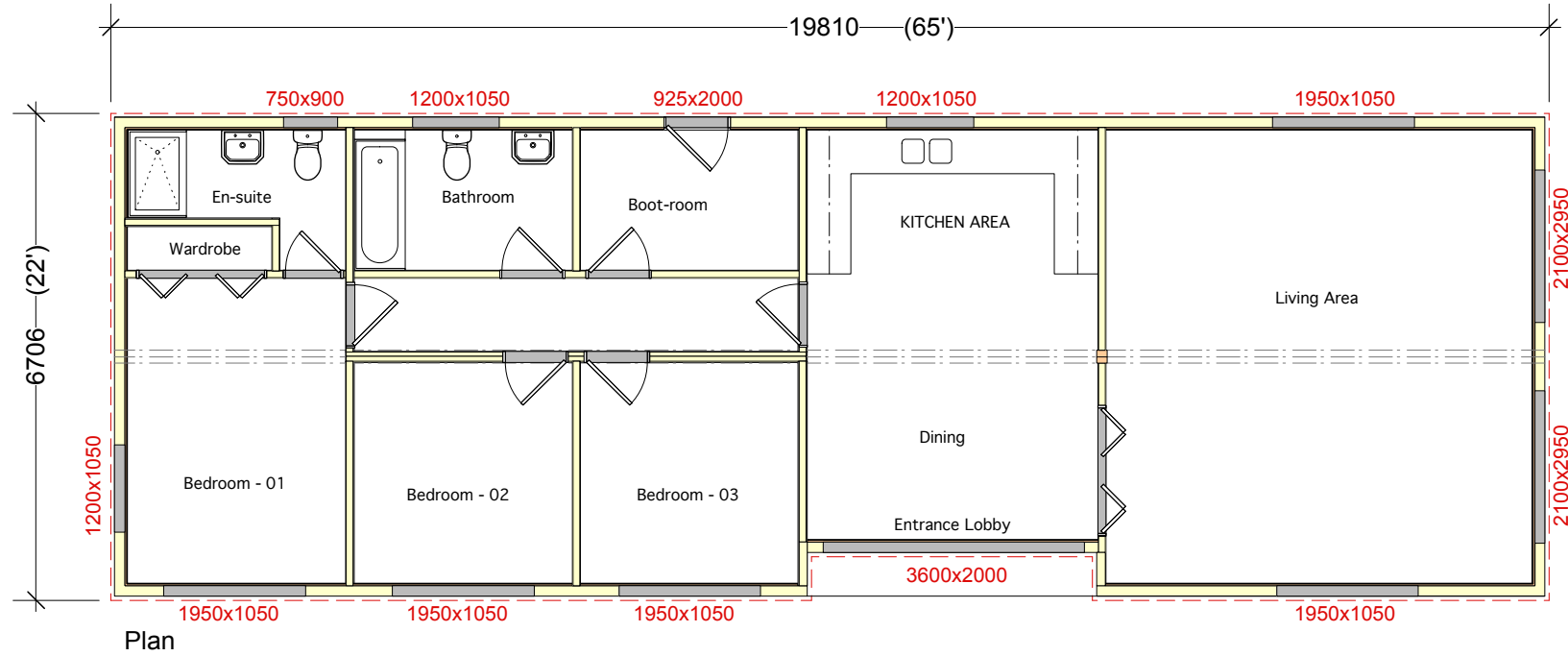
Front Gable Elevation



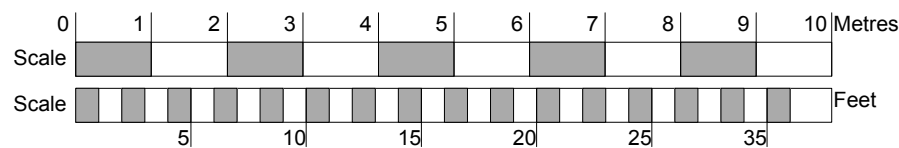
South / Front Elevation



Rear Elevation



Section



PROJECT:- **Wright & Lovett**

Setting out plan, Section and Elevations

SIGNED  
CUSTOMER:

DATE:

Scale 1:100  
@ A3

REV A

