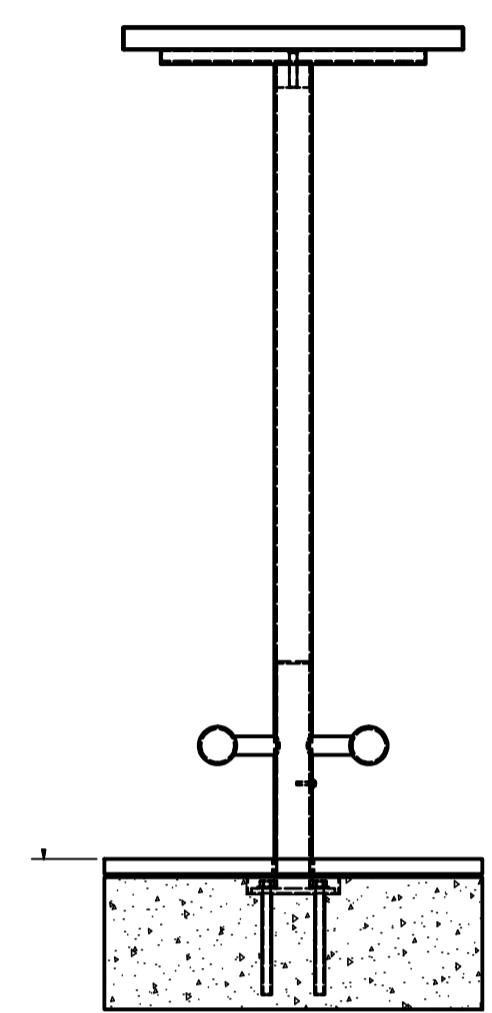
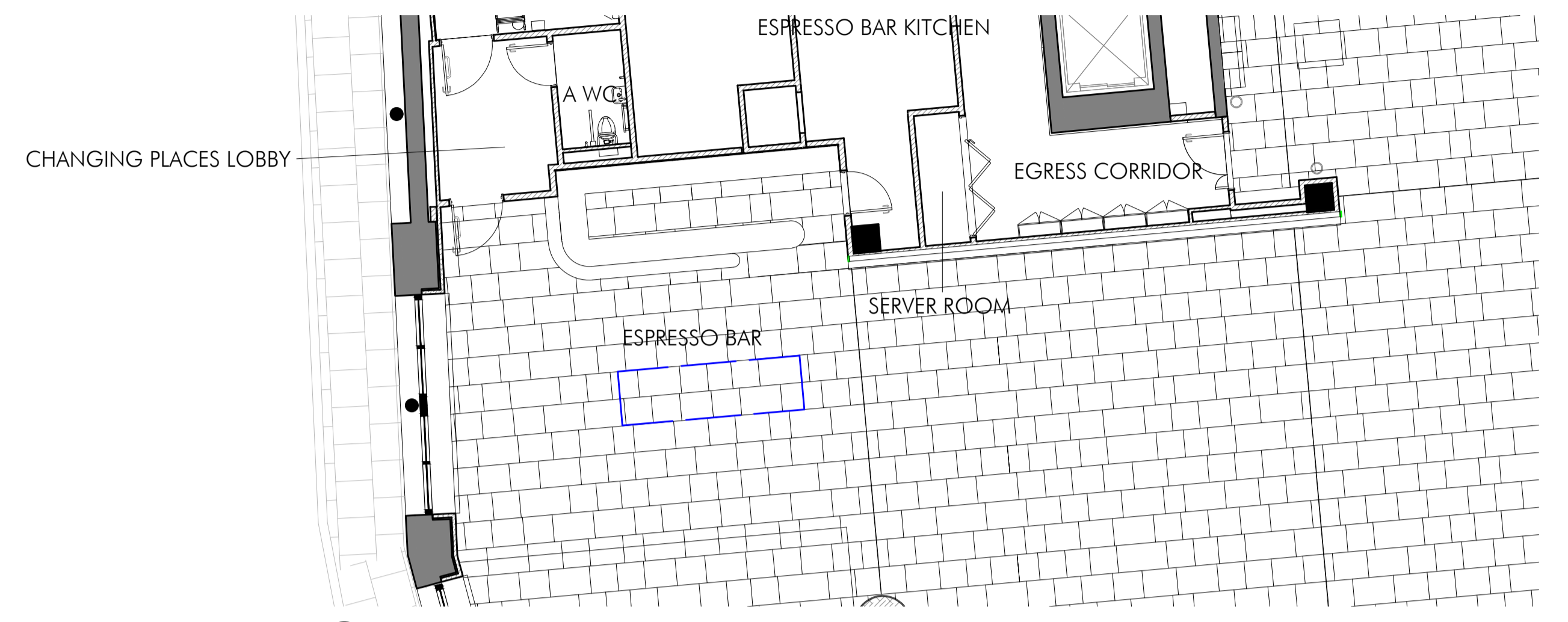


1 Proposed Espresso Bar Standing Counter Elevation  
002 1:10 @ A1



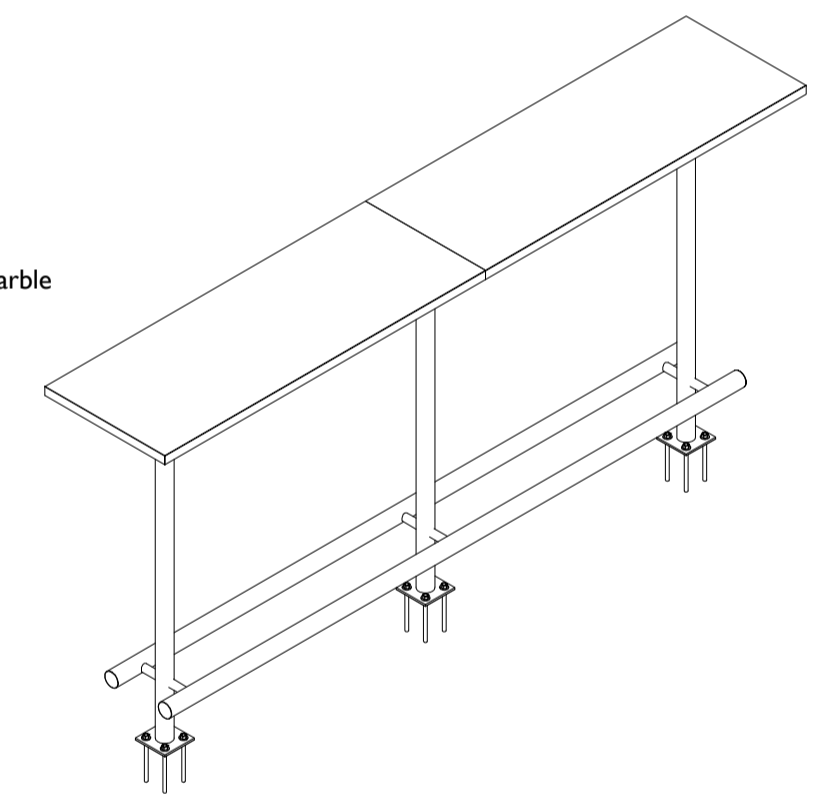
2 Proposed Espresso Bar Standing Counter Section  
002 1:10 @ A1



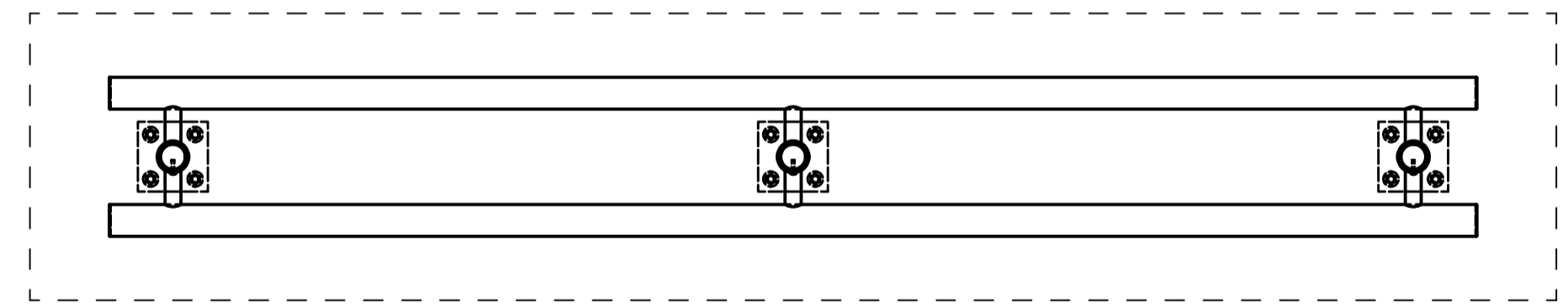
6 Key Plan - Espresso Bar As Shown on the Consented Drawings  
010 1:100 @ A1



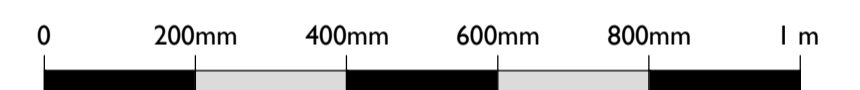
3 Proposed Espresso Bar Standing Counter Top View  
002 1:10 @ A1



5 Proposed Espresso Bar Standing Counter Isometric  
002 Not To Scale



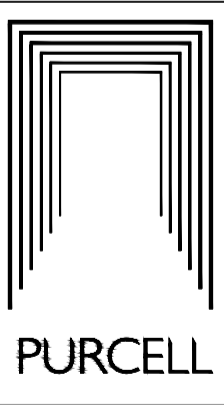
4 Proposed Espresso Bar Standing Counter Detail Plan Cut  
002 1:10 @ A1



**Notes:**  
 Drawings are based on survey data and may not accurately represent what is physically present.  
 Do not scale from this drawing. All dimensions are to be verified on site before proceeding with the work.  
 All dimensions are in millimeters unless noted otherwise.  
 Purcell shall be notified in writing of any discrepancies.

PL08	01/03/2024	AS	MM	Issued for Planning
REV	DATE	BY	CHK	DESCRIPTION

CLIENT  
**The National Gallery**  
 PROJECT  
**NG200: Welcome**  
 JOB NUMBER  
**241288**



TITLE  
**Sainsbury Wing Ground Floor**  
**Espresso Bar Standing Counter**

SIZE	SCALE	LAST REVISED	DRAWN	CHECKED
A1L		01/03/2024	AS	MM

REV  
**PL08** Issued for Planning  
 DRAWING NAME  
**NG200-RCL-Ss\_40\_15\_44-SW0-DG-X-00002**