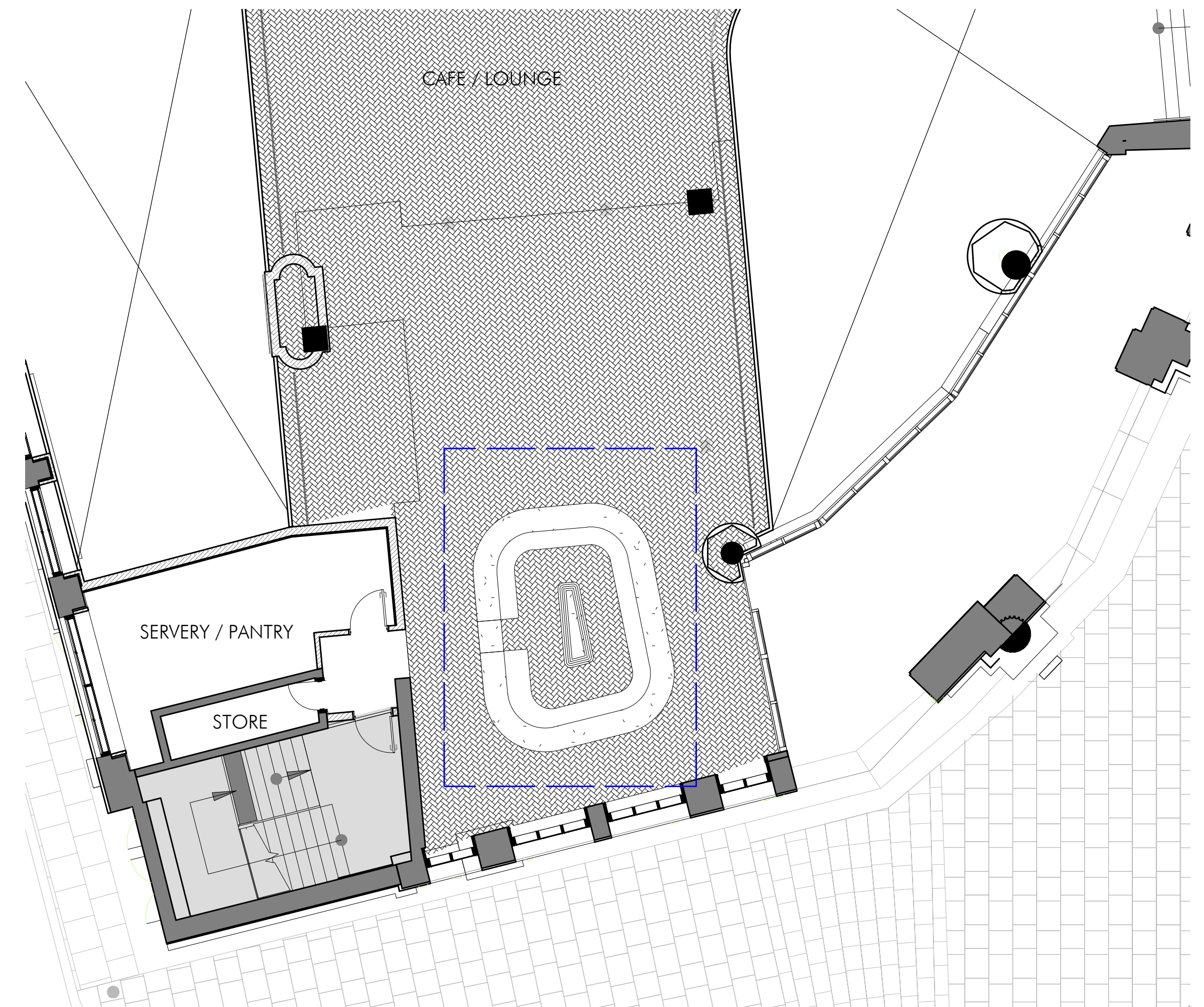
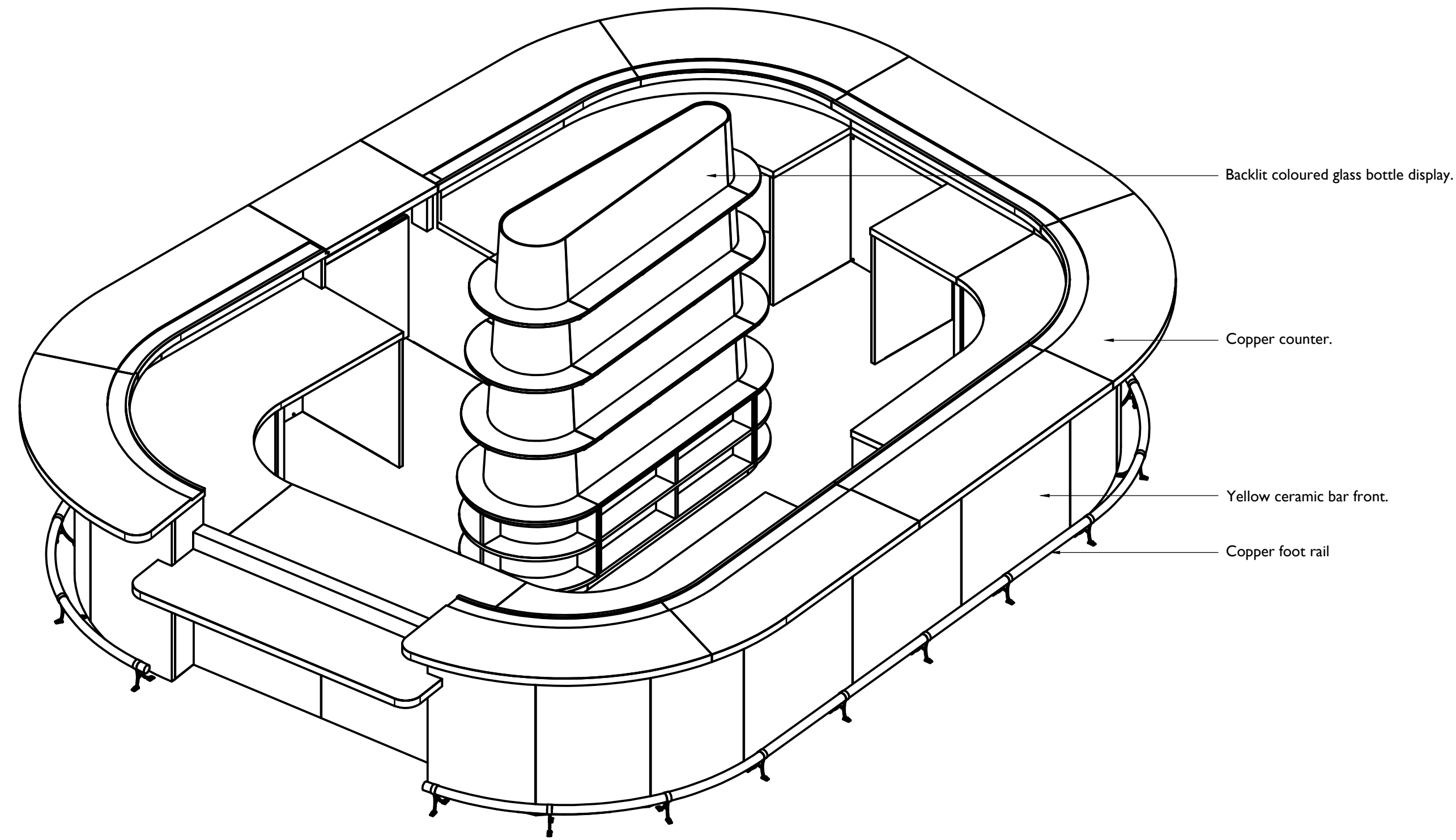


1 Proposed First Floor Bar Plan  
014 1:20 @ A1



4 Key Plan - Bar As Shown on the Consented Drawings  
010 1:100 @ A1



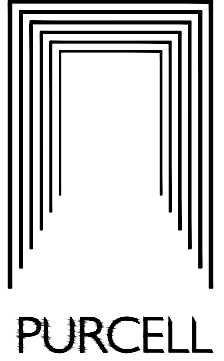
2 Proposed First Floor Bar Isometric View  
014 Not To Scale



**Notes:**  
 Drawings are based on survey data and may not accurately represent what is physically present.  
 Do not scale from this drawing. All dimensions are to be verified on site before proceeding with the work.  
 All dimensions are in millimeters unless noted otherwise.  
 Purcell shall be notified in writing of any discrepancies.

PL08	01/03/2024	AS	MM	Issued for Planning
REV	DATE	BY	CHK	DESCRIPTION

CLIENT  
**The National Gallery**  
 PROJECT  
**NG200: Welcome**  
 JOB NUMBER  
**241288**



TITLE  
**Sainsbury Wing Proposed First Floor Bar Joinery**

SIZE	SCALE	LAST REVISED	DRAWN	CHECKED
A1L		01/03/2024	AS	MM

REV  
 SUITABILITY/REASON FOR ISSUE  
**PL08 Issued for Planning**  
 DRAWING NAME  
**NG200-RCL-Ss\_40\_15\_44-SW1-DG-X-00014**