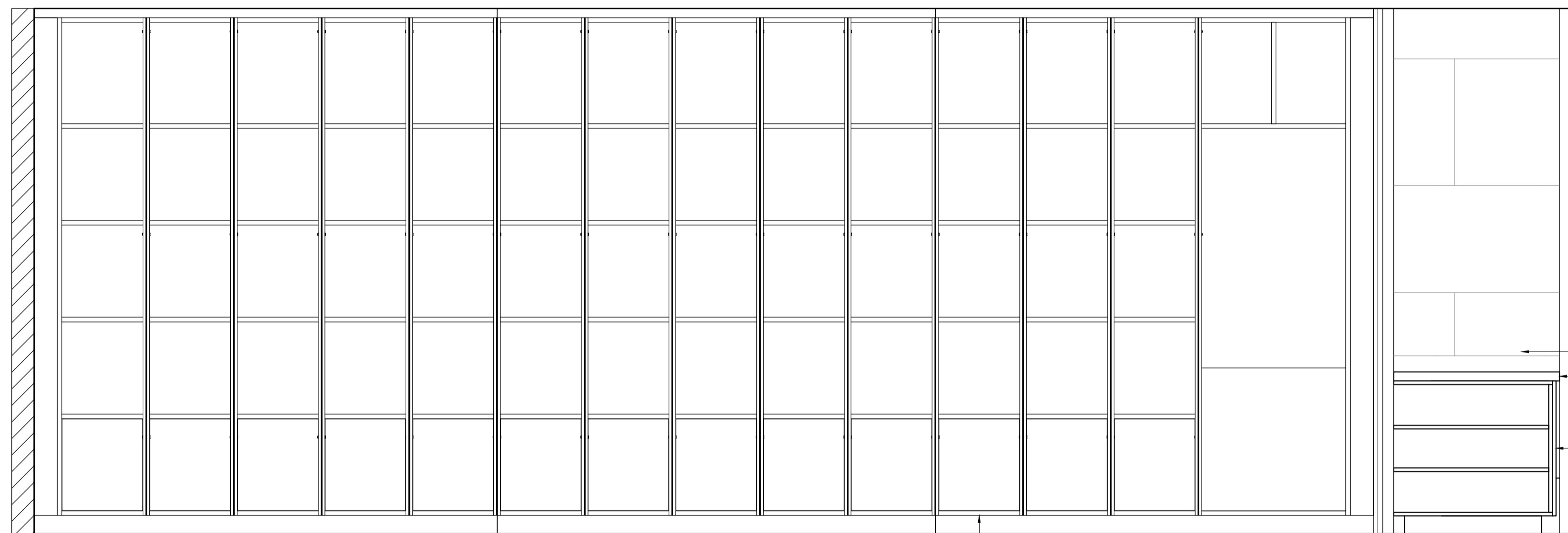
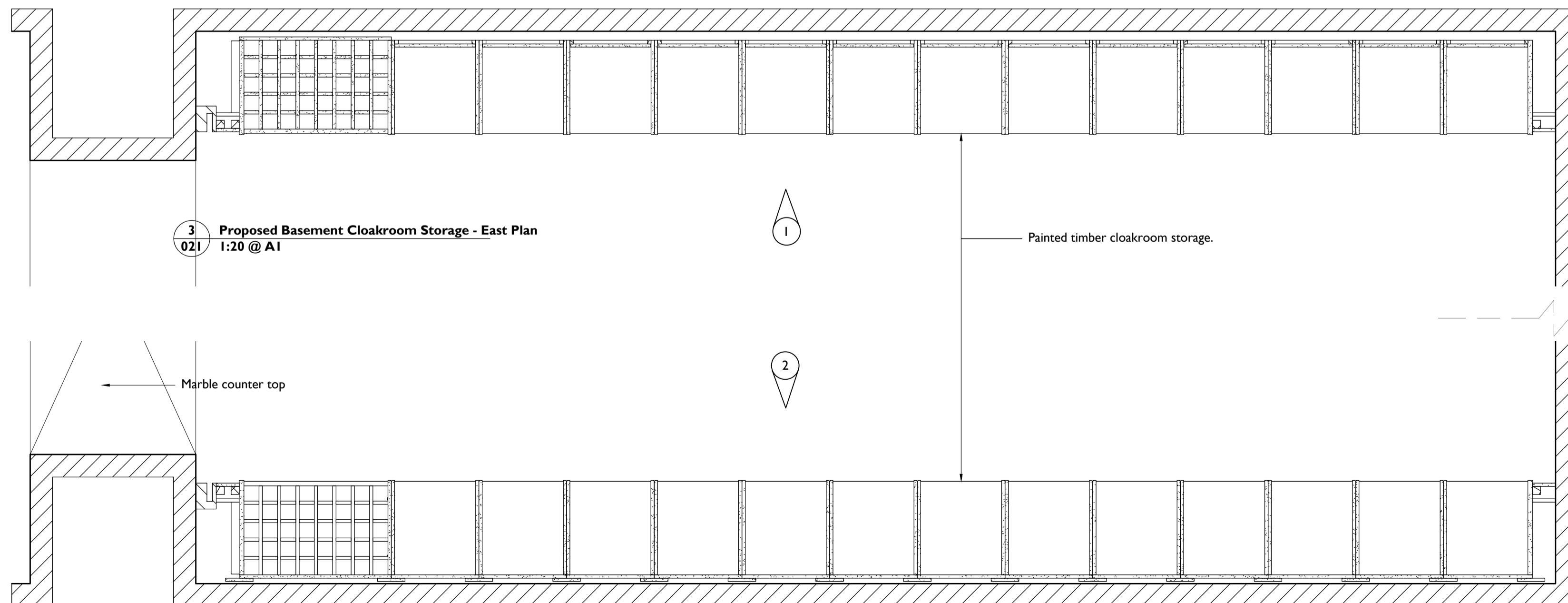


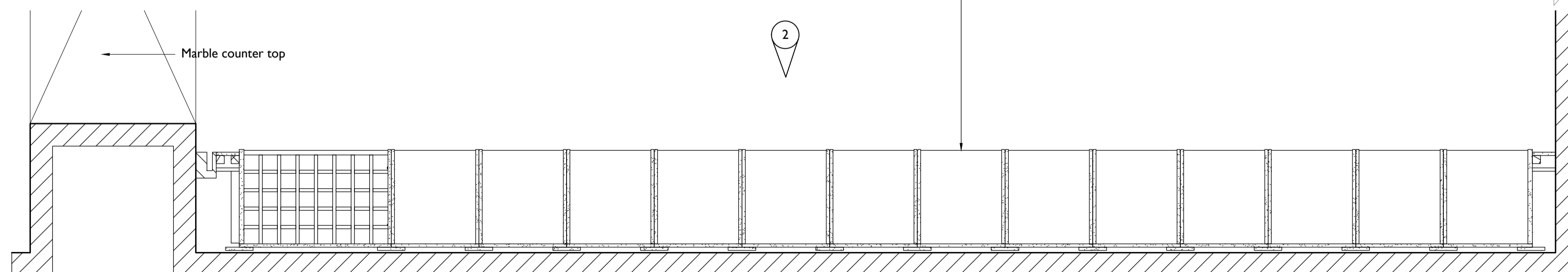
1
021 Proposed Basement Cloakroom Storage - East Elevation
1:20 @ A1



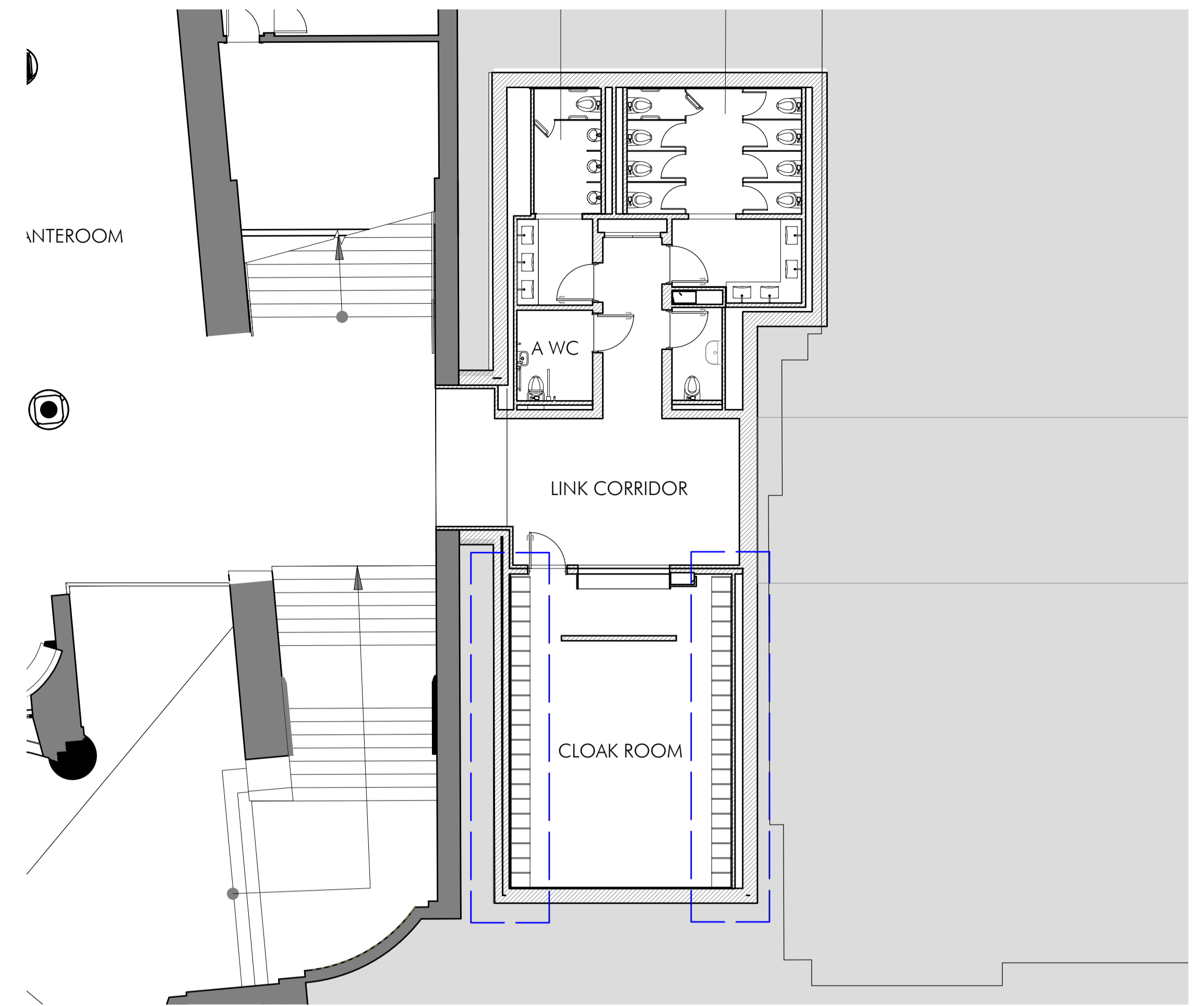
2
021 Proposed Basement Cloakroom Storage - West Elevation
1:20 @ A1



3
021 Proposed Basement Cloakroom Storage - East Plan
1:20 @ A1

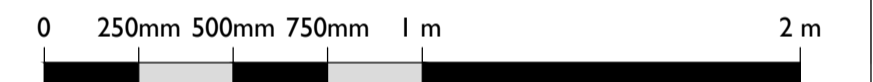


4
021 Proposed Basement Cloakroom Storage - West Plan
1:20 @ A1



5
010 Key Plan - Cloakroom Joinery As Shown on the Consented Drawings
1:100 @ A1

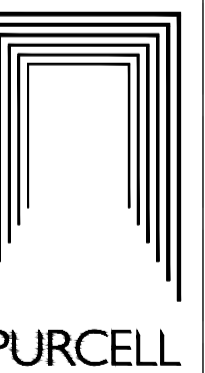
Chamesson limestone reveal
Purbeck blue marble countertop
Painted timber counter front



Notes:
Drawings are based on survey data and may not accurately represent what is physically present.
Do not scale from this drawing. All dimensions are to be verified on site before proceeding with the work.
All dimensions are in millimeters unless noted otherwise.
Purcell shall be notified in writing of any discrepancies.

PL08	01/03/2024	AS	MM	Issued for Planning
REV	DATE	BY	CHK	DESCRIPTION

CLIENT
The National Gallery
PROJECT
NG200: Welcome
JOB NUMBER
241288



TITLE
**Proposed Storage Joinery
Basement Cloakroom**

SIZE	SCALE	LAST REVISED	DRAWN	CHECKED
A1L		01/03/2024	AS	MM

REV
PL08 Issued for Planning

DRAWING NAME
NG200-RCL-Ss_40_15_44-SW0-DG-X-00021