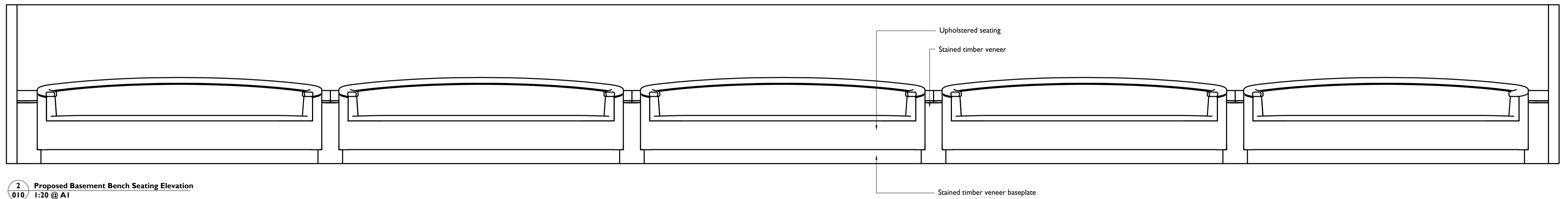
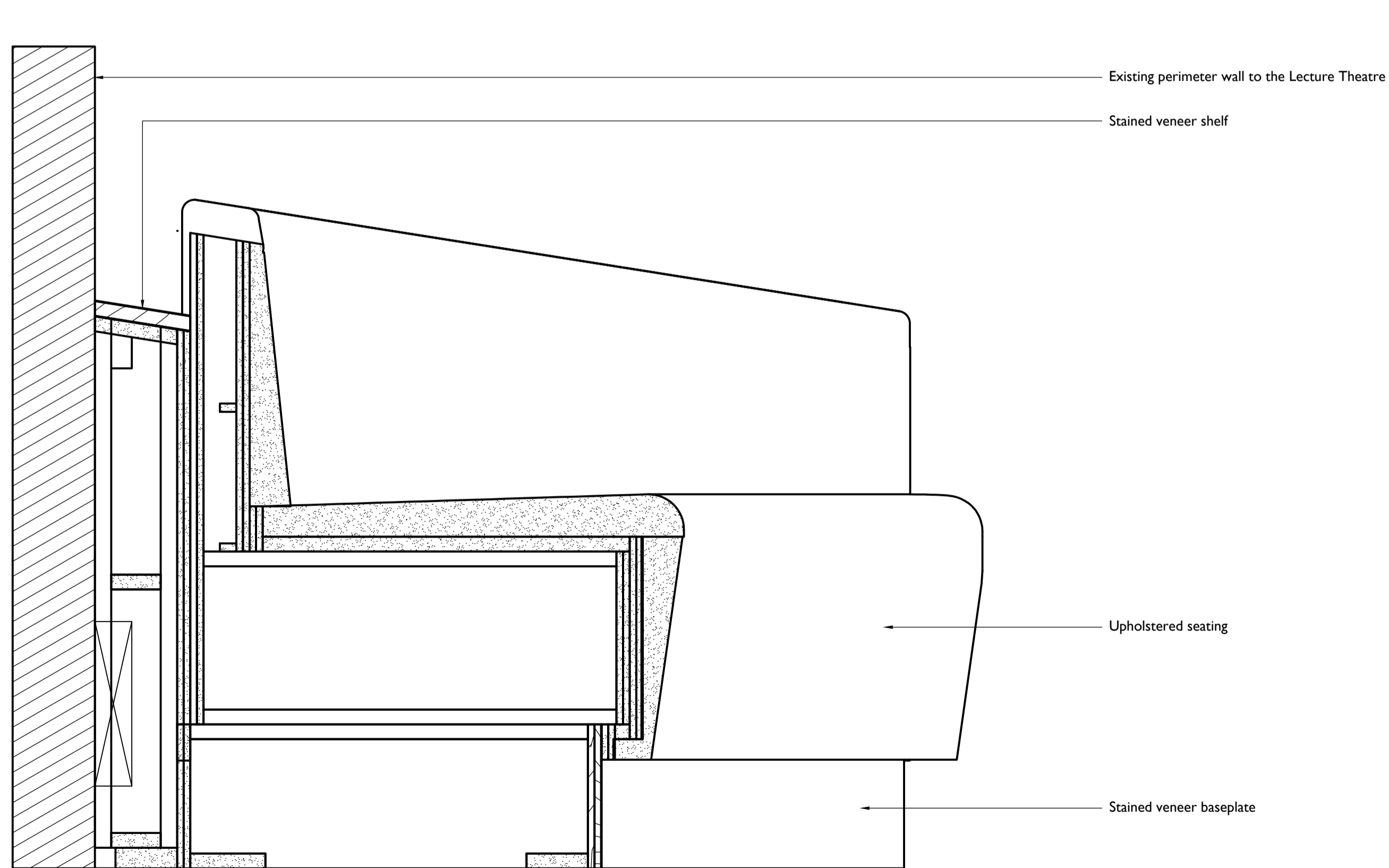


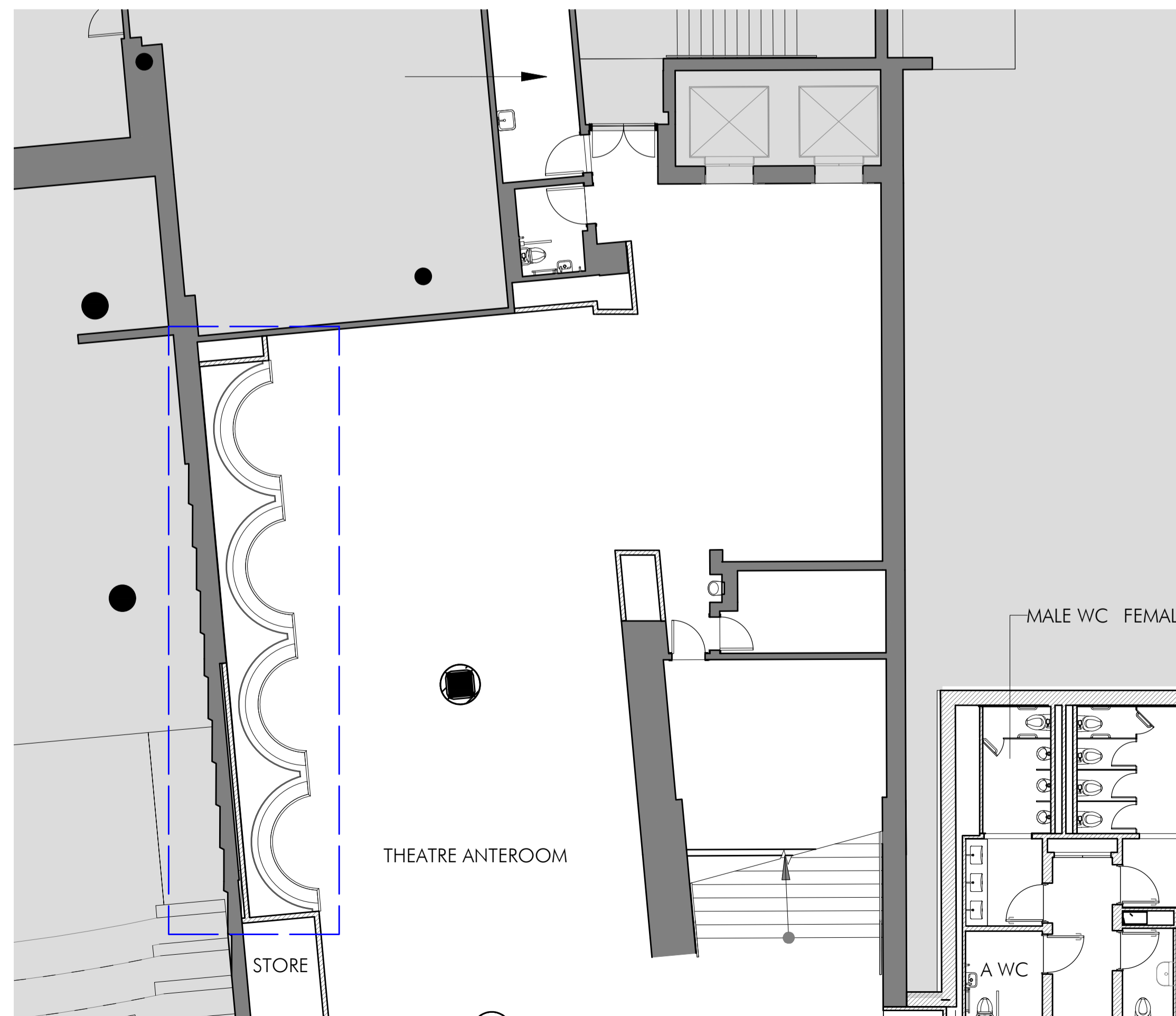
1 Proposed Basement Bench Seating Plan
010 1:20 @ A1



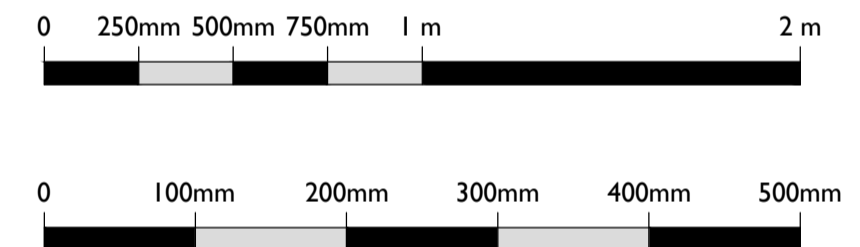
2 Proposed Basement Bench Seating Elevation
010 1:20 @ A1



3 Proposed Basement Bench Seating Section A-A
010 1:5 @ A1



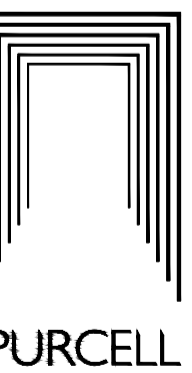
4 Key Plan - Benches As Shown on the Consented Drawings
010 1:100 @ A1



Notes:
 Drawings are based on survey data and may not accurately represent what is physically present.
 Do not scale from this drawing. All dimensions are to be verified on site before proceeding with the work.
 All dimensions are in millimeters unless noted otherwise.
 Purcell shall be notified in writing of any discrepancies.

PL08	01/03/2024	AS	MM	Issued for Planning
REV	DATE	BY	CHK	DESCRIPTION

CLIENT
The National Gallery
 PROJECT
NG200: Welcome
 JOB NUMBER
241288



TITLE
Proposed Bench Seating
Lecture Theatre Anteroom

SIZE	SCALE	LAST REVISED	DRAWN	CHECKED
A1L		01/03/2024	AS	MM

REV
PL08 Issued for Planning

DRAWING NAME
NG200-RCL-Ss_40_15_44-SWBI-DG-X-00010